

UFBK-M 2-PE- 24AC-ST


Discontinued item

Order No.: 2817042

<http://eshop.phoenixcontact.de/phoenix/treeViewClick.do?UID=2817042>

Protective plug UFBK-M with two conductor protection in floating signal circuits. Nominal voltage: 24 V AC

Commercial data

GTIN (EAN)	 4 017918 129811
Note	Made-to-order
sales group	J221
Pack	10 pcs.
Customs tariff	85363010

Product notes

WEEE/RoHS-compliant since:
07/14/2006



<http://www.download.phoenixcontact.com>
Please note that the data given here has been taken from the online catalog. For comprehensive information and data, please refer to the user documentation. The General Terms and Conditions of Use apply to Internet downloads.

Certificates / Approvals

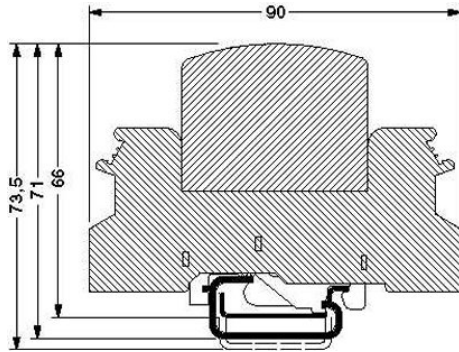


Certification

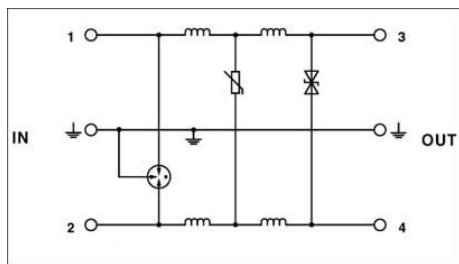
GOST

Diagrams/Drawings

Dimensioned drawing



Circuit diagram



Address

PHOENIX CONTACT Deutschland GmbH
Flachmarktstr. 8
32825 Blomberg, Germany
Phone +49 5235 3 12000
Fax +49 5235 3 41200
<http://www.phoenixcontact.de>



© 2011 Phoenix Contact
Technical modifications reserved;