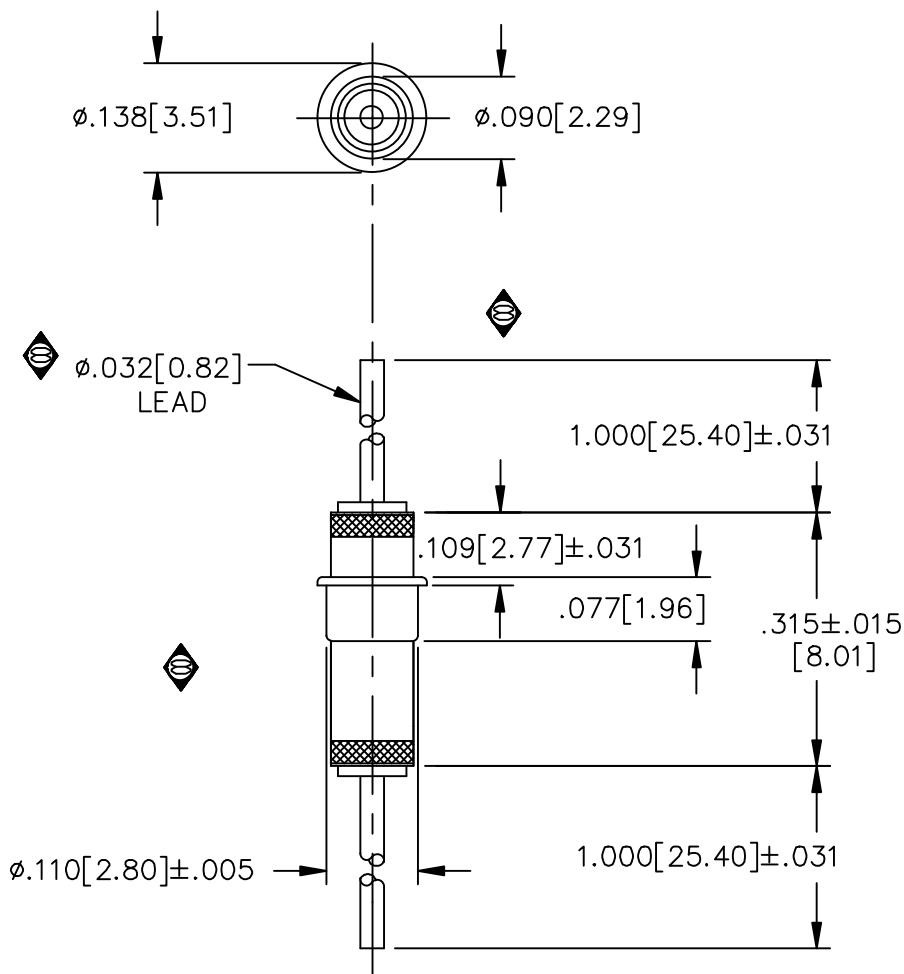
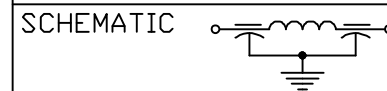


NOTES:

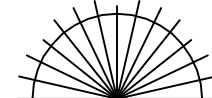
1. SUGGESTED MOUNTING HOLE = $\phi.120$
2. MAXIMUM INSTALLATION TEMP.: 500°F



LEAD FINISH	SOLDER
EYELET FINISH	SOLDER
CAPACITANCE	1500pF MIN.
TEMP. RANGE	-55°C TO 125°C
CURRENT	10 AMP MAX.
WORKING VOLTAGE	85°C 350 VDC MAX. 125°C 200 VDC MAX.
D.C. RESISTANCE	.01ohms MAX.
MIN. I.L. PER MIL-STD-220 AT 25°C NO LOAD	
FREQ. MHz	I.L. (db)
1	N/A
10	5
100	40
1 GHz/10GHz	70



MARKING:
 PART: NONE
 BAG: SCI 1251-001
 DATE CODE
 LOT #
 QTY./BAG (200 MAX.)

	08	07	06	REV. NO.	TOLERANCES UNLESS OTHERWISE SPECIFIED	 SPECTRUM CONTROL INC.	FAIRVIEW PENNSYLVANIA	
	CN 15735-CPD	CN 201258	CN 184991	CHANGE NOTICE	Fractions $\pm 1/64$		Dwn. KAUFFMAN	Description
					Dec. .xx \pm		Date 11-8-04	EYELET FILTER
					Dec. .xxx $\pm .010$		Engr STRUCHEN	1251-001
					Angles $\pm 0^\circ 30'$		Scale NONE	
					CODE IDENT. NO. DLSP2			