

THIS DRAWING IS UNPUBLISHED.

RELEASED FOR PUBLICATION

© COPYRIGHT

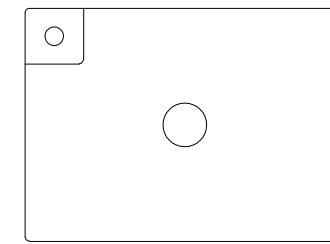
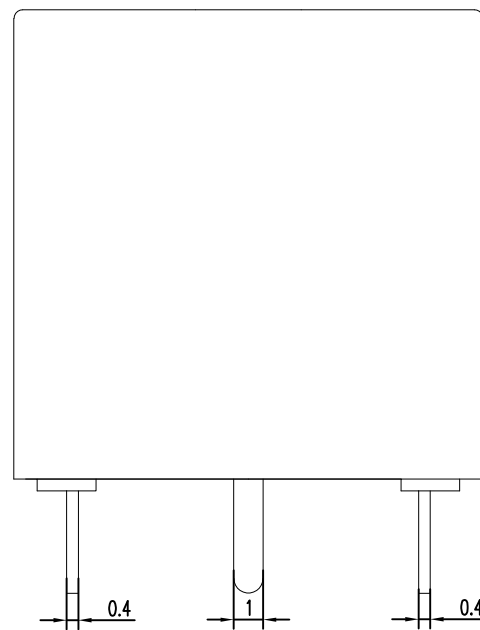
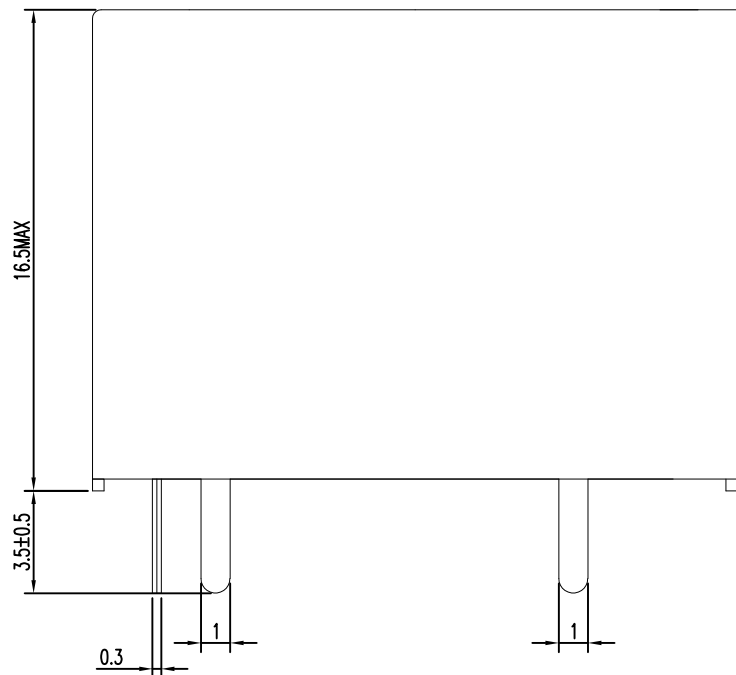
ALL RIGHTS RESERVED.

LOC
HB

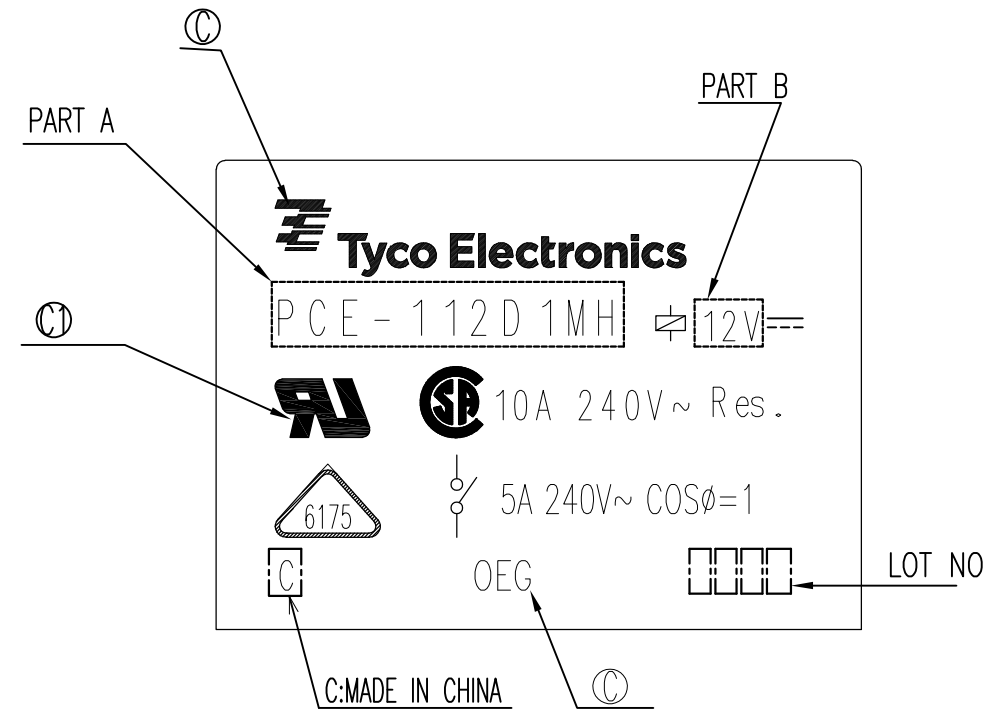
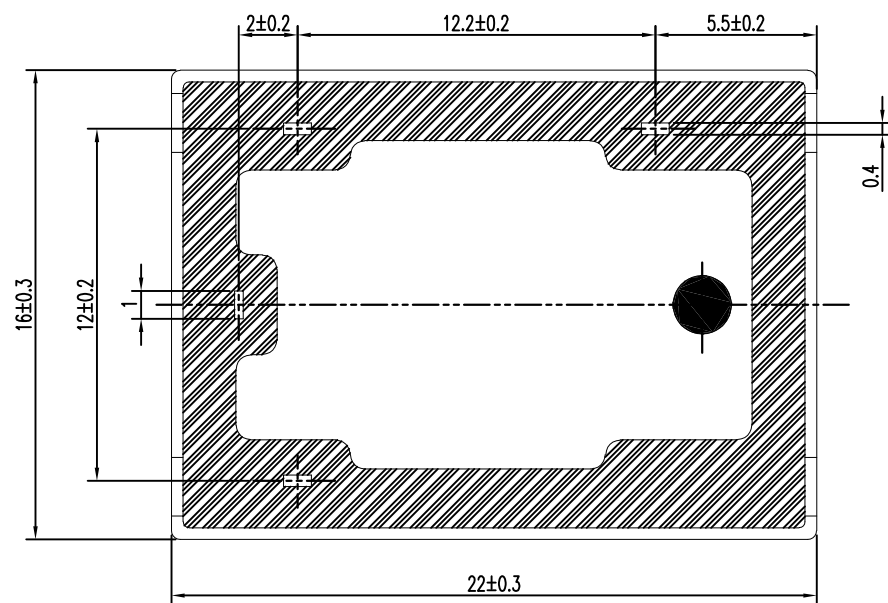
DIST

REVISIONS

P	LTR	DESCRIPTION	DATE	DWN	APVD
	C2	REVISED PER ECO-11-005140	26MAR11	RK	HMR



MARKING SURFACE



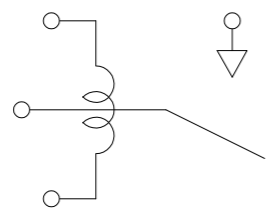
VIEW A
(MARKING DETAIL)

DIMENSIONS: mm	TOLERANCES UNLESS OTHERWISE SPECIFIED: 0 PLC ± 1 PLC ± 2 PLC ± 3 PLC ± 4 PLC ±	DWN	H.SASAKI		
		CHK	N.FUNAYAMA		
MATERIAL SEE MATERIAL TABLE	FINISH	APVD	A.NAGAI		
		PRODUCT SPEC	PCE-112D1M,000 CUSTOMER DRAWING		
		SIZE	GAGE CODE	DRAWING NO	RESTRIC TO
		A3		1419125-1	
CUSTOMER DRAWING		SCALE	SHEET	REV	
		2.5:1	1 OF 2	C2	

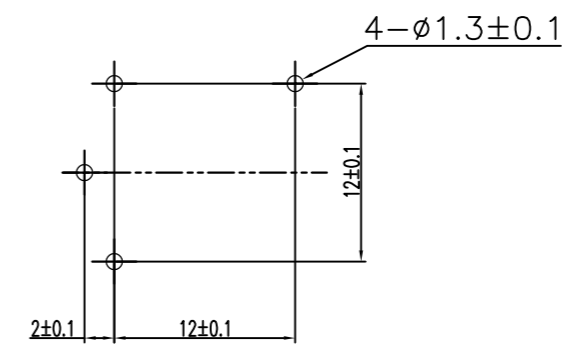


LOC HB	DIST	REVISIONS						
		P	LTR	DESCRIPTION	ECN	DATE	DWN	APVD

CIRCUIT DIAGRAM (BOTTOM VIEW)



DRILLING DIAGRAM (BOTTOM VIEW)



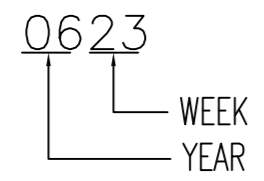
(B1)	1-1461394-4	48V	PCE-148D1M	l
(B1)	1461394-8	9V	PCE-109D1MH	k
(B1)	1461394-7	9V	PCE-109D1M	j
(B1)	1461394-2	6V	PCE-106D1M	i
(A1)	1721091-2	5V	PCE-105D1MH	h
(A1)	1721091-1	5V	PCE-105D1M	g
	2-1419125-0	24V	PCE-124D1MH	f
	1-1419125-7	24V	PCE-124D1M	e
	1-1440008-5	18V	PCE-118D1MH	d
	1-1440008-4	18V	PCE-118D1M	c
	1419125-3	12V	PCE-112D1MH	b
	1419125-1	12V	PCE-112D1M	a
	PART NO	PART B	PART A	ITEM

RELAY TYPE

		UV RESIN	UV SEAL (BASE)	16
		EPOXY RESIN	SEAL (CASE & BASE)	15
	V-0	PBT	CASE	14
CLASS F		MW79	MAGNETIC WIRE	13
		Cu ALLOY	COIL TERMINAL B	12
		Cu ALLOY	COIL TERMINAL A	11
		Ag ALLOY	M/B CONTACT	10
		Ag ALLOY	MOVABLE CONTACT	9
		Cu ALLOY	DUMMY TERMINAL	8
		Cu ALLOY	M TERMINAL	7
		Cu ALLOY	MOVABLE SPRING	6
	V-0	PET	BOBBIN	5
	V-0	PET	BASE	4
		STEEL	CORE	3
		STEEL	ARMATURE	2
		STEEL	YOKE	1
NOTE	UL-94	MATERIAL	DESCRIPTION	ITEM

NOTE

1.LOT NO. SYSTEM AS FOLLOWING:



GENERAL TOLERANCE

Diagram dimension	Tolerance
0.99mm max.	±0.1mm
1 - 2.99mm	±0.2mm
3mm min.	±0.3mm

DIMENSIONS: mm		TOLERANCES UNLESS OTHERWISE SPECIFIED:		DWN	H.SASAKI	TE Connectivity							
		0 PLC ± 1 PLC ± 2 PLC ± 3 PLC ± 4 PLC ±		CHK	N.FUNAYAMA								
MATERIAL SEE MATERIAL TABLE		FINISH		APVD	A.NAGAI	PCE-112D1M,000 CUSTOMER DRAWING							
				PRODUCT SPEC									
				APPLICATION SPEC		SIZE	A3	GAGE CODE		DRAWING NO	1419125-1	RESTRICT TO	
				WEIGHT		SCALE		2.5:1	SHEET		2 OF 2	REV	C2
CUSTOMER DRAWING													