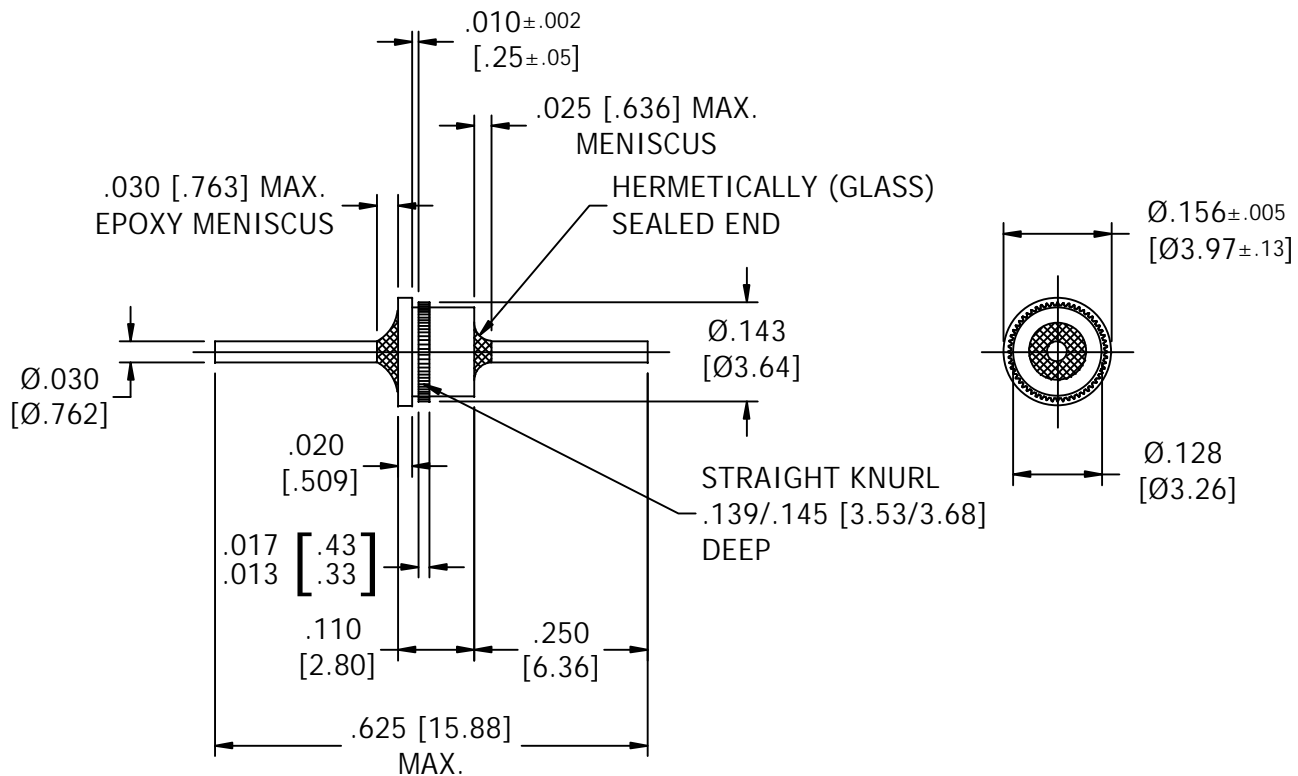
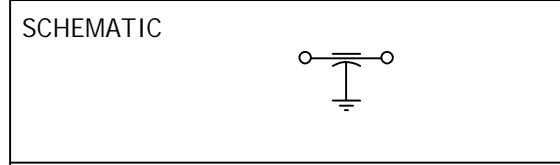


NOTES:

1. THIS IS A LEAD FREE PRODUCT.
2. MAX. REFLOW IS 245°C FOR 5 SECONDS.



LEAD FINISH	GOLD
CASING FINISH	GOLD
CAPACITANCE	100 pF +100 \ -0%
TEMP. RANGE	-55°C TO +125°C
CURRENT	10 AMPS MAX.
WORKING VOLTAGE	125°C 200 VDC MAX.
DC RESISTANCE	.01 Ohms MAX.



MARKING:

PART: NONE
 PACKING:
 BAG: SCIF-9925-101
 DATE CODE
 LOT NO.
 QTY / BAG (200 MAX.)



CN 58658-ENG 00 REV. NO. CHANGE NOTICE	UNLESS OTHERWISE SPECIFIED DIMENSIONS ARE IN INCHES [MILLIMETERS] DO NOT SCALE THIRD ANGLE PROJECTION	TOLERANCES UNLESS OTHERWISE SPECIFIED Dec. .x ±	SPECTRUM CONTROL INC. Dwn. Hassett Date 4-21-11 Engr. Devine Sheet 1 of 1	FAIRVIEW PENNSYLVANIA Description FEED THRU FILTER SCIF-9925-101
		Dec. .xx ±		
		Dec. .xxx ± .005 [.13]		
		Angles ± 0° 30"		
CODE IDENT. NO. 0LSP2				

Quality Products From The Specialists In Electro-Magnetic Compatibility