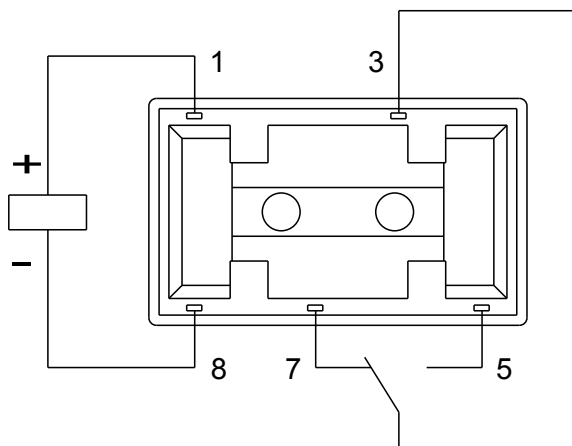
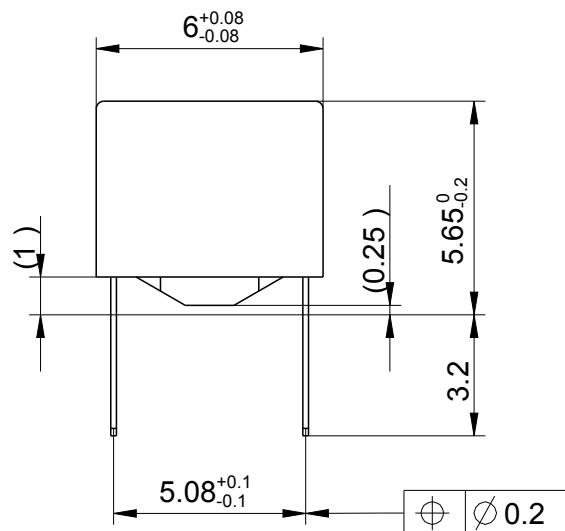
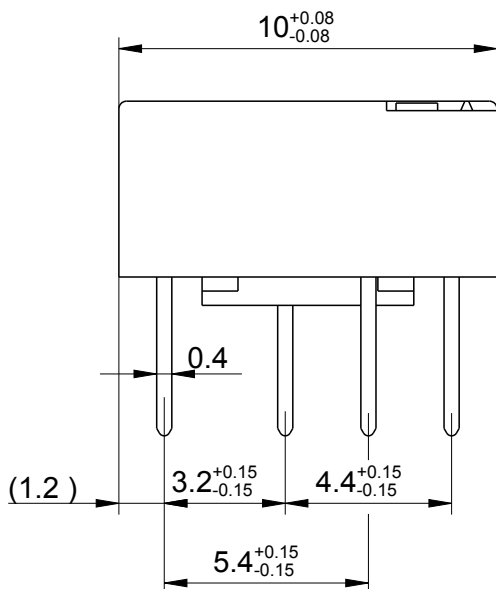


LOC	DIST	REVISIONS				
P	LTR	DESCRIPTION	DATE	DWN	APVD	
HJ	-	A2	REVISED PER ECO-11-005150	25MAR2011	UKo	AK



Relay - bottom view



XX = Relay type
zz = nominal voltage
YYWW = Date code

RELEASED FOR PUBLICATION

THIS DRAWING IS UNPUBLISHED.

BY TYCO ELECTRONICS CORPORATION. ALL RIGHTS RESERVED.

DRAWING ALIAS

DIMENSIONS: mm	DWN UKo 9193	18Jun2008	MATERIAL	FINISH		
	CHK HD 9121	18Jun2008				
TOLERANCES UNLESS OTHERWISE SPECIFIED: DIN 7168-m	APVD HD 9121	18Jun2008			NAME	IMC-Relay THT (1 Form C) Dimensions
0 PLC ±-	PRODUCT SPEC	-	SIZE	CAGE CODE	DRAWING NO	RESTRICTED TO
1 PLC ±-	APPLICATION SPEC	-	A4	00779	C-1462042-1	-
2 PLC ±-	WEIGHT	-	CUSTOMER DRAWING		SCALE	SHEET
3 PLC ±-					5:1	1 OF 1
4 PLC ±-						REV
ANGLES ±-						A2