



# New Product Announcement

---

## AP7344

## AP7344 – Dual 300mA High PSRR Low Noise LDO

The AP7344 is a dual low dropout regulator with high output voltage accuracy, low  $R_{DS(ON)}$ , high PSRR, low output noise and low quiescent current.

The AP7344 is available in fixed output voltage variants from 1.2V to 3.6V in different combinations. It's available with an output discharge function (D-suffix) and without.

The AP7344 provides high PSRR (75dB @ 1kHz) without the need for an external bypass capacitor and is ideal for noise sensitive applications such as audio, video and RF subsystems.

It's low power consumption combined with excellent line and load transient responses, make the AP7344 ideally suited for low power handheld communication equipment.

The AP7344 is packaged in a X2-DFN1612-8 package and allows for smallest footprint and density PCB layout.



### The Diodes' Advantage

- **Wide Input Voltage, 1.7V to 5.25V**  
Offers lower operation down to 1.7V supporting operation over whole range of Li-on battery cells.
- **High PSRR (75dB @ 1kHz) and low noise (60 $\mu$ Vrms @ 10Hz - 100kHz)**  
Suitable for noise sensitive applications such as audio, video and RF sub-systems
- **1.0% Output Accuracy @ room temp, 1.5% over -40 to 85°C**  
Maintains accuracy over all conditions
- **Miniaturized package, DFN1612-8 (1.6mmx1.2mmx0.4mm)**  
The small package dimensions and thin height meets small footprint and low profile requirements of the latest portable equipment
- **Low Quiescent Current at 50 $\mu$ A**  
Offers power saving in low-power and battery operated products

### Circuit Functions

- Enable for shutdown with/without auto-discharge
- Fold-back short protection

### Applications

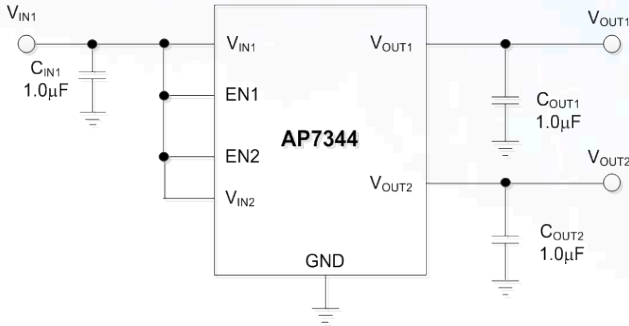
- Smart phone/tablets
- Portable video
- Wireless adaptor/RF supply
- Cameras
- Portable media player
- Wireless communication



# New Product Announcement

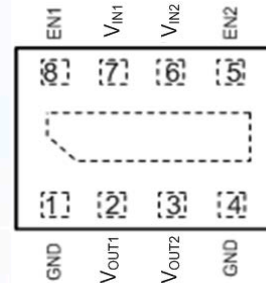
## AP7344

### Typical Application Circuit



### Package

#### Top View



#### X2-DFN1612-8

Part Number	VIN (V)	VOUT1 (V)	VOUT2 (V)	IOUT (mA)	VDROP @ Full Load (mV)	IQ (µA)	PSRR @1kHz (dB)	Noise (µVrms)	Output Accuracy (%)	Enable	BYPAS S Cap	Package
AP7344 AP7344D	1.7 to 5.25	1.2, 1.5, 1.8, 2.5, 2.8, 2.85, 3.0, 3.3, 3.6	1.2, 1.5, 1.8, 2.5, 2.8, 2.85, 3.0, 3.3	300/300	300/300	50	75	60	1	Yes	No	DFN1612-8

### AP7344X XXXXXX RH4 - 7

