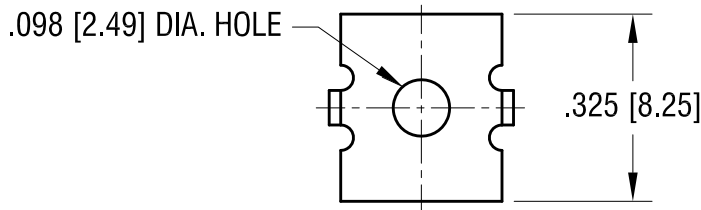
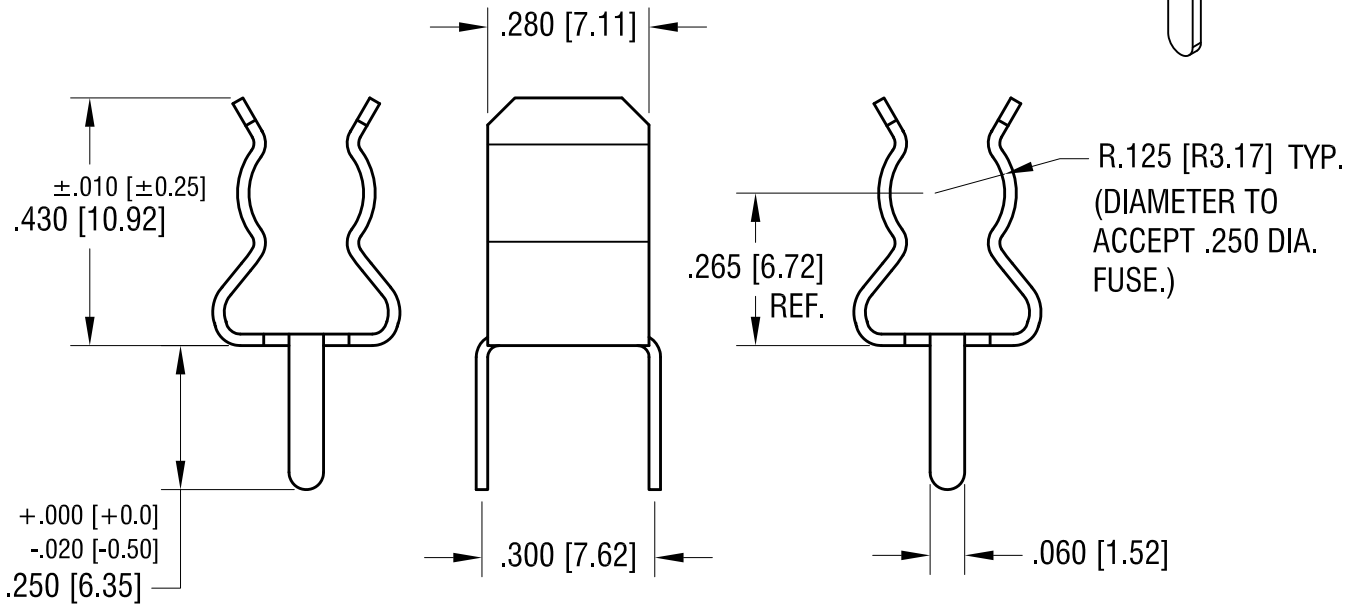
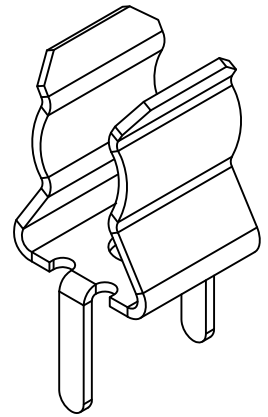
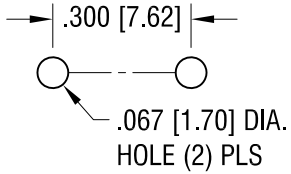


THIS DOCUMENT IS THE PROPERTY OF
KEYSTONE ELECTRONICS CORP. AND
SHALL NOT BE REPRODUCED, DISTRIBUTED
OR USED AS A BASIS FOR MANUFACTURE
WITHOUT PRIOR WRITTEN PERMISSION
FROM KEYSTONE ELECTRONICS CORP.

MOUNTING DETAIL



KEYSTONE ELECTRONICS CORP.

www.keyelco.com • ASTORIA, N.Y. 11105-2017 • Tel (718) 956-8900

PART NAME		3AG PC FUSE CLIP	
MATERIAL		.020 [0.50] TH'K BRASS	
FINISH	DRN BY	BOONE	DATE
MATTE TIN PLATE	APP'D	LN	11.03.00
TOLERANCES		INCH	[MM]
DECIMAL		± .005	[± 0.15]
ANGULAR		± 1°	
UNLESS OTHERWISE SPECIFIED		CODE	C
DATE		DWG NO.	3511

6.08.09	CHANGE AS PER ECN 09-058	A
DATE	DESCRIPTION	REV.