

# CKCL22X7R1H102M085AK

TDK Item Description : CKCL22X7R1H102MT\*\*\*S

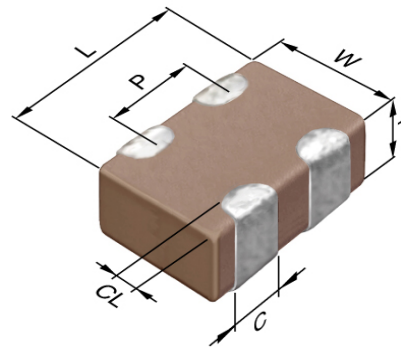


## Application & Main Feature

Commercial Grade ( 2 in 1 Array )

## Series

CKCL22(2012) [EIA CC0805]



## Dimensions

L 2.00mm +/-0.15mm  
 W 1.25mm +/-0.15mm  
 T 0.85mm +/-0.15mm  
 C 0.45mm Nom.  
 P 1.00mm Nom.

## Temperature Characteristic

X7R (-55 to 125 degC +/-15%)

## Rated Voltage

1H (50Vdc)

## Capacitance

1nF

## Capacitance Tolerance

M (+/-20%)

## Dissipation Factor

3% Max.

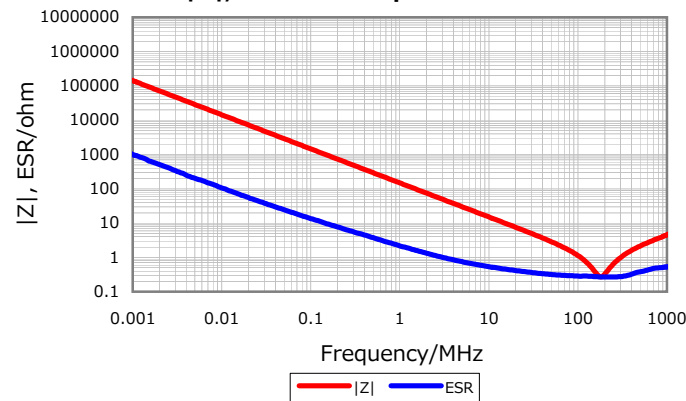
## Insulation Resistance

10Gohm Min.

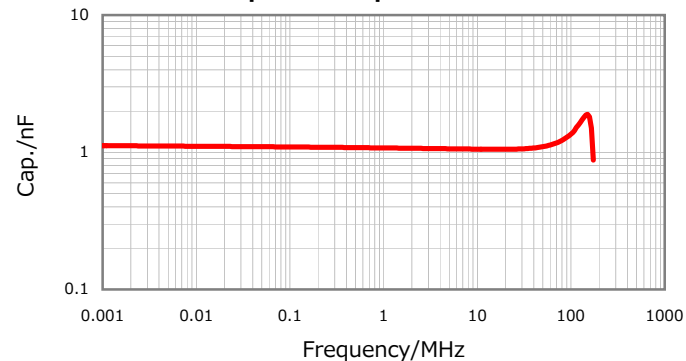
## AEC-Q200

Not Applicable

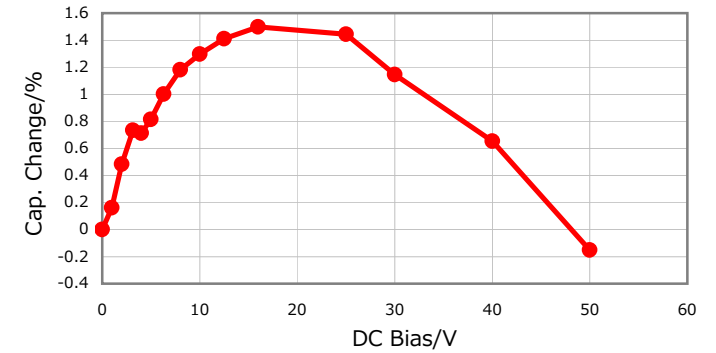
## |Z|, ESR vs. Freq. Characteristics



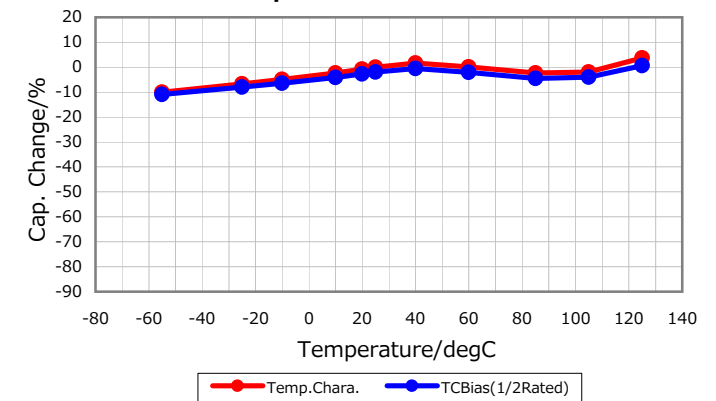
## Cap. vs. Freq. Characteristic



## DC Bias Characteristic



## Temperature Characteristics



## Ripple Temperature Rise Characteristics

