

29F0418-0SR-10

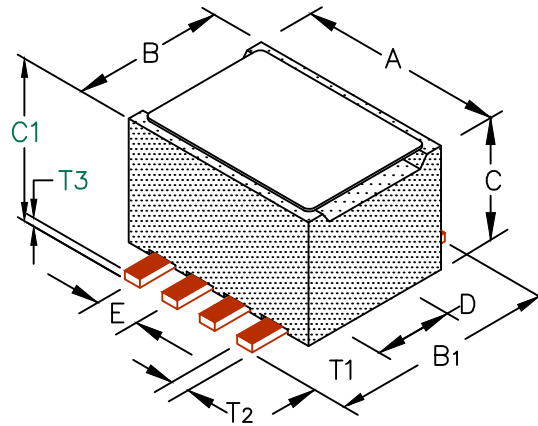
UNCONTROLLED DOCUMENT

PHYSICAL DIMENSIONS:

A	6.10 [.240]	± 0.13 [.005]
B	4.50 [.177]	+ 0.08 [.003] - 0.10 [.004]
B1	7.04 [.277]	± MAX
C	2.92 [.115]	± 0.08 [.003]
C1	3.56 [.140]	± MAX
D	2.24 [.088]	± 0.08 [.003]
E	1.27 [.050]	± 0.13 [.005]

WIRE DIMENSIONS:

T1	2.16 [.085]	± 0.25 [.010]
T2	0.50 [.020]	± TYP.
T3	0.25 [.010]	± TYP.



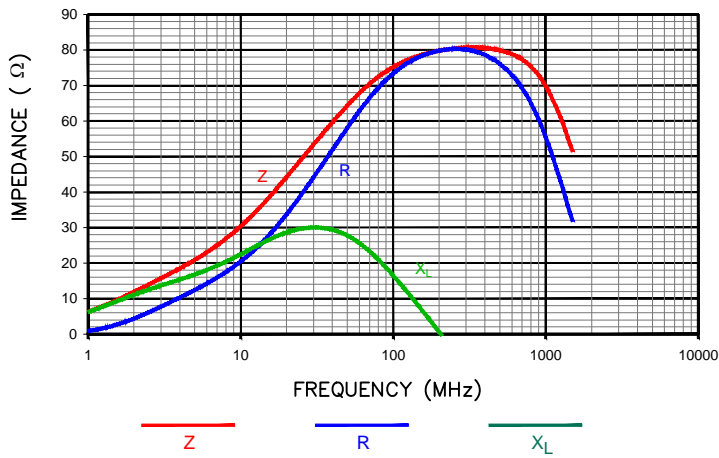
ELECTRICAL CHARACTERISTICS:			
Z @ 100MHz (Ω)	DCR (Ω)	Rated Current	
Nominal	83		
Minimum	63		
Maximum	104	0.01	6,000 mA

NOTES: UNLESS OTHERWISE SPECIFIED

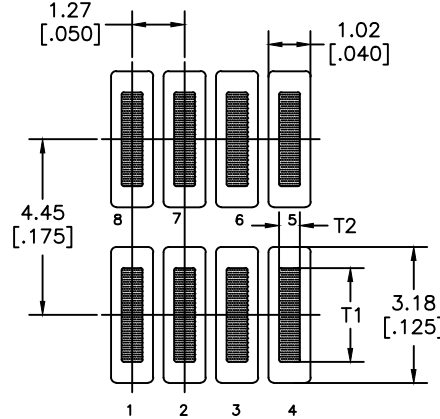
1. TAPED AND REELED per CURRENT EIA SPECIFICATIONS, 13" REELS, 900 PCS/REEL.
2. COMPONENTS SHOULD BE ADEQUATELY PREHEATED BEFORE SOLDERING.
3. REF. CARRIER TAPE SPECIFICATION
4. TERMINATION FINISH IS 100% TIN. # CART418-03.
5. OPERATION TEMPERATURE (INCLUDING SELF-HEATING): -40 ~ +125°C.

RoHS

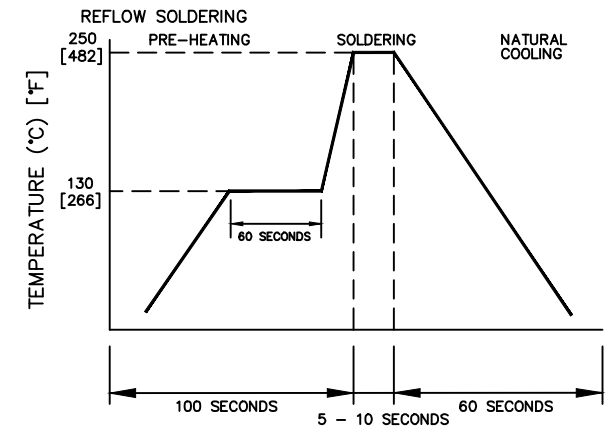
|Z|, R, AND X vs. FREQUENCY



LAND PATTERNS FOR REFLOW SOLDERING



RECOMMENDED SOLDERING CONDITIONS



DIMENSIONS ARE IN mm (INCHES).				This print is the property of Laird Tech. and is loaned in confidence subject to return upon request and with the understanding that no copies shall be made without the written consent of Laird Tech. All rights to design or invention are reserved.	
F	UPDATE COMPANY LOGO	04/27/15	QIU	PROJECT/PART NUMBER: 29F0418-0SR-10	REV: F PART TYPE: ASSEMBLY DRAWN BY: JRK
E	ADD RATED VOLTAGE AND NOTE 5	08/30/12	QIU		
D	UPDATE COMPANY LOGO	10/21/08	JRK		
C	UPDATE COMPANY LOGO	05/01/07	JRK		
B	CORRECT T3 IN LANDPATTERN ADD ROHS CHANGE TOLS ON E DIMENSION	03/19/07	JRK		
A	ORIGINAL DRAFT	04/30/04	JRK	DATE: 04/30/04	SCALE: NTS SHEET: 1 of 2
REV	DESCRIPTION	DATE	INT	CAD # 29F0418-0SR-10-F-1	TOOL # -

