



---

The following document contains information on Cypress products. Although the document is marked with the name "Spansion" and "Fujitsu", the company that originally developed the specification, Cypress will continue to offer these products to new and existing customers.

#### **Continuity of Specifications**

There is no change to this document as a result of offering the device as a Cypress product. Any changes that have been made are the result of normal document improvements and are noted in the document history page, where supported. Future revisions will occur when appropriate, and changes will be noted in a document history page.

#### **Continuity of Ordering Part Numbers**

Cypress continues to support existing part numbers. To order these products, please use only the Ordering Part Numbers listed in this document.

#### **For More Information**

Please contact your local sales office for additional information about Cypress products and solutions.

#### **About Cypress**

Cypress (NASDAQ: CY) delivers high-performance, high-quality solutions at the heart of today's most advanced embedded systems, from automotive, industrial and networking platforms to highly interactive consumer and mobile devices. With a broad, differentiated product portfolio that includes NOR flash memories, F-RAM™ and SRAM, Traveo™ microcontrollers, the industry's only PSoC® programmable system-on-chip solutions, analog and PMIC Power Management ICs, CapSense® capacitive touch-sensing controllers, and Wireless BLE Bluetooth® Low-Energy and USB connectivity solutions, Cypress is committed to providing its customers worldwide with consistent innovation, best-in-class support and exceptional system value.

# 16-bit Proprietary Microcontroller

CMOS

## F<sup>2</sup>MC-16LX MB90495G Series

### MB90497G/F497G/F498G/V495G

#### ■ DESCRIPTION

The MB90495G Series is a general-purpose, high-performance 16-bit microcontroller. It was designed for devices like consumer electronics, which require high-speed, real-time process control. This series features an on-chip full-CAN interface.

In addition to being backwards compatible with the F<sup>2</sup>MC\* family architecture, the instruction set has been expanded to add support for high-level language instructions, expanded addressing mode, and enhanced multiply/divide and bit processing instructions. A 32-bit accumulator is also provided, making it possible to process long word (32-bit) data.

The MB90495G Series peripheral resources include on chip 8/10-bit A/D converter, UART (SCI) 0/1, 8/16-bit PPG timer, 16-bit I/O timer (16-bit free-run timer, input capture 0, 1, 2, 3 (ICU) ), and CAN controller.

\* : F<sup>2</sup>MC is the abbreviation of FUJITSU Flexible Microcontroller.

#### ■ FEATURES

- **Models that support operating temperature (T<sub>A</sub>) +125 °C**
- **Clock**
  - Built-in PLL clock multiplier circuit
  - Choose 1/2 oscillation clock or ×1 to ×4 multiplied oscillation clock (for a 4-MHz oscillation clock, 4 to 16 MHz) machine (PLL) clock

*(Continued)*

For the information for microcontroller supports, see the following web site.

<http://edevice.fujitsu.com/micom/en-support/>

# MB90495G Series

(Continued)

- Select subclock behavior (8.192 kHz)
- Minimum instruction execution time : 62.5 ns (operating with 4-MHz oscillation clock and  $\times 4$  PLL clock)
  
- **16-Mbyte CPU memory space**
  - 24-bit internal addressing
  - External access possible through selection of 8/16-bit bus width (external bus mode)
  
- **Optimum instruction set for controller applications**
  - Wealth of data types (Bit, Byte, Word, Long Word)
  - Wealth of addressing modes (23 different modes)
  - Enhanced signed multiply-divide instructions and RETI instruction functions
  - Enhanced high-precision arithmetic employing 32-bit accumulator
  
- **Instruction set supports high-level programming language (C) and multitasking**
  - Employs system stack pointer
  - Enhanced indirect instructions with all pointer types
  - Barrel shift instructions
  
- **Improved execution speed**
  - 4-byte instruction queue
  
- **Powerful interrupt feature**
  - Powerful 8-level, 34-condition interrupt feature
  
- **CPU-independent automated data forwarding**
  - Extended intelligent I/O service feature (EI<sup>2</sup>OS) : maximum 16 channels
  
- **Low-power consumption (Standby) Mode**
  - Sleep mode (CPU operation clock stopped)
  - Time-base timer mode (oscillation clock and subclock, time-base timer and watch timer only operational)
  - Watch mode (subclock and watch timer only operational)
  - Stop mode (oscillation clock and subclock stopped)
  - CPU intermittent operation mode
  
- **Process**
  - CMOS technology
  
- **I/O Ports**
  - Generic I/O ports (CMOS output) : 49
  
- **Timer**
  - Time-base timer, watch timer, watchdog timer : 1 channel
  - 8/16-bit PPG timer : four 8-bit channels, or two 16-bit channels
  - 16-bit reload timer : 2 channels
  - 16-bit I/O timer
    - 16-bit free-run timer : 1 channel
    - 16-bit input capture (ICU) : 4 channels

Generates interrupt requests by latching onto the count value of the 16-bit free-run timer with pin input edge detection

(Continued)

(Continued)

- **CAN Controller : 1 channel**
  - CAN specifications conform to versions 2.0A and 2.0B
  - 8 on-chip message buffers
  - Forwarding rate 10 kbps to 1 Mbps (with 16-MHz machine clock)
- **UART0 (SCI) /UART1 (SCI) : 2 channels**
  - All with full duplex double buffer
  - Use clock-asynchronous or clock-synchronous serial forwarding
- **DTP/external interrupt : 8 channels**
  - A module for launching extended intelligent I/O service (EI<sup>2</sup>OS) and generating external interrupts through external output
- **Delayed interrupt generation module**
  - Generates interrupt requests for switching tasks
- **8/10-bit A/D converter : 8 channels**
  - Switch between 8-bit and 10-bit resolution
  - Launch through external trigger input
  - Conversion time : 6.13  $\mu$ s (with 16-MHz machine clock, including sampling time)
- **Program batch function**
  - 2-address pointer ROM correction
- **Clock output function**

# MB90495G Series

## ■ PRODUCT LINEUP

Part Number		MB90F497G	MB90497G	MB90F498G	MB90V495G
Parameter					
Feature Classification		Flash ROM	Mask ROM	Flash ROM	Product Evaluated
ROM Size		64 Kbytes		128 Kbytes	—
RAM Size		2 Kbytes			6 Kbytes
Process		CMOS			
Package		LQFP64 (pin pitch 0.65 mm) , QFP64 (pin pitch 1.00 mm)			PGA256
Operating Power		4.5 V to 5.5 V			
Emulator power supply*		—			None
CPU Functions		Number of instructions : 351			
		Instruction bit length : 8-bit, 16-bit			
		Instruction length : 1 to 7 bytes			
		Data bit length : 1 bit, 8-bit, 16-bit			
		Minimum execution time : 62.5 ns (with 16-MHz machine clock)			
		Interrupt processing time : minimum 1.5 $\mu$ s (with 16-MHz machine clock)			
Low-power consumption (Standby) Mode		Sleep mode/watch mode/time-base timer mode/stop mode / CPU intermittent mode			
I/O Ports		General-purpose I/O ports (CMOS output) : 49			
Time-base timer		18-bit free-run counter Interrupt interval : 1.024 ms, 4.096 ms, 16.834 ms, 131.072 ms (with 4-MHz oscillation clock)			
Watchdog timer		Reset generation intervals : 3.58 ms, 14.33 ms, 57.23 ms, 458.75 ms (with 4-MHz oscillation clock)			
16-bit I/O Timer	16-bit free-run timer	Number of channels : 1 Interrupts from overflow generation			
	Input capture	Number of channels : 4 Maintenance of free-run timer value through pin input (rising, falling or both edges)			
16-bit reload timer		Number of channels : 2 16-bit reload timer operation Count clock interval : 0.25 $\mu$ s, 0.5 $\mu$ s, 2.0 $\mu$ s (with 16-MHz machine clock) External event count enabled			
Watch timer		15-bit free-run counter Interrupt intervals : 31.25 ms, 62.5 ms, 12 ms, 250 ms, 500 ms, 1.0 s, 2.0 s (with 8.192-kHz subclock)			
8/16-bit PPG timer		Number of channels : 2 (two 8-bit channels can be used) Two 8-bit or one 16-bit channel PPG operation possible Free interval, free duty pulse output possible Count clock : 62.5 ns to 1 $\mu$ s (with 16-MHz machine clock)			

\* : The S2 dipswitch setting when using the MB2145-507 emulation baud. For details, see the MB2145-507 hardware manual (2.7 Emulator Power Pin) .

(Continued)

# MB90495G Series

(Continued)

Parameter \ Part Number	MB90F497G	MB90497G	MB90F498G	MB90V495G
Delayed interrupt generation module	Module for delayed interrupt generation switching tasks Used in real-time OS			
DTP/external interrupt circuit	Number of inputs : 8 Starting by rising edge, falling edge, "H" level input, or "L" level input, external interrupts or extended intelligent I/O service (EI <sup>2</sup> OS) can be used			
8/10-bit A/D converter	Number of channels : 8 Resolution : set 10-bit or 8-bit Conversion time : 6.13 μs (with 16-MHz machine clock, including sampling time) Continuous conversion of multiple linked channels possible (up to 8 channels can be set) One-shot conversion mode : converts selected channel only once Continuous conversion mode : converts selected channel continuously Stop conversion mode : converts selected channel and suspends operation repeatedly			
UART0 (SCI)	Number of channels : 1 Clock-synchronous forwarding : 62.5 kbps to 2 Mbps Clock-asynchronous forwarding : 1,202 bps to 62,500 bps Transmission can be performed by two-way serial transmission or by master/slave connection			
UART1 (SCI)	Number of channels : 1 Clock-synchronous forwarding : 62.5 kbps to 2 Mbps Clock-asynchronous forwarding : 9,615 bps to 500 kbps Transmission can be performed by two-way serial transmission or by master/slave connection			
CAN	Compliant with CAN specification versions 2.0A and 2.0B Send/receive message buffers : 8 Forwarding bit rate : 10 kbps to 1 Mbps (with 16-MHz machine clock)			

## ■ PACKAGES AND CORRESPONDING PRODUCTS

Package	MB90F497G	MB90497G	MB90F498G
FPT-64P-M06	○	○	○
FPT-64P-M23	○	○	○

○ : available × : not available

Note : See "■ PACKAGE DIMENSIONS" for details.

## ■ PRODUCT COMPARISON

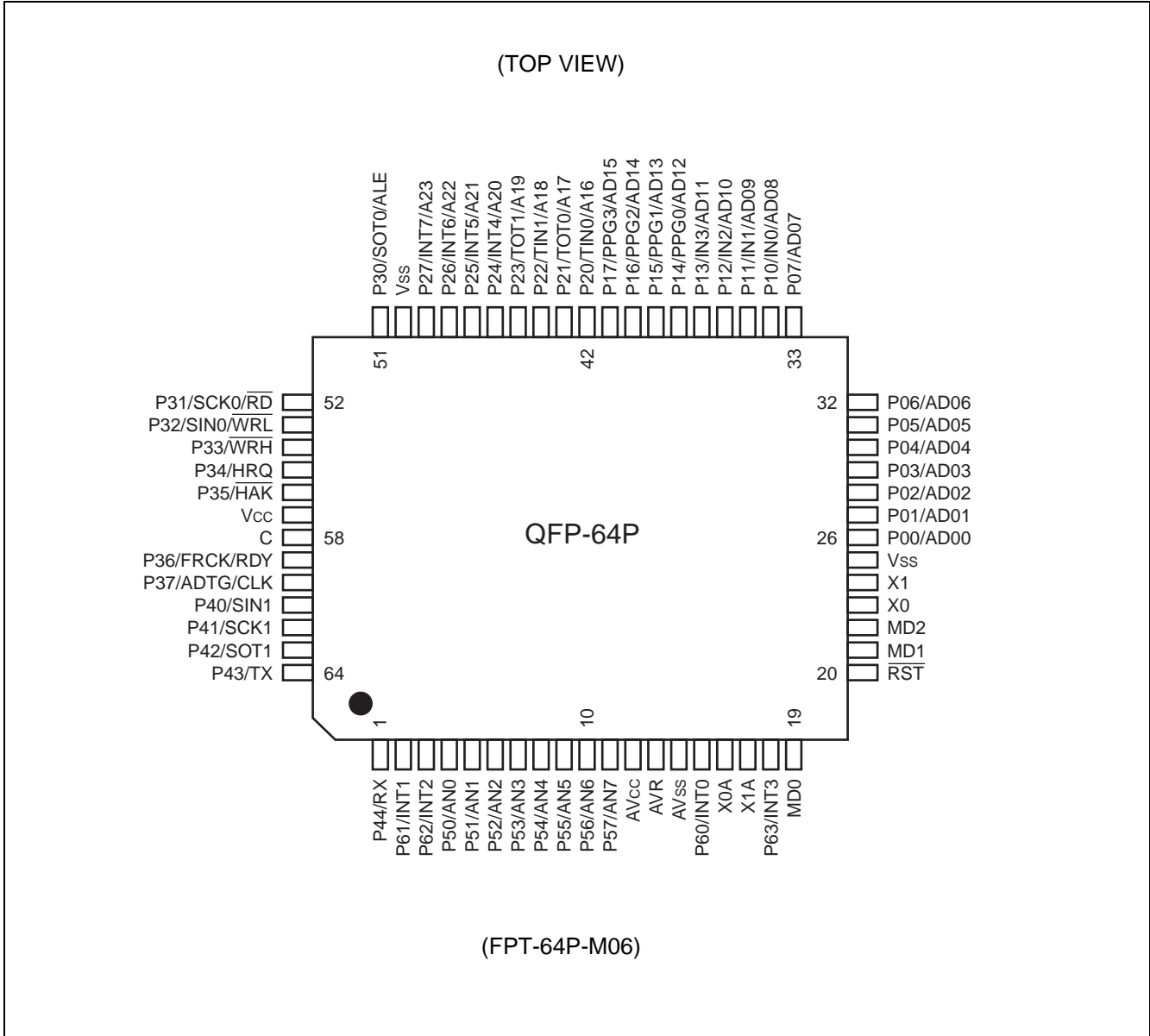
### Memory Size

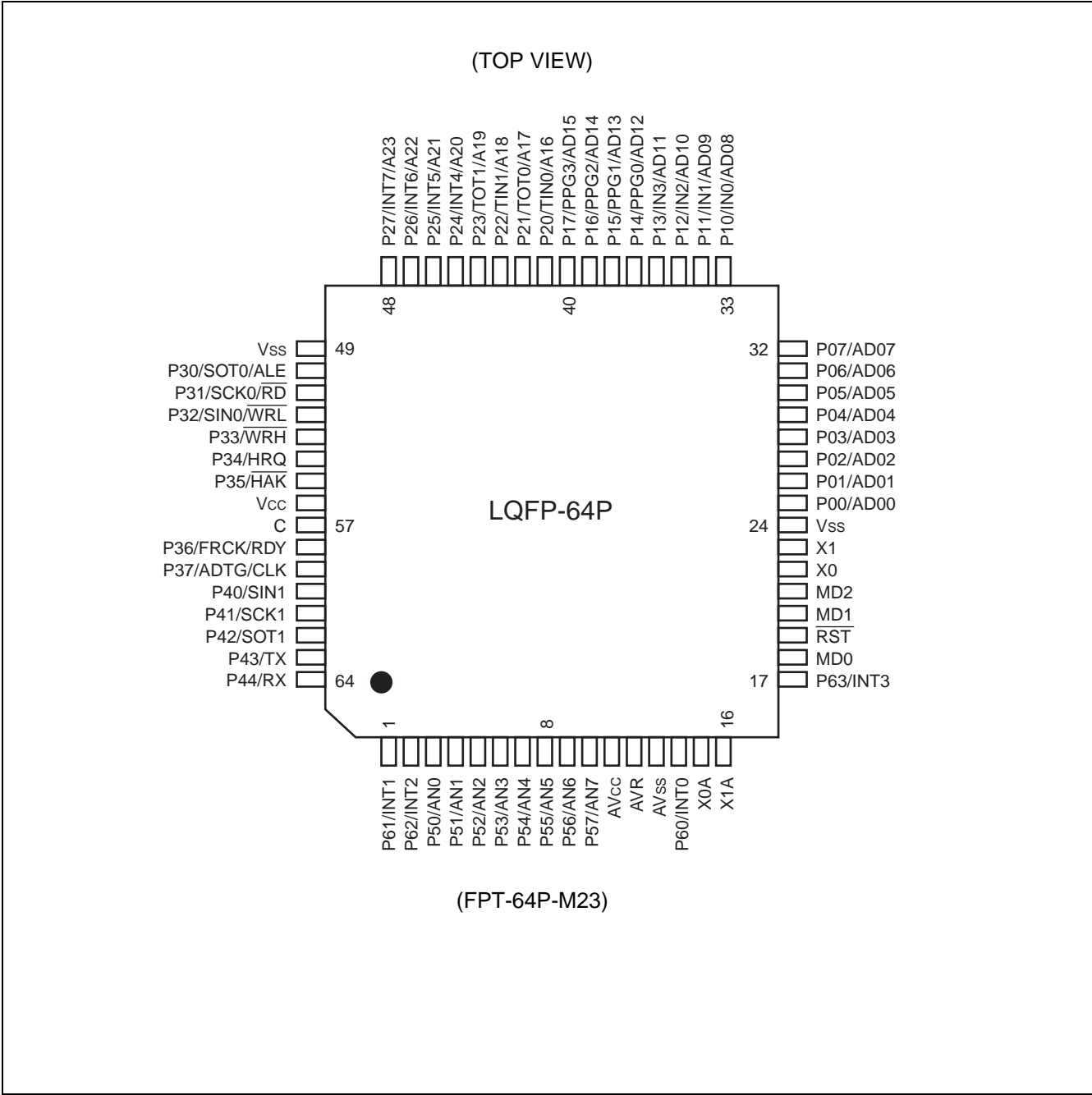
When evaluating with evaluation chips and other means, take careful note of the different between the evaluation chip and the chip actually used. Take particular note of the following.

- While the MB90V495G does not feature an on-chip ROM, the dedicated development tool can be used to achieve operation equivalent to a product with built-in ROM. Therefore, the ROM size is configured by the development tool.
- On the MB90V495G, the FF4000<sub>H</sub> to FFFFFFF<sub>H</sub> image is only visible in the 00 bank, and the FE0000<sub>H</sub> to FF3FFF<sub>H</sub> is only visible in the FE and FF banks (configurable on development tool) .
- On the MB90F497G/F498G/497G, the FF4000<sub>H</sub> to FFFFFFF<sub>H</sub> image is visible in the 00 bank, and the FF0000<sub>H</sub> to FF3FFF<sub>H</sub> is visible only in the FF bank.

# MB90495G Series

## ■ PIN ASSIGNMENTS







# MB90495G Series

## ■ PIN DESCRIPTION

Pin No.		Pin Name	Circuit Type	Description
QFP-64P <sup>*1</sup>	LQFP-64P <sup>*2</sup>			
2	1	P61	D	General-purpose I/O port
		INT1		Functions as external interrupt input pin. Set this to input port.
3	2	P62	D	General-purpose I/O port
		INT2		Functions as external interrupt input pin. Set this to input port.
4 to 11	3 to 10	P50 to P57	E	General-purpose I/O port
		AN0 to AN7		Functions as analog input port of A/D converter. This is enabled if analog input configuration is permitted.
12	11	AV <sub>CC</sub>	—	V <sub>CC</sub> power input pin of A/D converter.
13	12	AVR	—	Reference voltage (+) input pin for the A/D converter. This voltage must not exceed V <sub>CC</sub> and AV <sub>CC</sub> . Reference voltage (–) is fixed to AV <sub>SS</sub> .
14	13	AV <sub>SS</sub>	—	V <sub>SS</sub> power input pin of A/D converter.
15	14	P60	D	General-purpose I/O port
		INT0		Functions as external interrupt input pin. Set this to input port.
16	15	X0A	A	Low-speed oscillation pin. Perform pull-down processing if not connected to an oscillator.
17	16	X1A	A	Low-speed oscillation pin. Set to open if not connected to an oscillator.
18	17	P63	D	General-purpose I/O port
		INT3		Functions as external interrupt input pin. Set this to input port.
19	18	MD0	C	Input pin for specifying operation mode.
20	19	$\overline{\text{RST}}$	B	External reset input pin.
21	20	MD1	C	Input pin for specifying operation mode.
22	21	MD2	F	Input pin for specifying operation mode.
23	22	X0	A	High-speed oscillation pin.
24	23	X1	A	High-speed oscillation pin.
25	24	V <sub>SS</sub>	—	Power supply (0 V) input pin.
26 to 33	25 to 32	P00 to P07	D	General-purpose I/O port Only enabled in single-chip mode.
		AD00 to AD07		I/O pin for the lower 8-bit of the external address data bus. Only enabled during external bus mode.
34 to 37	33 to 36	P10 to P13	D	General-purpose I/O port. Only enabled in single-chip mode.
		IN0 to IN3		Functions as trigger input pin for input capture channels ch.0 to ch.3. Set this to input port.
		AD08 to AD11		I/O pin for upper 4-bit of external address data bus. Only enabled during external bus mode.

(Continued)

# MB90495G Series

(Continued)

Pin No.		Pin Name	Circuit Type	Description
QFP-64P <sup>*1</sup>	LQFP-64P <sup>*2</sup>			
38 to 41	37 to 40	P14 to P17	D	General-purpose I/O port. Only enabled in single-chip mode.
		PPG0 to PPG3		Functions as output pin of PPG timer 0/1, 2/3. Only valid if output configuration is enabled.
		AD12 to AD15		I/O pin for upper 4-bit of external address data bus. Only enabled during external bus mode.
42	41	P20	D	General-purpose I/O port. When the bits of high address control register (HACR) are set to "1" in external bus mode, these pins function as general purpose I/O ports.
		TIN0		Functions as event input pin of TIN0 reload timer 0. Set this to input port.
		A16		Output pin of external address bus (A16) . Only valid when the bits of high address control register (HACR) are set to "0" in external bus mode.
43	42	P21	D	General-purpose I/O port. When the bits of high address control register (HACR) are set to "1" in external bus mode, these pins function as general purpose I/O ports.
		TOT0		Functions as event output pin of TOT0 reload timer 0. Only valid if output configuration enabled.
		A17		Output pin of external address bus (A17) . Only valid when the bits of high address control register (HACR) are set to "0" in external bus mode.
44	43	P22	D	General-purpose I/O port. When the bits of high address control register (HACR) are set to "1" in external bus mode, these pins function as general purpose I/O ports.
		TIN1		Functions as event input pin of TIN1 reload timer 1. Set this to input port.
		A18		Output pin of external address bus (A18) . Only valid when the bits of high address control register (HACR) are set to "0" in external bus mode.
45	44	P23	D	General-purpose I/O port. When the bits of high address control register (HACR) are set to "1" in external bus mode, these pins function as general purpose I/O ports.
		TOT1		Functions as event output pin for TOT1 reload timer 1. Only valid if output configuration enabled.
		A19		Output pin for external address bus (A19) . Only valid when the bits of high address control register (HACR) are set to "0" in external bus mode.

(Continued)

# MB90495G Series

(Continued)

Pin No.		Pin Name	Circuit Type	Description
QFP-64P <sup>*1</sup>	LQFP-64P <sup>*2</sup>			
46 to 49	45 to 48	P24 to P27	D	General-purpose I/O port. When the bits of high address control register (HACR) are set to "1" in external bus mode, these pins function as general purpose I/O ports.
		INT4 to INT7		Functions as external interrupt input pin. Set this to input port.
		A20 to A23		Output pin for external address bus (A20 to A23) . Only valid when the bits of high address control register (HACR) are set to "0" in external bus mode.
50	49	V <sub>SS</sub>	—	Power supply (0 V) input pin.
51	50	P30	D	General-purpose I/O port. Only enabled in single-chip mode.
		SOT0		UART0 serial data output pin. Only valid if UART0 serial data output configuration is enabled.
		ALE		Address latch authorization output pin. Only enabled during external bus mode.
52	51	P31	D	General-purpose I/O port. Only enabled in single-chip mode.
		SCK0		UART0 serial clock I/O pin. Only valid if UART0 serial clock I/O configuration is enabled.
		$\overline{RD}$		Lead strobe output pin. Only enabled during external bus mode.
53	52	P32	D	General-purpose I/O port.
		SIN0		UART0 serial data input pin. Set this to input port.
		$\overline{WRL}$		Write strobe output pin for lower 8-bit of data bus. Only valid if WRL pin output is enabled, in external bus mode.
54	53	P33	D	General-purpose I/O port.
		$\overline{WRH}$		Write strobe output pin for upper 8-bit of data bus. Only valid if external bus mode/16-bit bus mode/ $\overline{WRH}$ pin output enabled.
55	54	P34	D	General-purpose I/O port.
		HRQ		Hold request input pin. Only valid if hold input is enabled, in external bus mode.
56	55	P35	D	General-purpose I/O port.
		$\overline{HAK}$		Hold addressing output pin. Only valid if hold input is enabled, in external bus mode.
57	56	V <sub>CC</sub>	—	Power supply (5 V) input pin.
58	57	C	—	Capacity pin for power stabilization. Please connect to an approximately 0.1 $\mu$ F ceramic capacitor.

(Continued)

(Continued)

Pin No.		Pin Name	Circuit Type	Description
QFP-64P *1	LQFP-64P *2			
59	58	P36	D	General-purpose I/O port.
		FRCK		Functions as an external clock input pin for a FRCK 16-bit free-run timer. Set this to input port.
		RDY		External ready input pin. Only valid if external ready input is enabled, in external bus mode.
60	59	P37	D	General-purpose I/O port.
		ADTG		Functions as A/D converter external trigger input pin. Set this to input port.
		CLK		External clock output pin. Only valid if external clock output is enabled, in external bus mode.
61	60	P40	D	General-purpose I/O port.
		SIN1		UART1 serial data input pin. Set this to input port.
62	61	P41	D	General-purpose I/O port.
		SCK1		UART1 serial clock I/O pin. Only valid if UART1 clock I/O configuration is enabled.
63	62	P42	D	General-purpose I/O port.
		SOT1		UART1 serial data output pin. Only valid if UART1 serial data output configuration is enabled.
64	63	P43	D	General-purpose I/O port.
		TX		CAN transmission output pin. Only valid if output configuration enabled.
1	64	P44	D	General-purpose I/O port.
		RX		CAN reception input pin. Set this to input port.

\*1 : FPT-64P-M06

\*2 : FPT-64P-M23

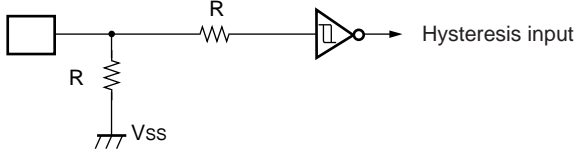
# MB90495G Series

## I/O CIRCUIT TYPE

Type	Circuit	Remarks
A		<ul style="list-style-type: none"> <li>High speed oscillation feedback resistor : 1 MΩ approx.</li> <li>Low speed oscillation feedback resistor : 10 MΩ approx.</li> </ul>
B		<ul style="list-style-type: none"> <li>Hysteresis input with pull-up</li> <li>Pull-up Resistor : 50 kΩ approx.</li> </ul>
C		Hysteresis input
D		<ul style="list-style-type: none"> <li>CMOS hysteresis input</li> <li>CMOS level output</li> <li>Standby control available</li> </ul>
E		<ul style="list-style-type: none"> <li>CMOS hysteresis input</li> <li>CMOS level output</li> <li>Doubles as analog input pin</li> <li>Standby control available</li> </ul>

(Continued)

(Continued)

Type	Circuit	Remarks
F		<ul style="list-style-type: none"><li>• Hysteresis input with pull-down</li><li>• Pull-down Resistor : 50 kΩ approx. (except Flash device)</li></ul>

# MB90495G Series

## ■ HANDLING DEVICES

- **Make sure you do not exceed the maximum rated values (in order to prevent latch-up) .**
  - CMOS IC chips may suffer latch-up if a voltage higher than  $V_{CC}$  or lower than  $V_{SS}$  is applied to an input or output pin with other than mid or high current resistance; or voltage exceeding the rating is applied across  $V_{CC}$  and  $V_{SS}$  pins.
  - Latch-ups can dramatically increase the power supply current, causing thermal breakdown of the device. Make sure that you do not exceed the maximum rated value of your device, in order to prevent a latch-up.
  - When turning the analog power supply on or off, make sure that the analog power voltage ( $AV_{CC}$ ,  $AVR$ ) and analog input voltages do not exceed the digital voltage ( $V_{CC}$ ) .

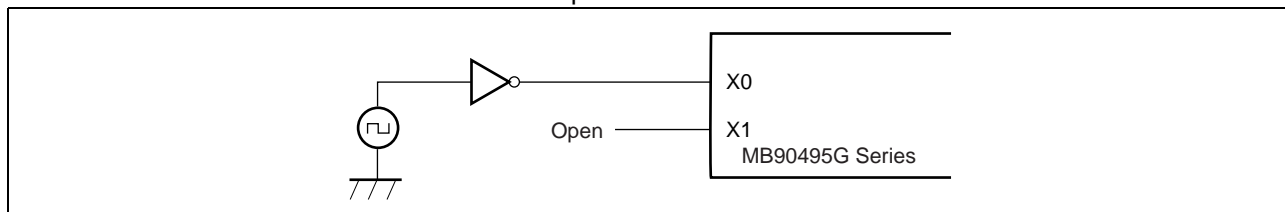
### • Handling Unused Pins

Leaving unused input/output pins open may cause malfunctions and latch-ups, permanently damaging the device. Prevent this by connecting it to a pull-up or pull-down resistor of no less than 2 k $\Omega$ . Leave unused input/output pins open in output mode, or if in input mode, handle them in the same as input pins.

### • Notes on Using External Clock

When using the external clock, drive pin X0 only, and leave pin X1 unconnected. See below for an example of external clock use.

Example External Clock Use



### • Notes on Not Using Subclock

If you do not connect pins X0A and X1A to an oscillator, use pull-down handling on the X0A pin, and leave the X1A pin open.

### • Power Supply Pins

- If your product has multiple  $V_{CC}$  or  $V_{SS}$  pins, pins of the same potential are internally connected in the device in order to avoid abnormal operation, including latch-up. However, you should make sure to connect the pins' external power and ground lines, in order to lower unneeded emissions, prevent abnormal operation of strobe signals due to a rise in ground levels, and maintain total output current within rated levels.
- Take care to connect the  $V_{CC}$  and  $V_{SS}$  pins of MB90495G Series devices to power lines via the lowest possible impedance.
- It is recommended that you connect a bypass capacitor of approximately 0.1  $\mu\text{F}$  between  $V_{CC}$  and  $V_{SS}$  pins near MB90495G Series device pins.

### • Crystal Oscillator Circuit

- Noise in the vicinity of X0 and X1 pins could cause abnormal operations in MB90495G Series devices. Make sure to provide bypass capacitors via the shortest possible distance from X0 and X1 pins, crystal oscillators (or ceramic resonators) , and ground lines. In addition, design your printed circuit boards so as to keep X0 and X1 wiring from crossing other wiring, if at all possible.
- It is strongly recommended that you provide printed circuit board artwork surrounding X0 and X1 pins within a grand area, as this should stabilize operation.

- **A/D Converter Power-up and Analog Input Initiation Sequence**

- Make sure to power up the A/D converter and analog input (pins AN0 to AN7) after turning on digital power ( $V_{CC}$ ).
- Turn off digital power after turning off the A/D converter power supply and analog inputs. In this case, make sure that the voltage of AVR does not exceed  $AV_{CC}$  (it is permissible to turn off analog and digital power simultaneously).

- **Connecting Unused A/D Converter Pins**

If you are not using the A/D converter, set unused pins to  $AV_{CC} = AVR = V_{CC}$ ,  $AV_{SS} = V_{SS}$ .

- **Notes for Powering Up**

Ensure that the voltage step-up time (between 0.2 V and 2.7 V) at power-up is no less than 50  $\mu$ s, in order to prevent malfunction in the built-in step-down circuit.

- **Initialization**

The device contains built-in registers which are only initialized by a power-on reset. Cycle the power supply to initialize these registers.

- **Stabilizing the Power Supply**

Make sure that the  $V_{CC}$  power supply voltage is stable. Even at the rated operating  $V_{CC}$  power supply voltage, large, sudden changes in the voltage could cause malfunctions. As a standard for stable power supply, keep  $V_{CC}$  ripples (peak-to-peak value) at commercial power frequencies (50 Hz / 60 Hz) to no more than 10% of the power supply voltage, and momentary surges caused by switching the power supply and other events to more than 0.1 V/ms.

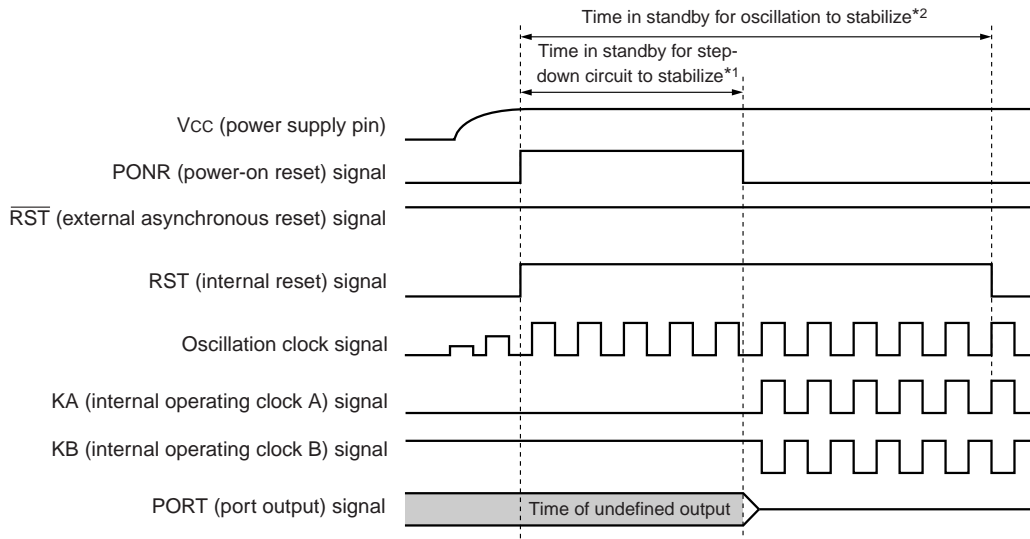
- **If Output from Ports 0/1 Becomes Undefined**

After power is turned on, if the  $\overline{RST}$  pin is set to "H" during step-down circuit stabilization standby (during power-on reset), ports 0 and 1 output will be undefined. If the  $\overline{RST}$  pin is set to "L", ports 0 and 1 will go into a high impedance state. Take careful note of the timing of events outlined in figures 1 and 2.



# MB90495G Series

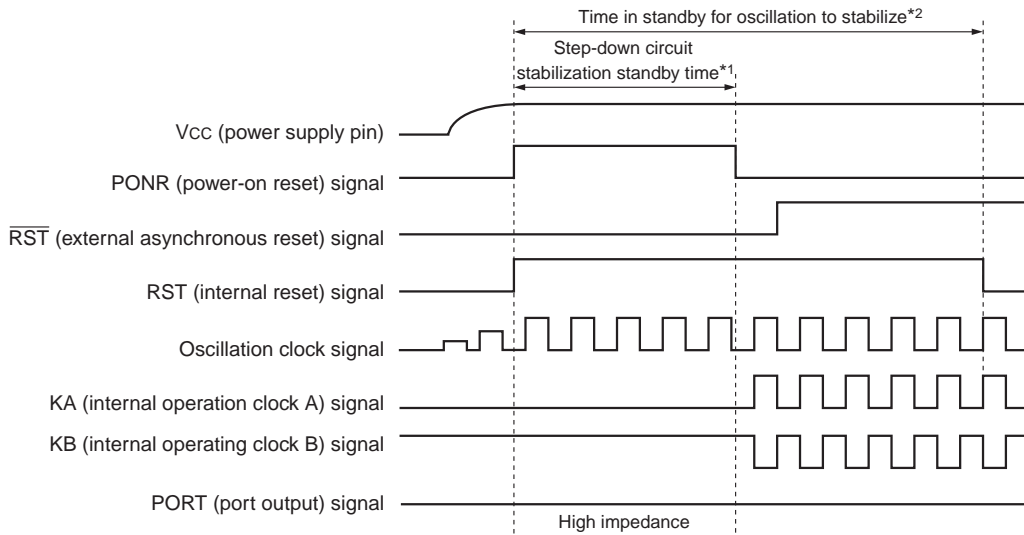
• **Figure 1 - Timing Chart of Undefined Output from Ports 0/1 (with  $\overline{\text{RST}}$  pin set to “H”)**



\*1 : Step-down circuit stabilization standby time :  $2^{17}/\text{oscillation clock frequency}$   
 (with 16-MHz oscillation clock frequency, about 8.19 ms)

\*2 : Oscillation stabilization standby time :  $2^{18}/\text{oscillation clock frequency}$   
 (with 16-MHz oscillation clock frequency, about 16.38 ms)

• **Figure 2 - Timing Chart of High Impedance State for Ports 0/1 (when  $\overline{\text{RST}}$  pin is “L”)**



\*1 : Step-down circuit stabilization standby time :  $2^{17}/\text{oscillation clock frequency}$   
 (with 16-MHz oscillation clock frequency, about 8.19 ms)

\*2 : Oscillation stabilization standby time :  $2^{18}/\text{oscillation clock frequency}$   
 (with 16-MHz oscillation clock frequency, about 16.38 ms)

- **Caution on Operations during PLL Clock Mode**

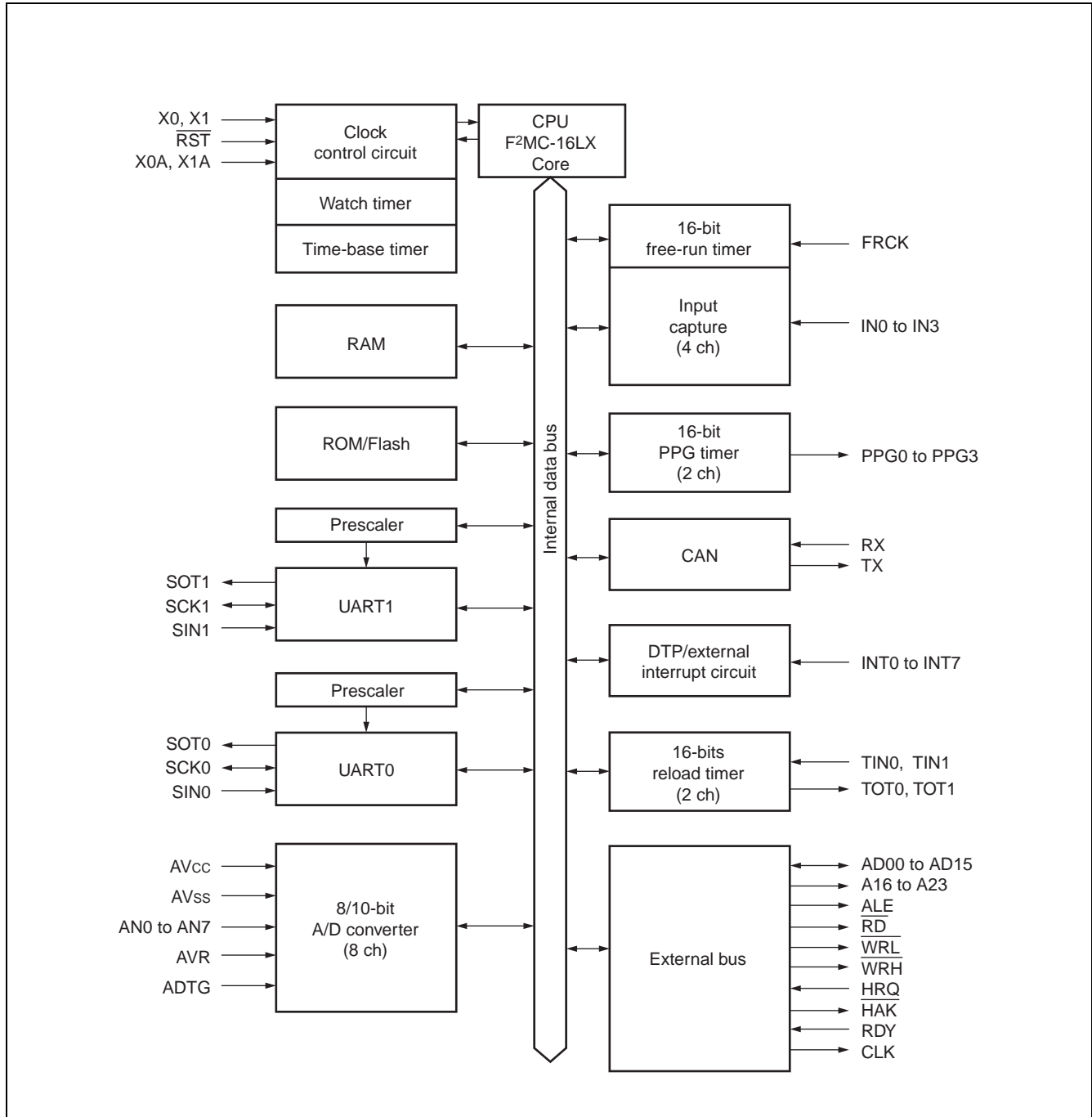
If the PLL clock mode is selected in the microcontroller, it may attempt to continue the operation using the free-running frequency of the automatic oscillating circuit in the PLL circuitry even if the oscillator is out of place or the clock input is stopped. Performance of this operation, however, cannot be guaranteed.

- **Support for  $T_A = +125\text{ }^\circ\text{C}$**

If used exceeding  $T_A = +105\text{ }^\circ\text{C}$ , be sure to contact us for reliability limitations.

# MB90495G Series

## ■ BLOCK DIAGRAM



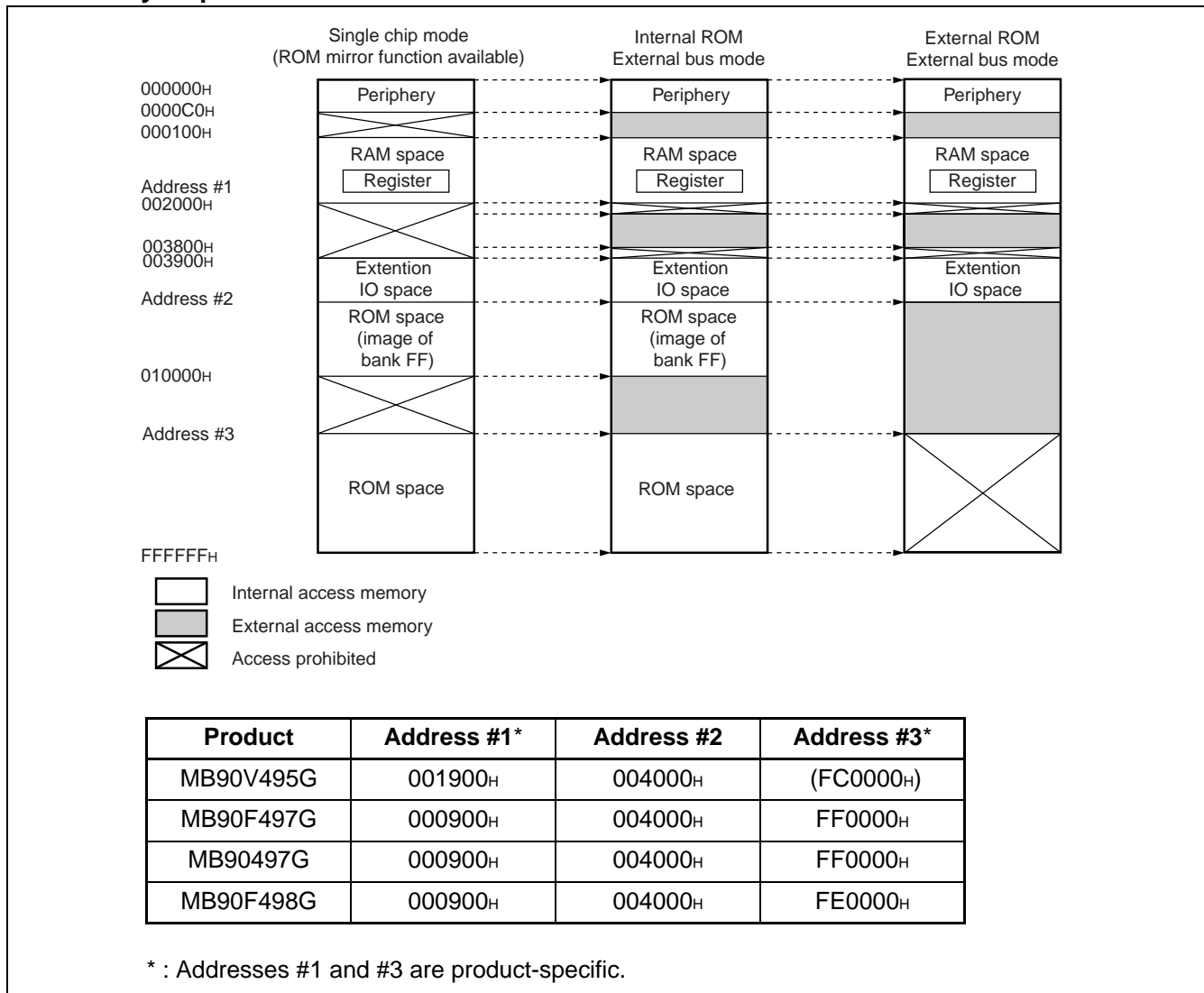
## ■ MEMORY MAP

The memory access modes of the MB90495G Series can be set to single chip mode, internal ROM - external bus mode, and external ROM - external bus mode.

### 1. Memory Allocation of the MB90495G

The MB90495G Series has 24-bit internal address bus and 24-bit external address bus output, enabling it to access up to 16 Mbytes of external access memory. The enable/disable time of the ROM mirror function is shown graphically in the memory map.

### 2. Memory Map



Note : When the internal ROM is operational, the ROM data in the upper address of bank 00 of the F<sup>2</sup>MC-16LX is visible in an image. This is called the ROM mirror function, and takes advantage of the small C compiler model. With the F<sup>2</sup>MC-16LX, the lower 16-bit address of bank FF and the lower 16-bit address of bank 00 are set identical to one another. This allows the ROM-internal table to be referenced without specifying a far pointer. For example, say the address "00C000<sub>H</sub>" is accessed. In actuality, the "FFC000<sub>H</sub>" address inside ROM will be accessed. However, as the ROM space in bank FF exceeds 48 Kbytes, the entire space cannot be viewed on bank 00's image. And so, since "FF4000<sub>H</sub>" to "FFFFFF<sub>H</sub>" ROM data will be visible on the "004000<sub>H</sub>" to "00FFFF<sub>H</sub>" image, save the ROM data table in the "FF4000<sub>H</sub>" to "FFFFFF<sub>H</sub>" space.

# MB90495G Series

## ■ I/O MAP

Address	Register Abbreviation	Register Name	Access	Resource Name	Initial Value
000000 <sub>H</sub>	PDR0	Port 0 data register	R/W	Port 0	XXXXXXXX <sub>B</sub>
000001 <sub>H</sub>	PDR1	Port 1 data register	R/W	Port 1	XXXXXXXX <sub>B</sub>
000002 <sub>H</sub>	PDR2	Port 2 data register	R/W	Port 2	XXXXXXXX <sub>B</sub>
000003 <sub>H</sub>	PDR3	Port 3 data register	R/W	Port 3	XXXXXXXX <sub>B</sub>
000004 <sub>H</sub>	PDR4	Port 4 data register	R/W	Port 4	XXXXXXXX <sub>B</sub>
000005 <sub>H</sub>	PDR5	Port 5 data register	R/W	Port 5	XXXXXXXX <sub>B</sub>
000006 <sub>H</sub>	PDR6	Port 6 data register	R/W	Port 6	XXXXXXXX <sub>B</sub>
000007 <sub>H</sub> to 00000F <sub>H</sub>	(system-reserved area) *				
000010 <sub>H</sub>	DDR0	Port 0 direction register	R/W	Port 0	00000000 <sub>B</sub>
000011 <sub>H</sub>	DDR1	Port 1 direction register	R/W	Port 1	00000000 <sub>B</sub>
000012 <sub>H</sub>	DDR2	Port 2 direction register	R/W	Port 2	00000000 <sub>B</sub>
000013 <sub>H</sub>	DDR3	Port 3 direction register	R/W	Port 3	00000000 <sub>B</sub>
000014 <sub>H</sub>	DDR4	Port 4 direction register	R/W	Port 4	XXX00000 <sub>B</sub>
000015 <sub>H</sub>	DDR5	Port 5 direction register	R/W	Port 5	00000000 <sub>B</sub>
000016 <sub>H</sub>	DDR6	Port 6 direction register	R/W	Port 6	XXXX0000 <sub>B</sub>
000017 <sub>H</sub> to 00001A <sub>H</sub>	(system-reserved area) *				
00001B <sub>H</sub>	ADER	Analog input enable register	R/W	8/10-bit A/D converter	11111111 <sub>B</sub>
00001C <sub>H</sub> to 00001F <sub>H</sub>	(system-reserved area) *				
000020 <sub>H</sub>	SMR0	Serial mode register 0	R/W	UART0	00000000 <sub>B</sub>
000021 <sub>H</sub>	SCR0	Serial control register 0	R/W		00000100 <sub>B</sub>
000022 <sub>H</sub>	SIDR0/ SODR0	Serial input data register 0/ Serial output data register 0	R/W		XXXXXXXX <sub>B</sub>
000023 <sub>H</sub>	SSR0	Serial status register 0	R/W		00001X00 <sub>B</sub>
000024 <sub>H</sub>	CDCR0	Communication prescaler control register 0	R/W		0XXX1111 <sub>B</sub>
000025 <sub>H</sub>	SES0	Serial edge selection register 0	R/W		XXXXXXXX0 <sub>B</sub>
000026 <sub>H</sub>	SMR1	Serial mode register 1	R/W	UART1	00000000 <sub>B</sub>
000027 <sub>H</sub>	SCR1	Serial control register 1	R/W		00000100 <sub>B</sub>
000028 <sub>H</sub>	SIDR1/ SODR1	Serial input data register 1/ Serial output data register 1	R/W		XXXXXXXX <sub>B</sub>

(Continued)

# MB90495G Series

Address	Register Abbreviation	Register Name	Access	Resource Name	Initial Value
000029 <sub>H</sub>	SSR1	Serial status register 1	R/W	UART1	0 0 0 0 1 0 0 0 <sub>B</sub>
00002A <sub>H</sub>	(system-reserved area) *				
00002B <sub>H</sub>	CDCR1	Communication prescaler control register 1	R/W	UART1	0 XXX 0 0 0 0 <sub>B</sub>
00002C <sub>H</sub> to 00002F <sub>H</sub>	(system-reserved area) *				
000030 <sub>H</sub>	ENIR	DTP/external interrupt enable register	R/W	DTP/external interrupt	0 0 0 0 0 0 0 0 <sub>B</sub>
000031 <sub>H</sub>	EIRR	DTP/external interrupt condition register	R/W		XXXXXXXX <sub>B</sub>
000032 <sub>H</sub>	ELVR	Detection level configuration register	R/W		0 0 0 0 0 0 0 0 <sub>B</sub>
000033 <sub>H</sub>			R/W		0 0 0 0 0 0 0 0 <sub>B</sub>
000034 <sub>H</sub>	ADCS	A/D control status register	R/W	8/10-bit A/D converter	0 0 0 0 0 0 0 0 <sub>B</sub>
000035 <sub>H</sub>			R/W		0 0 0 0 0 0 0 0 <sub>B</sub>
000036 <sub>H</sub>	ADCR	A/D data register	R		XXXXXXXX <sub>B</sub>
000037 <sub>H</sub>			R/W		0 0 1 0 1 XXX <sub>B</sub>
000038 <sub>H</sub> to 00003F <sub>H</sub>	(system-reserved area) *				
000040 <sub>H</sub>	PPGC0	PPG0 operation mode control register	R/W	8/16-bit PPG timer 0/1	0 X 0 0 0 XX 1 <sub>B</sub>
000041 <sub>H</sub>	PPGC1	PPG1 operation mode control register	R/W		0 X 0 0 0 0 0 1 <sub>B</sub>
000042 <sub>H</sub>	PPG01	PPG0/1 count clock selection register	R/W		0 0 0 0 0 0 XX <sub>B</sub>
000043 <sub>H</sub>	(system-reserved area) *				
000044 <sub>H</sub>	PPGC2	PPG2 operation mode control register	R/W	8/16-bit PPG timer 2/3	0 X 0 0 0 XX 1 <sub>B</sub>
000045 <sub>H</sub>	PPGC3	PPG3 operation mode control register	R/W		0 X 0 0 0 0 0 1 <sub>B</sub>
000046 <sub>H</sub>	PPG23	PPG2/3 count clock selection register	R/W		0 0 0 0 0 0 XX <sub>B</sub>
000047 <sub>H</sub> to 00004F <sub>H</sub>	(system-reserved area) *				
000050 <sub>H</sub>	IPCP0	Input capture data register 0	R	16-bit I/O timer	XXXXXXXX <sub>B</sub>
000051 <sub>H</sub>					XXXXXXXX <sub>B</sub>
000052 <sub>H</sub>	IPCP1	Input capture data register 1	R		XXXXXXXX <sub>B</sub>
000053 <sub>H</sub>					XXXXXXXX <sub>B</sub>
000054 <sub>H</sub>	ICS01	Input capture control status register	R/W		0 0 0 0 0 0 0 0 <sub>B</sub>
000055 <sub>H</sub>	ICS23				0 0 0 0 0 0 0 0 <sub>B</sub>
000056 <sub>H</sub>	TCDT	Timer counter data register	R/W		0 0 0 0 0 0 0 0 <sub>B</sub>
000057 <sub>H</sub>					0 0 0 0 0 0 0 0 <sub>B</sub>

(Continued)

# MB90495G Series

Address	Register Abbreviation	Register Name	Access	Resource Name	Initial Value
000058 <sub>H</sub>	TCCS	Timer counter control status register	R/W	16-bit I/O timer	0 0 0 0 0 0 0 0 <sub>B</sub>
000059 <sub>H</sub>					0 XXXXXXX <sub>B</sub>
00005A <sub>H</sub>	IPCP2	Input capture data register 2	R		XXXXXXXX <sub>B</sub>
00005B <sub>H</sub>					XXXXXXXX <sub>B</sub>
00005C <sub>H</sub>	IPCP3	Input capture data register 3	R		XXXXXXXX <sub>B</sub>
00005D <sub>H</sub>					XXXXXXXX <sub>B</sub>
00005E <sub>H</sub> to 000065 <sub>H</sub>	(system-reserved area) *				
000066 <sub>H</sub>	TMCSR0	Timer control status register	R/W	16-bit reload timer 0	0 0 0 0 0 0 0 0 <sub>B</sub>
000067 <sub>H</sub>			R/W		XXX0 0 0 0 <sub>B</sub>
000068 <sub>H</sub>	TMCSR1		R/W	16-bit reload timer 1	0 0 0 0 0 0 0 0 <sub>B</sub>
000069 <sub>H</sub>			R/W		XXX0 0 0 0 <sub>B</sub>
00006A <sub>H</sub> to 00006E <sub>H</sub>	(system-reserved area) *				
00006F <sub>H</sub>	ROMM	ROM mirror function selection register	W	ROM mirror function selection module	XXXXXXXX 1 <sub>B</sub>
000070 <sub>H</sub> to 00007F <sub>H</sub>	(system-reserved area) *				
000080 <sub>H</sub>	BVALR	Message buffer valid register	R/W	CAN controller	0 0 0 0 0 0 0 0 <sub>B</sub>
000081 <sub>H</sub>	(system-reserved area) *				
000082 <sub>H</sub>	TREQR	Send request register	R/W	CAN controller	0 0 0 0 0 0 0 0 <sub>B</sub>
000083 <sub>H</sub>	(system-reserved area) *				
000084 <sub>H</sub>	TCANR	Send cancel register	W	CAN controller	0 0 0 0 0 0 0 0 <sub>B</sub>
000085 <sub>H</sub>	(system-reserved area) *				
000086 <sub>H</sub>	TCR	Send complete register	R/W	CAN controller	0 0 0 0 0 0 0 0 <sub>B</sub>
000087 <sub>H</sub>	(system-reserved area) *				
000088 <sub>H</sub>	RRCR	Reception complete register	R/W	CAN controller	0 0 0 0 0 0 0 0 <sub>B</sub>
000089 <sub>H</sub>	(system-reserved area) *				
00008A <sub>H</sub>	RRTRR	Reception RTR register	R/W	CAN controller	0 0 0 0 0 0 0 0 <sub>B</sub>
00008B <sub>H</sub>	(system-reserved area) *				
00008C <sub>H</sub>	ROVRR	Reception overrun register	R/W	CAN controller	0 0 0 0 0 0 0 0 <sub>B</sub>
00008D <sub>H</sub>	(system-reserved area) *				
00008E <sub>H</sub>	RIER	Reception complete interrupt enable register	R/W	CAN controller	0 0 0 0 0 0 0 0 <sub>B</sub>

(Continued)

# MB90495G Series

Address	Register Abbreviation	Register Name	Access	Resource Name	Initial Value
00008FH to 00009DH	(system-reserved area) *				
00009EH	PACSR	Address detection control register	R/W	ROM correction function	0 0 0 0 0 0 0 0 <sub>B</sub>
00009FH	DIRR	Delayed interrupt request generate/ cancel register	R/W	Delayed interrupt generation module	XXXXXXXX 0 <sub>B</sub>
0000A0H	LPMCR	Low power consumption mode control register	R/W	Low-power consumption modes	0 0 0 1 1 0 0 0 <sub>B</sub>
0000A1H	CKSCR	Clock selection register	R/W	Clock	1 1 1 1 1 1 0 0 <sub>B</sub>
0000A2H to 0000A4H	(system-reserved area) *				
0000A5H	ARSR	Auto ready function selection register	W	External access	0 0 1 1 XX 0 0 <sub>B</sub>
0000A6H	HACR	High address control register	W		0 0 0 0 0 0 0 0 <sub>B</sub>
0000A7H	ECSR	Bus control signal selection register	W		0 0 0 0 0 0 0 X <sub>B</sub> or 0 0 0 0 1 0 0 X <sub>B</sub>
0000A8H	WDTC	Watchdog timer control register	R/W	Watchdog timer	XXXXX 1 1 1 <sub>B</sub>
0000A9H	TBTC	Time-base timer control register	R/W	Time-base timer	1 XX 0 0 1 0 0 <sub>B</sub>
0000AAH	WTC	Watch timer control register	R/W	Watch timer	1 X 0 0 1 0 0 0 <sub>B</sub>
0000ABH to 0000ADH	(system-reserved area) *				
0000AEH	FMCS	Flash memory control status register	R/W	512-Kbit flash memory	0 0 0 X 0 0 0 0 <sub>B</sub>
0000AFH	(system-reserved area) *				
0000B0H	ICR00	Interrupt control register 00	R/W	Interrupt controller	0 0 0 0 0 1 1 1 <sub>B</sub>
0000B1H	ICR01	Interrupt control register 01	R/W		0 0 0 0 0 1 1 1 <sub>B</sub>
0000B2H	ICR02	Interrupt control register 02	R/W		0 0 0 0 0 1 1 1 <sub>B</sub>
0000B3H	ICR03	Interrupt control register 03	R/W		0 0 0 0 0 1 1 1 <sub>B</sub>
0000B4H	ICR04	Interrupt control register 04	R/W		0 0 0 0 0 1 1 1 <sub>B</sub>
0000B5H	ICR05	Interrupt control register 05	R/W		0 0 0 0 0 1 1 1 <sub>B</sub>
0000B6H	ICR06	Interrupt control register 06	R/W		0 0 0 0 0 1 1 1 <sub>B</sub>
0000B7H	ICR07	Interrupt control register 07	R/W		0 0 0 0 0 1 1 1 <sub>B</sub>
0000B8H	ICR08	Interrupt control register 08	R/W		0 0 0 0 0 1 1 1 <sub>B</sub>
0000B9H	ICR09	Interrupt control register 09	R/W		0 0 0 0 0 1 1 1 <sub>B</sub>
0000BAH	ICR10	Interrupt control register 10	R/W		0 0 0 0 0 1 1 1 <sub>B</sub>

(Continued)



# MB90495G Series

Address	Register Abbreviation	Register Name	Access	Resource Name	Initial Value
0000BB <sub>H</sub>	ICR11	Interrupt control register 11	R/W	Interrupt controller	0 0 0 0 0 1 1 1 <sub>B</sub>
0000BC <sub>H</sub>	ICR12	Interrupt control register 12	R/W		0 0 0 0 0 1 1 1 <sub>B</sub>
0000BD <sub>H</sub>	ICR13	Interrupt control register 13	R/W		0 0 0 0 0 1 1 1 <sub>B</sub>
0000BE <sub>H</sub>	ICR14	Interrupt control register 14	R/W		0 0 0 0 0 1 1 1 <sub>B</sub>
0000BF <sub>H</sub>	ICR15	Interrupt control register 15	R/W		0 0 0 0 0 1 1 1 <sub>B</sub>
0000C0 <sub>H</sub> to 0000FF <sub>H</sub>	(system-reserved area) *				
001FF0 <sub>H</sub>	PADR0	Detection address configuration register 0 (lower)	R/W	ROM correction function	XXXXXXXX <sub>B</sub>
001FF1 <sub>H</sub>		Detection address configuration register 0 (mid)	R/W		XXXXXXXX <sub>B</sub>
001FF2 <sub>H</sub>		Detection address configuration register 0 (upper)	R/W		XXXXXXXX <sub>B</sub>
001FF3 <sub>H</sub>	PADR1	Detection address configuration register 1 (lower)	R/W		XXXXXXXX <sub>B</sub>
001FF4 <sub>H</sub>		Detection address configuration register 1 (mid)	R/W		XXXXXXXX <sub>B</sub>
001FF5 <sub>H</sub>		Detection address configuration register 1 (upper)	R/W		XXXXXXXX <sub>B</sub>
003900 <sub>H</sub>	TMR0/ TMRLR0	16-bit timer register 0/ 16-bit reload register 0	R/W	16-bit reload timer 0	XXXXXXXX <sub>B</sub>
003901 <sub>H</sub>					XXXXXXXX <sub>B</sub>
003902 <sub>H</sub>	TMR1/ TMRLR1	16-bit timer register 1/ 16-bit reload register 1	R/W	16-bit reload timer 1	XXXXXXXX <sub>B</sub>
003903 <sub>H</sub>					XXXXXXXX <sub>B</sub>
003904 <sub>H</sub> to 00390F <sub>H</sub>	(system-reserved area) *				
003910 <sub>H</sub>	PRL0	PPG0 reload register L	R/W	8/16-bit PPG timer	XXXXXXXX <sub>B</sub>
003911 <sub>H</sub>	PRLH0	PPG0 reload register H	R/W		XXXXXXXX <sub>B</sub>
003912 <sub>H</sub>	PRL1	PPG1 reload register L	R/W		XXXXXXXX <sub>B</sub>
003913 <sub>H</sub>	PRLH1	PPG1 reload register H	R/W		XXXXXXXX <sub>B</sub>
003914 <sub>H</sub>	PRL2	PPG2 reload register L	R/W		XXXXXXXX <sub>B</sub>
003915 <sub>H</sub>	PRLH2	PPG2 reload register H	R/W		XXXXXXXX <sub>B</sub>
003916 <sub>H</sub>	PRL3	PPG3 reload register L	R/W		XXXXXXXX <sub>B</sub>
003917 <sub>H</sub>	PRLH3	PPG3 reload register H	R/W		XXXXXXXX <sub>B</sub>
003918 <sub>H</sub> to 003BFF <sub>H</sub>	(system-reserved area) *				
003C00 <sub>H</sub> to 003C0F <sub>H</sub>	RAM (general-purpose RAM)				

(Continued)

# MB90495G Series

Address	Register Abbreviation	Register Name	Access	Resource Name	Initial Value
003C10 <sub>H</sub> to 003C13 <sub>H</sub>	IDR0	ID register 0	R/W	CAN controller	XXXXXXXX <sub>B</sub> to XXXXXXXX <sub>B</sub>
003C14 <sub>H</sub> to 003C17 <sub>H</sub>	IDR1	ID register 1	R/W		XXXXXXXX <sub>B</sub> to XXXXXXXX <sub>B</sub>
003C18 <sub>H</sub> to 003C1B <sub>H</sub>	IDR2	ID register 2	R/W		XXXXXXXX <sub>B</sub> to XXXXXXXX <sub>B</sub>
003C1C <sub>H</sub> to 003C1F <sub>H</sub>	IDR3	ID register 3	R/W		XXXXXXXX <sub>B</sub> to XXXXXXXX <sub>B</sub>
003C20 <sub>H</sub> to 003C23 <sub>H</sub>	IDR4	ID register 4	R/W		XXXXXXXX <sub>B</sub> to XXXXXXXX <sub>B</sub>
003C24 <sub>H</sub> to 003C27 <sub>H</sub>	IDR5	ID register 5	R/W		XXXXXXXX <sub>B</sub> to XXXXXXXX <sub>B</sub>
003C28 <sub>H</sub> to 003C2B <sub>H</sub>	IDR6	ID register 6	R/W		XXXXXXXX <sub>B</sub> to XXXXXXXX <sub>B</sub>
003C2C <sub>H</sub> to 003C2F <sub>H</sub>	IDR7	ID register 7	R/W		XXXXXXXX <sub>B</sub> to XXXXXXXX <sub>B</sub>
003C30 <sub>H</sub> , 003C31 <sub>H</sub>	DLCR0	DLC register 0	R/W		XXXXXXXX <sub>B</sub> XXXXXXXX <sub>B</sub>
003C32 <sub>H</sub> , 003C33 <sub>H</sub>	DLCR1	DLC register 1	R/W		XXXXXXXX <sub>B</sub> XXXXXXXX <sub>B</sub>
003C34 <sub>H</sub> , 003C35 <sub>H</sub>	DLCR2	DLC register 2	R/W		XXXXXXXX <sub>B</sub> XXXXXXXX <sub>B</sub>
003C36 <sub>H</sub> , 003C37 <sub>H</sub>	DLCR3	DLC register 3	R/W		XXXXXXXX <sub>B</sub> XXXXXXXX <sub>B</sub>
003C38 <sub>H</sub> , 003C39 <sub>H</sub>	DLCR4	DLC register 4	R/W		XXXXXXXX <sub>B</sub> XXXXXXXX <sub>B</sub>
003C3A <sub>H</sub> , 003C3B <sub>H</sub>	DLCR5	DLC register 5	R/W		XXXXXXXX <sub>B</sub> XXXXXXXX <sub>B</sub>
003C3C <sub>H</sub> , 003C3D <sub>H</sub>	DLCR6	DLC register 6	R/W		XXXXXXXX <sub>B</sub> XXXXXXXX <sub>B</sub>
003C3E <sub>H</sub> , 003C3F <sub>H</sub>	DLCR7	DLC register 7	R/W		XXXXXXXX <sub>B</sub> XXXXXXXX <sub>B</sub>
003C40 <sub>H</sub> to 003C47 <sub>H</sub>	DTR0	Data register 0	R/W		XXXXXXXX <sub>B</sub> to XXXXXXXX <sub>B</sub>

(Continued)

# MB90495G Series

Address	Register Abbreviation	Register Name	Access	Resource Name	Initial Value
003C48 <sub>H</sub> to 003C4F <sub>H</sub>	DTR1	Data register 1	R/W	CAN controller	XXXXXXXX <sub>B</sub> to XXXXXXXX <sub>B</sub>
003C50 <sub>H</sub> to 003C57 <sub>H</sub>	DTR2	Data register 2	R/W		XXXXXXXX <sub>B</sub> to XXXXXXXX <sub>B</sub>
003C58 <sub>H</sub> to 003C5F <sub>H</sub>	DTR3	Data register 3	R/W		XXXXXXXX <sub>B</sub> to XXXXXXXX <sub>B</sub>
003C60 <sub>H</sub> to 003C67 <sub>H</sub>	DTR4	Data register 4	R/W		XXXXXXXX <sub>B</sub> to XXXXXXXX <sub>B</sub>
003C68 <sub>H</sub> to 003C6F <sub>H</sub>	DTR5	Data register 5	R/W		XXXXXXXX <sub>B</sub> to XXXXXXXX <sub>B</sub>
003C70 <sub>H</sub> to 003C77 <sub>H</sub>	DTR6	Data register 6	R/W		XXXXXXXX <sub>B</sub> to XXXXXXXX <sub>B</sub>
003C78 <sub>H</sub> to 003C7F <sub>H</sub>	DTR7	Data register 7	R/W		XXXXXXXX <sub>B</sub> to XXXXXXXX <sub>B</sub>
003C80 <sub>H</sub> to 003CFF <sub>H</sub>	(system-reserved area) *				
003D00 <sub>H</sub> , 003D01 <sub>H</sub>	CSR	Control status register	R/W	CAN controller	0 XXXX 0 0 1 <sub>B</sub> 0 0 XXX 0 0 0 <sub>B</sub>
003D02 <sub>H</sub>	LEIR	Display last event register	R/W		0 0 0 XX 0 0 0 <sub>B</sub>
003D03 <sub>H</sub>	(system-reserved area) *				
003D04 <sub>H</sub> , 003D05 <sub>H</sub>	RTEC	Receive/transmit error counter	R	CAN controller	0 0 0 0 0 0 0 0 <sub>B</sub> 0 0 0 0 0 0 0 0 <sub>B</sub>
003D06 <sub>H</sub> , 003D07 <sub>H</sub>	BTR	Bit timing register	R/W		1 1 1 1 1 1 1 1 <sub>B</sub> X 1 1 1 1 1 1 1 <sub>B</sub>
003D08 <sub>H</sub>	IDER	IDE register	R/W		XXXXXXXX <sub>B</sub>
003D09 <sub>H</sub>	(system-reserved area) *				
003D0A <sub>H</sub>	TRTRR	Transmit RTR register	R/W	CAN controller	0 0 0 0 0 0 0 0 <sub>B</sub>
003D0B <sub>H</sub>	(system-reserved area) *				
003D0C <sub>H</sub>	RFWTR	Remote frame reception standby register	R/W	CAN controller	XXXXXXXX <sub>B</sub>
003D0D <sub>H</sub>	(system-reserved area) *				
003D0E <sub>H</sub>	TIER	Transmit complete interrupt enable register	R/W	CAN controller	0 0 0 0 0 0 0 0 <sub>B</sub>

(Continued)

(Continued)

Address	Register Abbreviation	Register Name	Access	Resource Name	Initial Value
003D0FH	(system-reserved area) *				
003D10H, 003D11H	AMSR	Acceptance mask selection register	R/W	CAN controller	XXXXXXXX <sub>B</sub> XXXXXXXX <sub>B</sub>
003D12H, 003D13H	(system-reserved area) *				
003D14H to 003D17H	AMR0	Acceptance mask register 0	R/W	CAN controller	XXXXXXXX <sub>B</sub> to XXXXXXXX <sub>B</sub>
003D18H to 003D1BH	AMR1	Acceptance mask register 1	R/W		XXXXXXXX <sub>B</sub> to XXXXXXXX <sub>B</sub>
003D1CH to 003FFFH	(system-reserved area) *				

Explanation of reset values

0 : The reset value of this bit is 0.

1 : The reset value of this bit is 1.

X : The reset value of this bit is undefined.

\* : System-reserved area contains system-internal addresses, and cannot be used.

# MB90495G Series

## ■ INTERRUPT CONDITIONS AND INTERRUPT VECTOR/REGISTER

Interrupt Condition	EI <sup>2</sup> OS Compatible	Interrupt Vector		Interrupt Register		Priority <sup>*3</sup>
		Number	Address	ICR	Address	
Reset	×	#08	08 <sub>H</sub>	FFFFDC <sub>H</sub>	—	Highest ↑
INT 9 instruction	×	#09	09 <sub>H</sub>	FFFFD8 <sub>H</sub>	—	
Exception processing	×	#10	0A <sub>H</sub>	FFFFD4 <sub>H</sub>	—	
Can controller reception complete (RX)	×	#11	0B <sub>H</sub>	FFFFD0 <sub>H</sub>	ICR00	0000B0 <sub>H</sub> (*1)
Can controller reception complete (TX) / Node status transition (NS)	×	#12	0C <sub>H</sub>	FFFFCC <sub>H</sub>		
Reserved	×	#13	0D <sub>H</sub>	FFFFC8 <sub>H</sub>	ICR01	0000B1 <sub>H</sub>
Reserved	×	#14	0E <sub>H</sub>	FFFFC4 <sub>H</sub>		
External interrupt (INT0/INT1)	△	#15	0F <sub>H</sub>	FFFFC0 <sub>H</sub>	ICR02	0000B2 <sub>H</sub> (*1)
Time-base timer	×	#16	10 <sub>H</sub>	FFFFBC <sub>H</sub>		
16-bit reload timer 0	△	#17	11 <sub>H</sub>	FFFFB8 <sub>H</sub>	ICR03	0000B3 <sub>H</sub> (*1)
8/10-bit A/D converter	△	#18	12 <sub>H</sub>	FFFFB4 <sub>H</sub>		
16-bit free-run timer overflow	△	#19	13 <sub>H</sub>	FFFFB0 <sub>H</sub>	ICR04	0000B4 <sub>H</sub> (*1)
External interrupt (INT2/INT3)	△	#20	14 <sub>H</sub>	FFFFAC <sub>H</sub>		
Reserved	×	#21	15 <sub>H</sub>	FFFFA8 <sub>H</sub>	ICR05	0000B5 <sub>H</sub> (*2)
PPG timer ch.0, ch.1 underflow	×	#22	16 <sub>H</sub>	FFFFA4 <sub>H</sub>		
Input capture 0 load	△	#23	17 <sub>H</sub>	FFFFA0 <sub>H</sub>	ICR06	0000B6 <sub>H</sub> (*1)
External interrupt (INT4/INT5)	△	#24	18 <sub>H</sub>	FFFF9C <sub>H</sub>		
Input capture 1 load	△	#25	19 <sub>H</sub>	FFFF98 <sub>H</sub>	ICR07	0000B7 <sub>H</sub> (*1)
PPG timer ch.2, ch.3 underflow	×	#26	1A <sub>H</sub>	FFFF94 <sub>H</sub>		
External interrupt (INT6/INT7)	△	#27	1B <sub>H</sub>	FFFF90 <sub>H</sub>	ICR08	0000B8 <sub>H</sub> (*1)
Watch timer	△	#28	1C <sub>H</sub>	FFFF8C <sub>H</sub>		
Reserved	×	#29	1D <sub>H</sub>	FFFF88 <sub>H</sub>	ICR09	0000B9 <sub>H</sub> (*1)
Input capture 2 load Input capture 3 load	×	#30	1E <sub>H</sub>	FFFF84 <sub>H</sub>		
Reserved	×	#31	1F <sub>H</sub>	FFFF80 <sub>H</sub>	ICR10	0000BA <sub>H</sub> (*1)
Reserved	×	#32	20 <sub>H</sub>	FFFF7C <sub>H</sub>		
Reserved	×	#33	21 <sub>H</sub>	FFFF78 <sub>H</sub>	ICR11	0000BB <sub>H</sub> (*1)
Reserved	×	#34	22 <sub>H</sub>	FFFF74 <sub>H</sub>		
Reserved	×	#35	23 <sub>H</sub>	FFFF70 <sub>H</sub>	ICR12	0000BC <sub>H</sub> (*1)
16-bit reload timer 1	○	#36	24 <sub>H</sub>	FFFF6C <sub>H</sub>		
UART1 reception complete	◎	#37	25 <sub>H</sub>	FFFF68 <sub>H</sub>	ICR13	0000BD <sub>H</sub> (*1)
UART1 transmission complete	△	#38	26 <sub>H</sub>	FFFF64 <sub>H</sub>		

(Continued)

(Continued)

Interrupt Condition	EI <sup>2</sup> OS Compatible	Interrupt Vector			Interrupt Register		Priority *3
		Number	Address	Address	ICR	Address	
UART0 reception complete	◎	#39	27 <sub>H</sub>	FFFF60 <sub>H</sub>	ICR14	0000BE <sub>H</sub> (*1)	↓ Lowest
UART0 transmission complete	△	#40	28 <sub>H</sub>	FFFF5C <sub>H</sub>			
Flash memory	×	#41	29 <sub>H</sub>	FFFF58 <sub>H</sub>	ICR15	0000BF <sub>H</sub> (*1)	
Delayed interrupt generation module	×	#42	2A <sub>H</sub>	FFFF54 <sub>H</sub>			

○ : Available

×

◎ : Available, EI<sup>2</sup>OS halt function supplied

△ : Available for interrupt conditions not shared by ICR

- \*1 :
- The interrupt level is the same for peripheral devices sharing the ICR register.
  - Peripheral devices that share the ICR register and use the extended intelligent I/O service only utilize one set.
  - If one side of a peripheral device sharing the ICR register is set to extended intelligent I/O service, the other side cannot use interrupts.

\*2 : Only the 16-bit reload timer is compatible with EI<sup>2</sup>OS. Since PPG does not support EI<sup>2</sup>OS, if you use EI<sup>2</sup>OS with the 16-bit reload timer, prohibit interrupts by PPG.

\*3 : Priority if two or more interrupts with the same level are generated simultaneously.

## ■ PERIPHERAL RESOURCES

### 1. I/O Port

#### (1) Overview

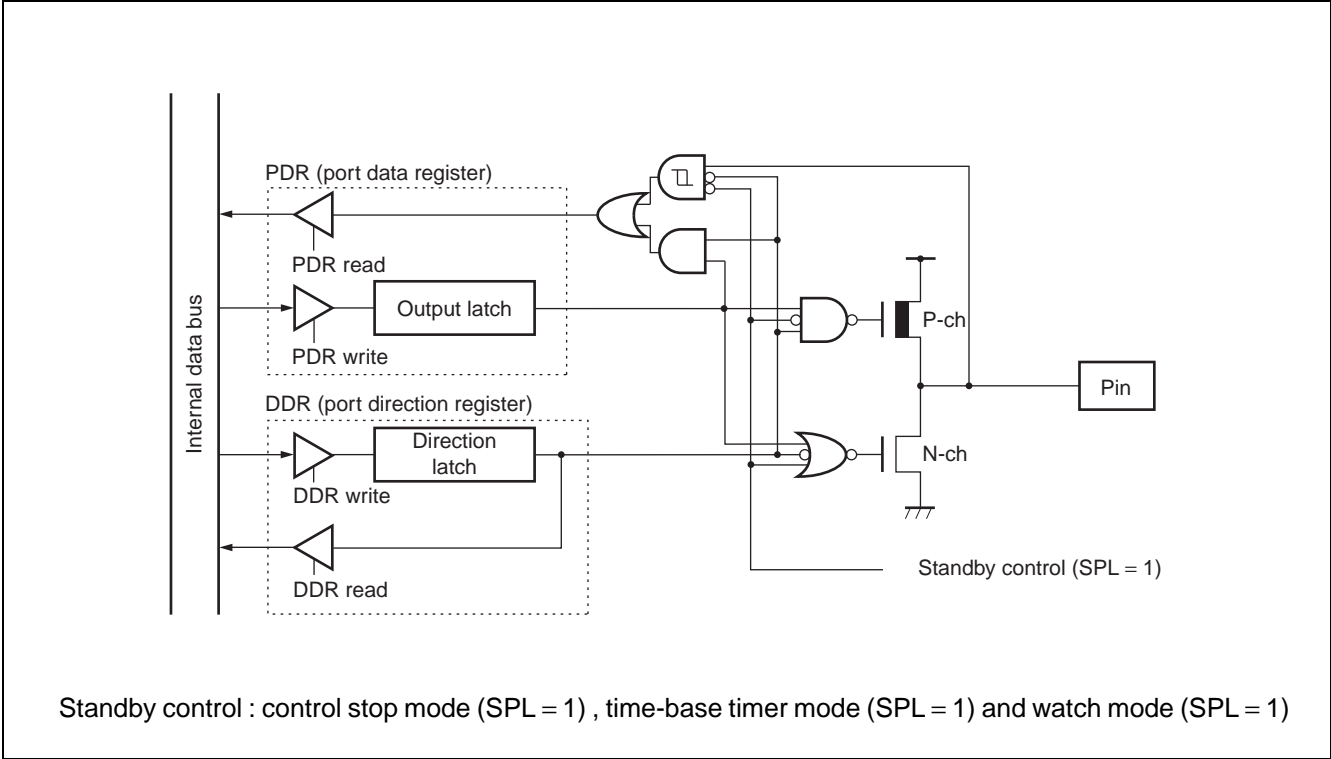
General-purpose (parallel) I/O ports can be used as the I/O ports. The MB90495G Series has 7 ports (49) . Each port doubles as a peripheral device I/O pin.

#### • I/O Port Features

I/O ports output data to I/O pins and load signals input to them, by means of the port data register (PDR) . Additionally, the port direction register (DDR) sets the I/O direction of the I/O pins at the bit level. Below is a description of each pin's function, and the peripheral device that shares it.

- Port 0 : general-purpose I/O port/doubles as external address data bus pin
- Port 1 : general-purpose I/O port/doubles as PPG timer output, input capture input, and external address data bus pin
- Port 2 : general-purpose I/O port/doubles as reload timer I/O, external interrupt input pin, and external address bus pin
- Port 3 : general-purpose I/O port/doubles as UART0 I/O, free-run timer, and A/D converter startup trigger pin
- Port 4 : general-purpose I/O port/doubles as UART1 I/O, and CAN controller transmit/receive pin
- Port 5 : general-purpose I/O port/doubles as analog input pin
- Port 6 : general-purpose I/O port/doubles as external interrupt input pin

• Pin Block Diagram for Port 0 (single chip mode)



• Port 0 register (single chip mode)

- The port 0 register contains the port 0 data register (PDR0) and the port 0 direction register (DDR0) .
- The bits making up the register are in a one-to-one relation to the port 0 pin.

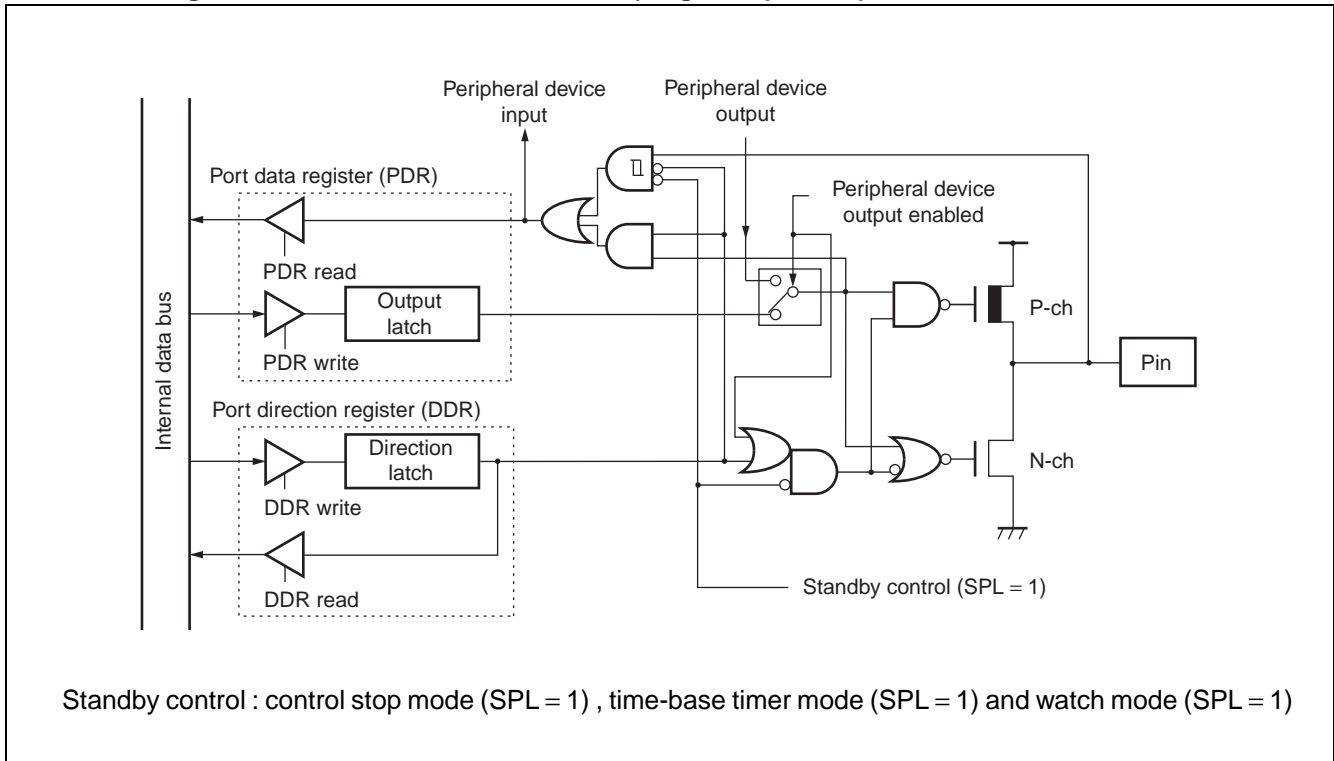
Compatibility between port 0 register and pin

Port Name	Related register bit and corresponding pin								
	PDR0, DDR0	bit7	bit6	bit5	bit4	bit3	bit2	bit1	bit0
Port 0	Corresponding pin	P07	P06	P05	P04	P03	P02	P01	P00



# MB90495G Series

- **Block Diagram for Pins of Ports 1, 2, 3 and 4 (single-chip mode)**



- **Port 1 register (single-chip mode)**

- The port1 register contains the port 1 data register (PDR1) and the port 1 direction register (DDR1) .
- The bits making up the register are in a one-to-one relationship with the port 1 pins.

### Port 1 Register and Corresponding Pins

Port Name	Related register bit and corresponding pin								
	PDR1, DDR1	bit7	bit6	bit5	bit4	bit3	bit2	bit1	bit0
Port 1	Corresponding pin	P17	P16	P15	P14	P13	P12	P11	P10

- **Port 2 register**

- The port2 register contains the port 2 data register (PDR2) , the port 2 direction register (DDR2) and the high address control register (HACR).
- The high address control register (HACR) enables or disables the output of external addresses (A16 to A23). When the register enables the output of the external addresses, the port can not be used as a peripheral device and a general-purpose I/O port.
- The bits making up the register are in a one-to-one relationship with the port 2 pins.

### Port 2 Register and Corresponding Pins

Port Name	Related register bit and corresponding pin								
Port 2	PDR2, DDR2, HACR	bit7	bit6	bit5	bit4	bit3	bit2	bit1	bit0
	Corresponding pin	P27	P26	P25	P24	P23	P22	P21	P20

- **Port 3 register**

- The port3 register contains the port 3 data register (PDR3) and the port 3 direction register (DDR3) .
- The bus control signal selection register (ECSR) enables or disables the input and output of external bus control signals (WRL / WRH, HRQ / HAK, RDY, CLK). When the register enables the input and output of the external bus control signals, the port can not be used as a peripheral device and a general-purpose I/O port.
- The bits making up the register are in a one-to-one relationship with the port 3 pins.

### Port 3 Register and Corresponding Pins

Port Name	Related register bit and corresponding pin								
Port 3	PDR3, DDR3	bit7	bit6	bit5	bit4	bit3	bit2	bit1	bit0
	ECSR	CKE	RYE	HDE		WRE		—	
	Corresponding pin	P37	P36	P35	P34	P33	P32	P31	P30

- **Port 4 register**

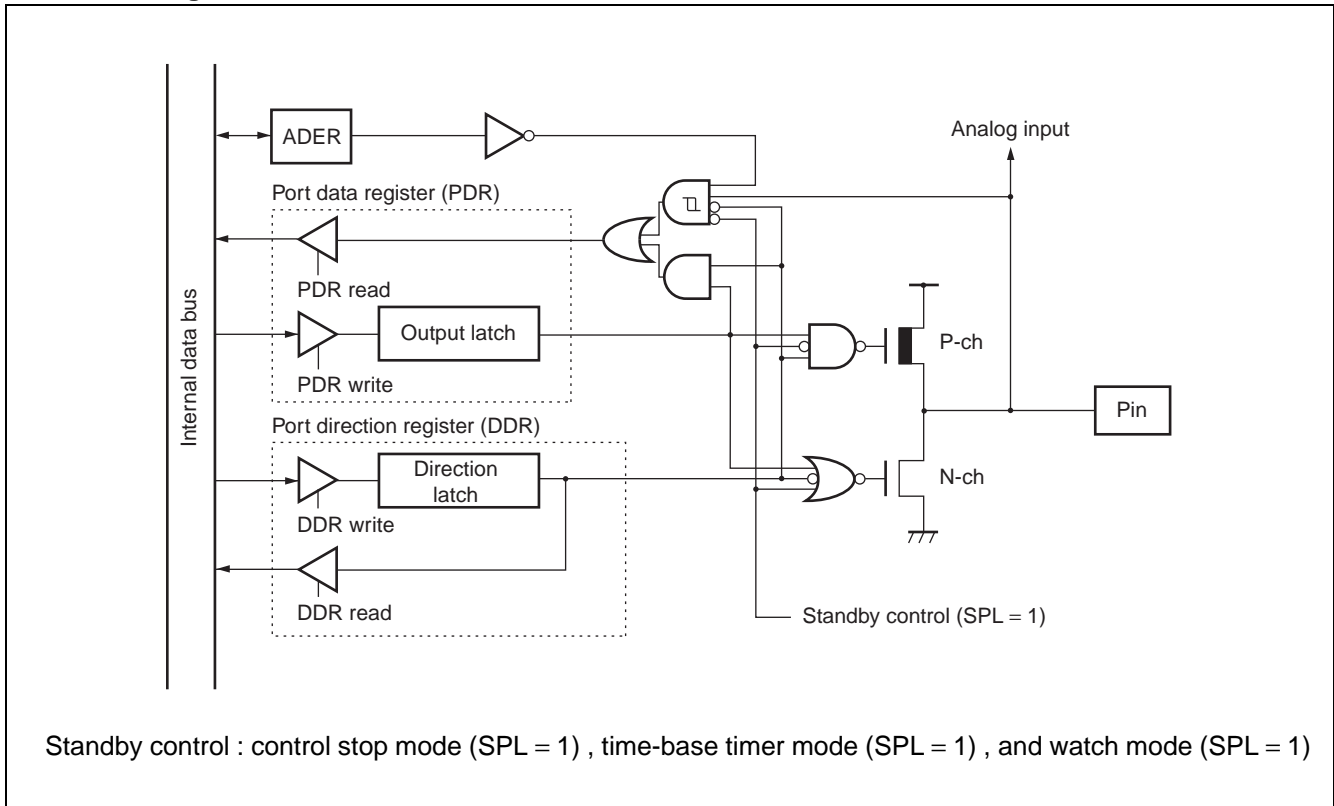
- The port4 register contains the port 4 data register (PDR4) and the port 4 direction register (DDR4) .
- The bits making up the register are in a one-to-one relationship with the port 4 pins.

### Port 4 Register and Corresponding Pins

Port Name	Related register bit and corresponding pin								
Port 4	PDR4, DDR4	—	—	—	bit4	bit3	bit2	bit1	bit0
	Corresponding pin	—	—	—	P44	P43	P42	P41	P40

# MB90495G Series

## • Block Diagram of Port 5 Pins



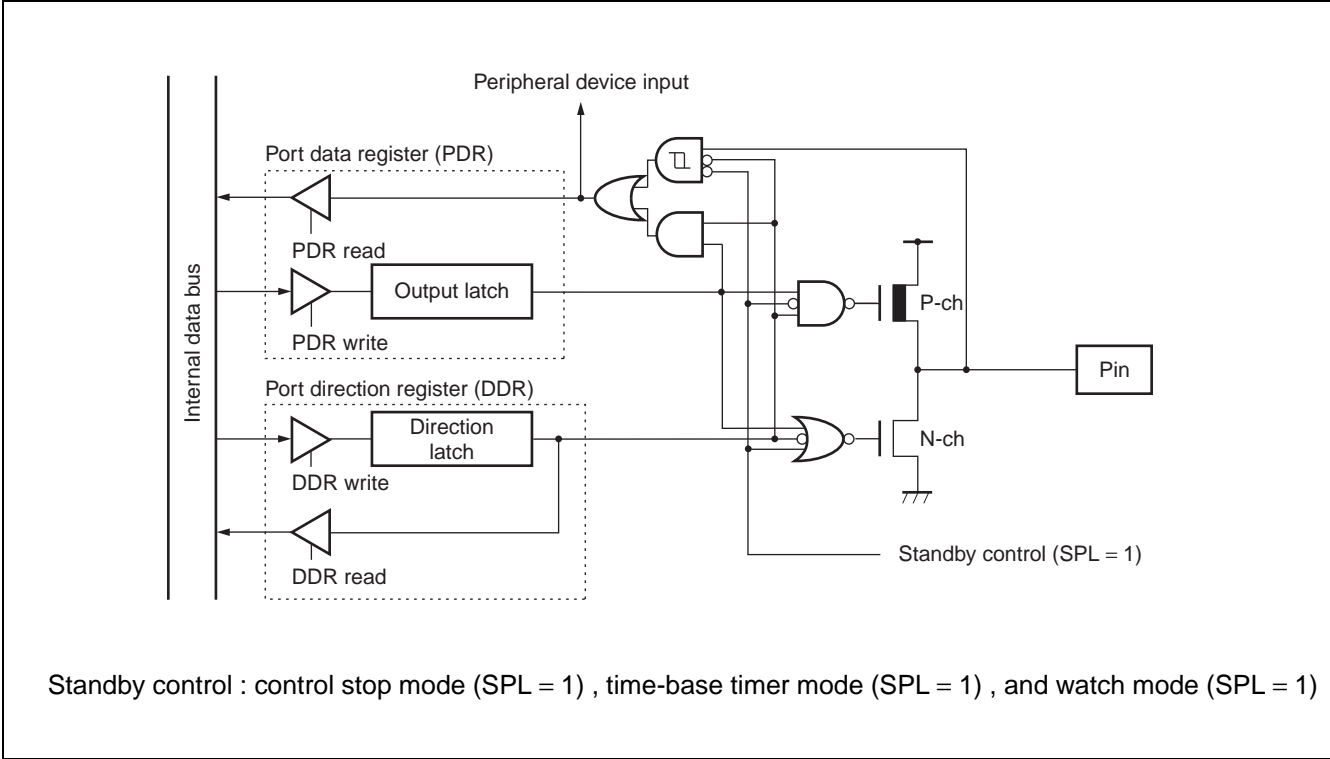
### • Port 5 register

- The port 5 register contains the port 5 data register (PDR5) , the port 5 direction register (DDR5) and the analog input enable register (ADER) .
- The analog data enable register (ADER) enables or disables the input of analog signals by the analog input pin.
- The bits making up the register are in a one-to-one correspondence with the pins of port 5.

### Port 5 Register and Corresponding Pins

Port Name	Related register bit and corresponding pin								
	PDR5, DDR5	bit7	bit6	bit5	bit4	bit3	bit2	bit1	bit0
Port 5	ADER	ADE7	ADE6	ADE5	ADE4	ADE3	ADE2	ADE1	ADE0
	Corresponding pin	P57	P56	P55	P54	P53	P52	P51	P50

• **Block Diagram of Port 6 Pins**



- **Port 6 register**
- The port 6 register contains the port 6 data register (PDR6) and the port 6 direction register (DDR6) .
- The bits making up the register are in a one-to-one relationship with the port 6 pins.

**Port 6 Register and Corresponding Pins**

Port Name	Related register bit and corresponding pin								
	PDR6, DDR6	bit7	bit6	bit5	bit4	bit3	bit2	bit1	bit0
Port 6	Corresponding pin	—	—	—	—	P63	P62	P61	P60



## 3. Watchdog Timer

The watchdog timer is a 2-bit timer used as a count clock for the timer-based or watch timer.

If the counter is not cleared within the interval time, it resets the CPU.

### • Watchdog Timer Function

- The watchdog timer is a timer counter used to deal with runaway programs. Once the watchdog timer is launched, it is necessary to keep clearing its counter within the specified interval. If the specified interval passes without the watchdog timer counter being cleared, the CPU will be reset. This feature is called the watchdog timer.
- The watchdog timer interval traces back to the clock interval input as the count clock. A watchdog reset is generated for the smallest to largest times.
- The clock source output destination is set by the watchdog clock selection bit of the watch timer control register (WTC : WDSCS) .
- The watchdog timer interval is set time-base timer output selection bit/watch timer output selection bit of the watchdog timer control register (WDTC : WT1, WT0) .

### Watchdog Timer Intervals

Minimum	Maximum	Clock Interval	Minimum	Maximum	Clock Interval
Approx. 3.58 ms	Approx. 4.61 ms	$2^{14} \pm 2^{11}/$ HCLK	Approx. 0.457 s	Approx. 0.576 s	$2^{12} \pm 2^9/$ SCLK
Approx. 14.33 ms	Approx. 18.3 ms	$2^{16} \pm 2^{13}/$ HCLK	Approx. 3.584 s	Approx. 4.608 s	$2^{15} \pm 2^{12}/$ SCLK
Approx. 57.23 ms	Approx. 73.73 ms	$2^{18} \pm 2^{15}/$ HCLK	Approx. 7.168 s	Approx. 9.216 s	$2^{16} \pm 2^{13}/$ SCLK
Approx. 458.75 ms	Approx. 589.82 ms	$2^{21} \pm 2^{18}/$ HCLK	Approx. 14.336 s	Approx. 18.432 s	$2^{17} \pm 2^{14}/$ SCLK

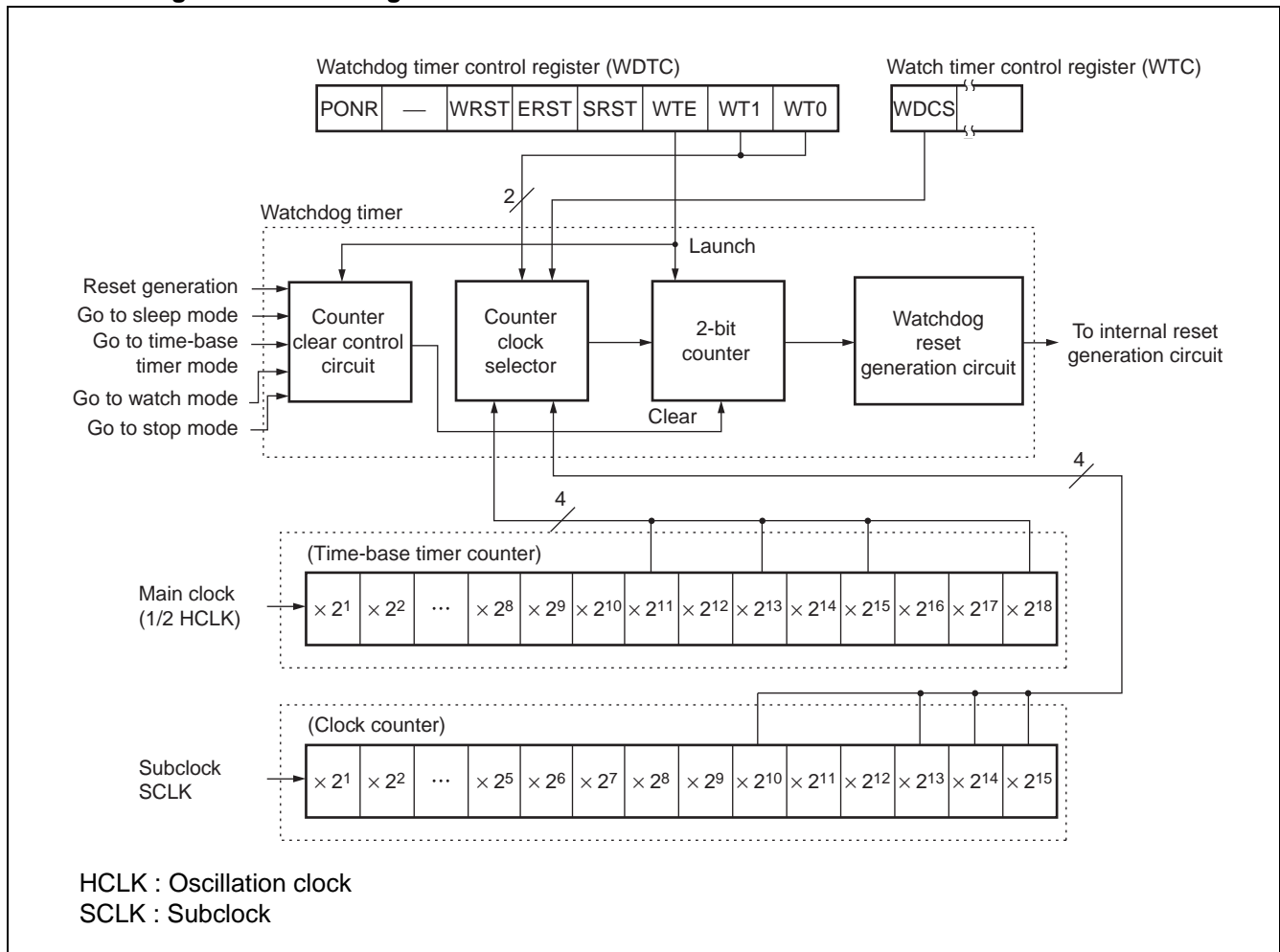
HCLK : oscillation clock (4 MHz) ; SCLK : Subclock (8.192 kHz)

Notes: • If the count clock of the watchdog timer is set to time-base timer output (overflow signal) , then clearing the time-base timer could make it take longer to reset the watchdog.

- If you are using a subclock as the machine clock, make sure to select watch timer output by setting the watchdog timer clock source selection bit (WDSCS) of the watch timer control register (WTC) to 0.

# MB90495G Series

## • Watchdog Timer Block Diagram



## 4. 16-bit I/O Timer

The 16-bit I/O timer is a complex module comprising one 16-bit free-run timer, and two input capture units (4 input pins) . Clock interval input signals and pulse widths can be measured based on the 16-bit free-run timer.

- **16-bit I/O Timer Configuration**

The 16-bit I/O timer is made up of the following modules :

- One 16-bit free-run timer
- Two input capture units (each unit having 2 input pins)

- **16-bit I/O Timer Function**

### (1) 16-bit free-run timer function

The 16-bit free-run timer consists of a 16-bit up counter, a time counter control status register, and prescaler. The 16-bit up counter counts up in synchronization with a fraction of the machine clock.

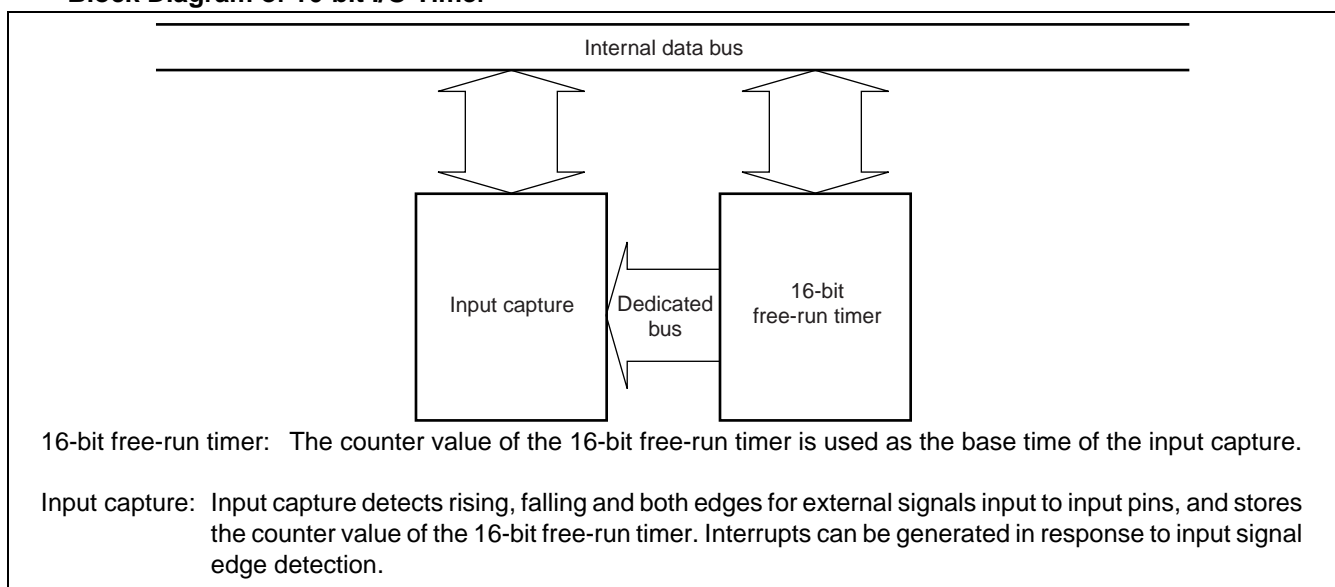
- The count clock can be set to one of eight fractions of the machine clock. The external clock signals input to the 16-bit free-run timer clock input pin (FRCK) can be used as the count clock.
- Interrupts can be generated in response to counter value overflows.
- Interrupts launch the extended intelligent I/O service (EI<sup>2</sup>OS) .
- The count value of the 16-bit free-run timer can be cleared to “0000H” by either a reset, or software clear via the timer count clear bit (TCCS : CLR) .
- The count value of the 16-bit free-run timer is output to the input capture, and used as the base time for capture operation.

### (2) Input Capture Function

When the input capture detects that an external signal edge has been input to an input pin, it stores the count value of the 16-bit free-run timer in the input capture data register, for the point at which the edge was detected. The input capture consists of an input capture register corresponding to four I/O pins, an input capture control status register, and an edge detection circuit.

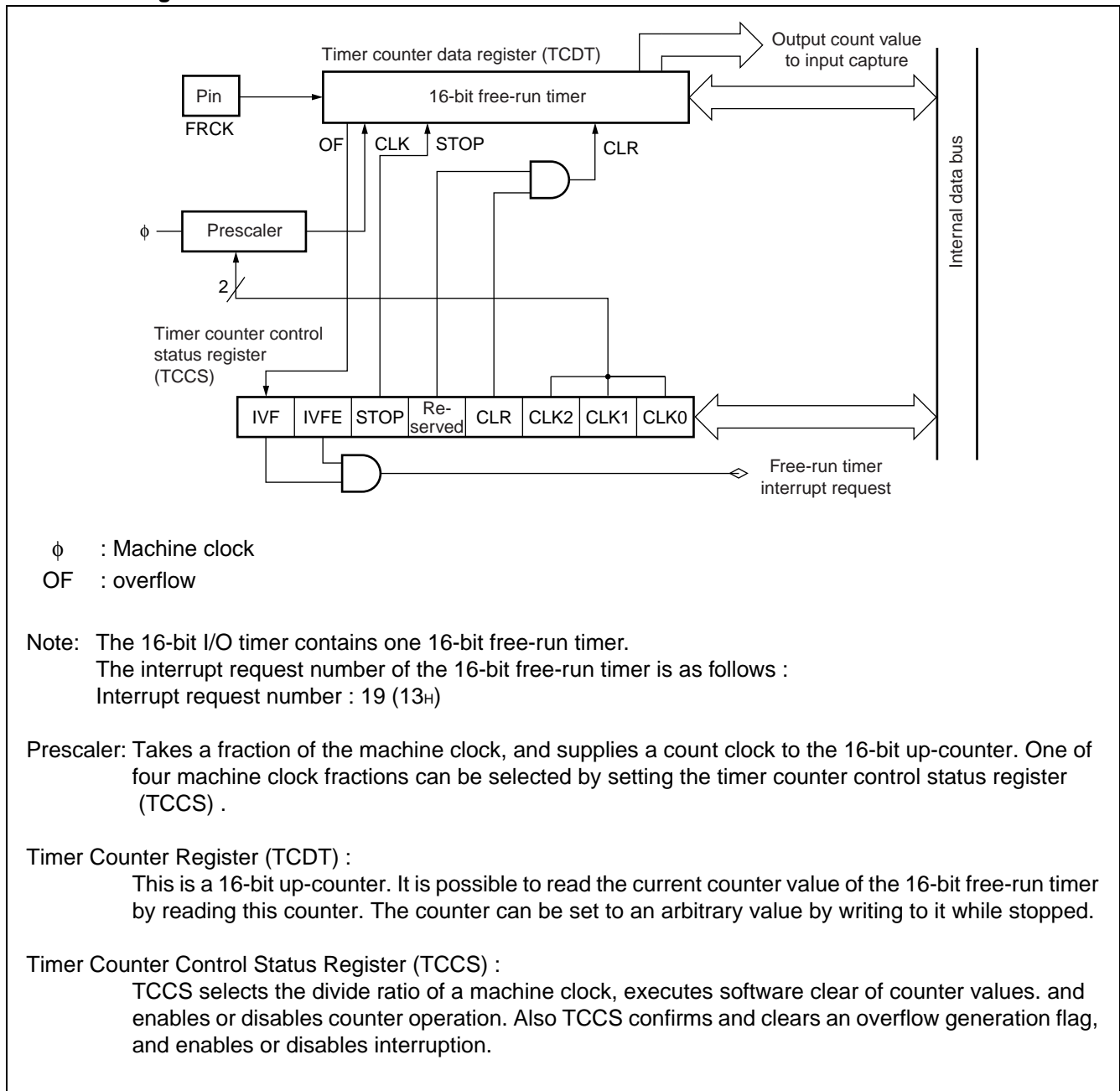
- When an edge is detected, either rising, falling, or both can be selected.
- An interrupt request can be generated to the CPU when an input signal edge is detected.
- Interrupts launch the extended intelligent I/O service (EI<sup>2</sup>OS) .
- Since the input capture has four pairs of input pins and input capture data registers, it can measure up to 4 phenomena.

- **Block Diagram of 16-bit I/O Timer**

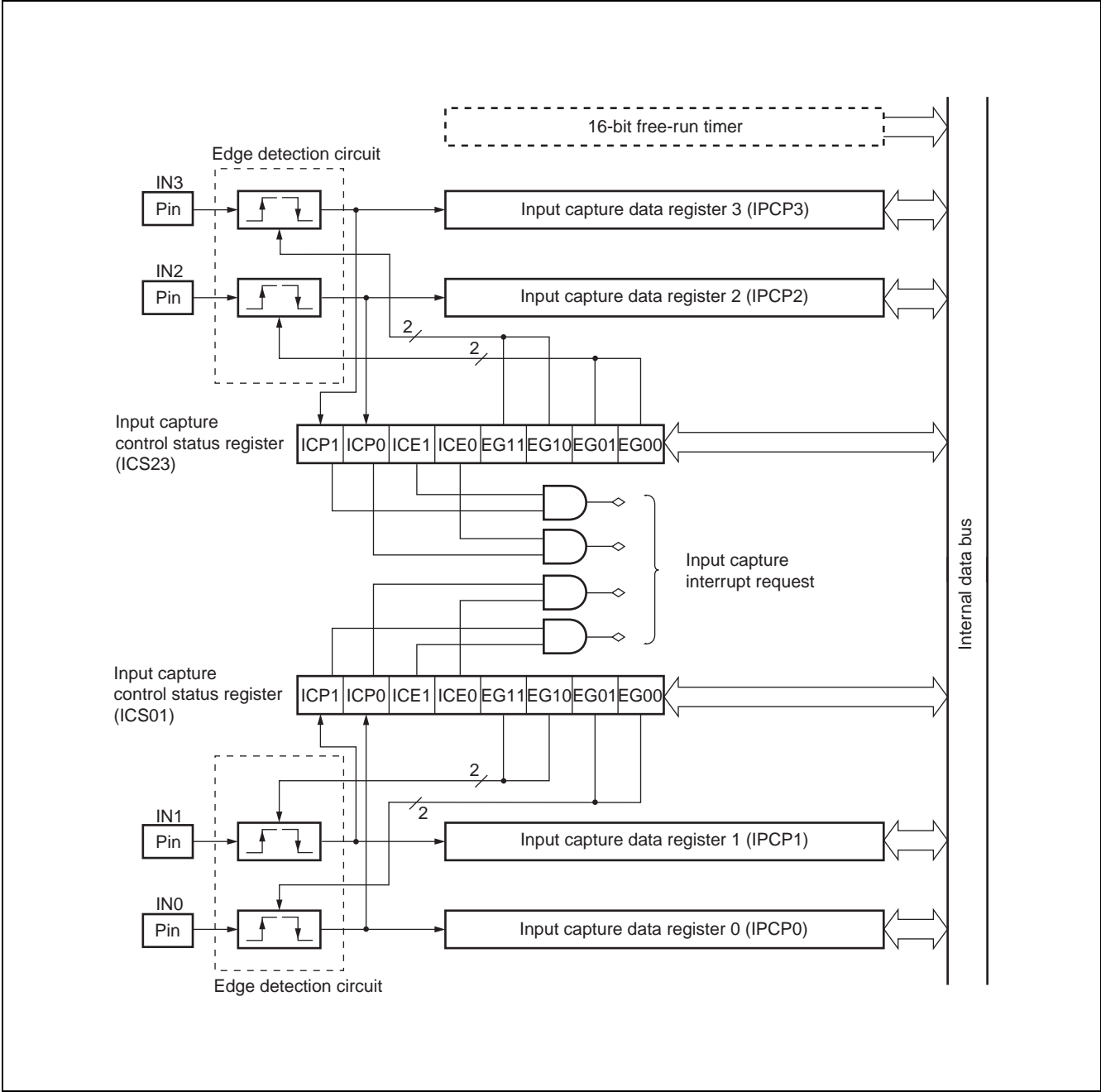




## • Block Diagram of 16-bit Free-run Timer



• Input Capture Block Diagram



## 5. 16-bit Reload Timer

The functions of the 16-bit reload timer are as follows :

- Choose one of three internal clocks or an external event clock as the count clock.
- Choose a software or external launch trigger.
- An interrupt can be sent to the CPU in response to an underflow generated by the 16-bit timer register. Interrupts can be used to utilize the timer as an interval timer.
- When an underflow is generated by the 16-bit timer register (TMR) , select one-shot mode, where TMR counter operation is halted, or reload mode, where the 16-bit reload register value is reloaded, and TMR count operation continues.
- Supports extended intelligent I/O service (EI<sup>2</sup>OS) .
- The MB90495G Series features two on-chip 16-bit reload timer channels.

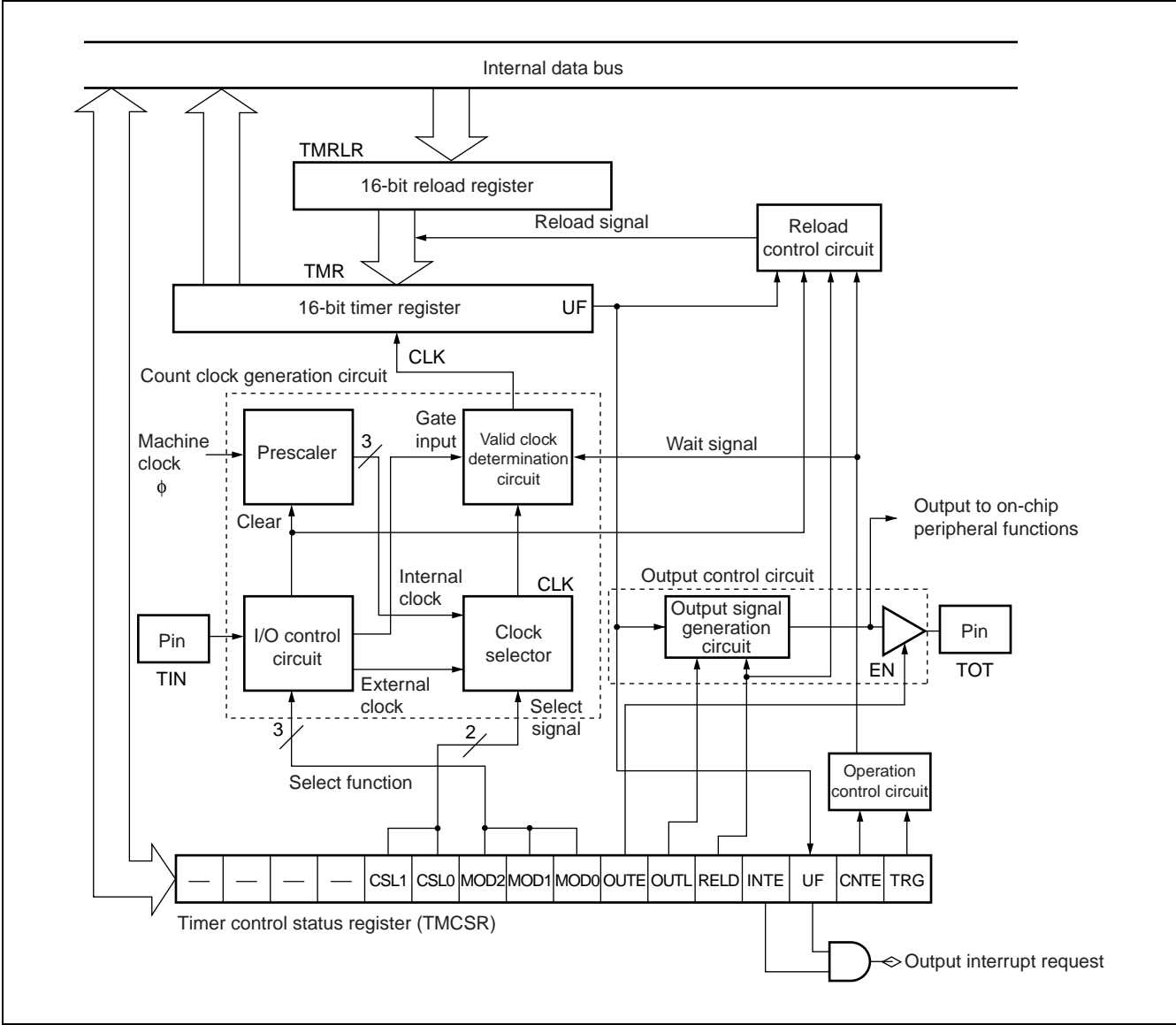
### • 16-bit Reload Timer Operation Mode

Count Clock	Launch Trigger	Operation in Case of Underflow
Internal clock mode	Software trigger External trigger	One-shot mode Reload mode
Event count mode	Software trigger	One-shot mode Reload mode

### • Internal Clock Mode

- Set the count clock selection bits of the timer control status register (TMCSR : CSL1, CSL0) to “00<sub>B</sub>”, “01<sub>B</sub>” or “10<sub>B</sub>” to set the 16-bit reload timer to internal clock mode.
- In internal clock mode, the timer counts down in synchronization with the internal clock.
- Set the count clock selection bits of the timer control status register (TMCSR : CSL1, CSL0) to select one of three count clock intervals.
- Select software-triggered or externally triggered (edge detection) launch.

• 16-bit Reload Timer Block Diagram



## 6. Watch Timer

The watch timer is a 15-bit free-run counter that counts up in synchronization with the subclock.

- Eight different intervals can be selected, and interrupt requests generated for each interval time.
- Supplies a timer for subclock oscillation stabilization standby, and an operational clock for the watchdog timer.
- The subclock is always the count clock, regardless of the clock selection register (CKSCR) setting.

### • Interval timer feature

- When the interval time set by the interval time selection bits (WTC : WTC2 to WTC0) is reached, the clock timer generates an overflow in the bits corresponding to the interval time of the watch timer counter, and sets the overflow flag bit (WTC : WTOF = 1) .
- Interrupts arising from overflows are enabled (WTC : WTIE = 1) , an interrupt request is generated when the overflow flag bit is set (WTC : WTOF = 1) .
- Select from one of the following 8 watch timer intervals :

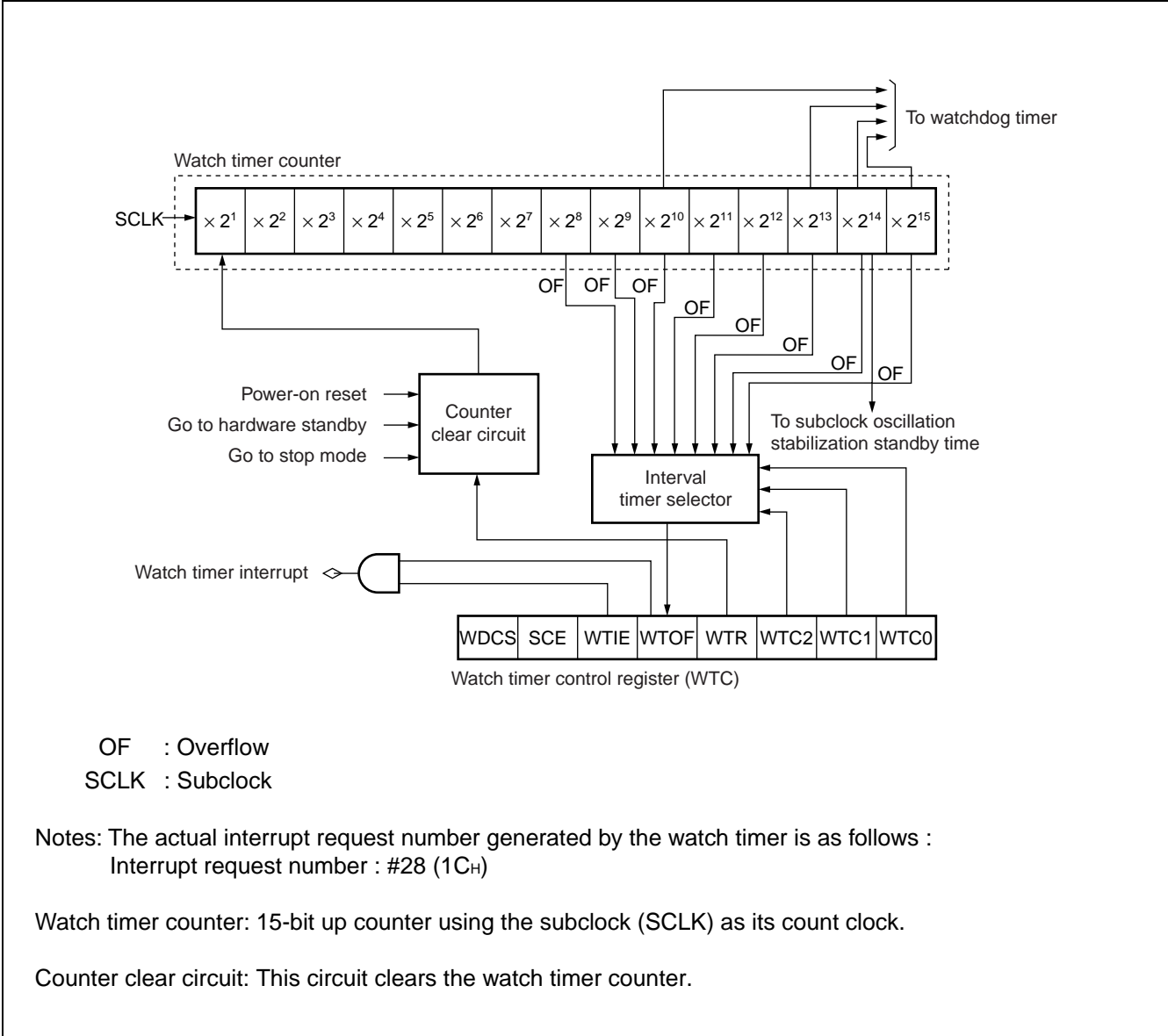
### Clock Timer Interval Times

Subclock Frequency	Interval Time
1/SCLK (122 μs)	$2^8/\text{SCLK}$ (31.25 ms)
	$2^9/\text{SCLK}$ (62.5 ms)
	$2^{10}/\text{SCLK}$ (125 ms)
	$2^{11}/\text{SCLK}$ (250 ms)
	$2^{12}/\text{SCLK}$ (500 ms)
	$2^{13}/\text{SCLK}$ (1.0 s)
	$2^{14}/\text{SCLK}$ (2.0 s)
	$2^{15}/\text{SCLK}$ (4.0 s)

SCLK : Subclock frequency

Figures in parentheses ( ) are a sample calculation with the subclock running at 8.192 kHz.

• Watch Timer Block Diagram



## 7. 8/16-Bit PPG

The 8/16-bit PPG timer is a 2-channel reload timer module (PPG0, PPG1) capable of arbitrary synchronization and pulse output of duty ratio. Combining the 2 channel module can yield the following behavior :

- 8-bit PPG output, 2-channel independent operation mode
- 16-bit PPG output operation mode
- 8 + 8-bit PPG output operation mode

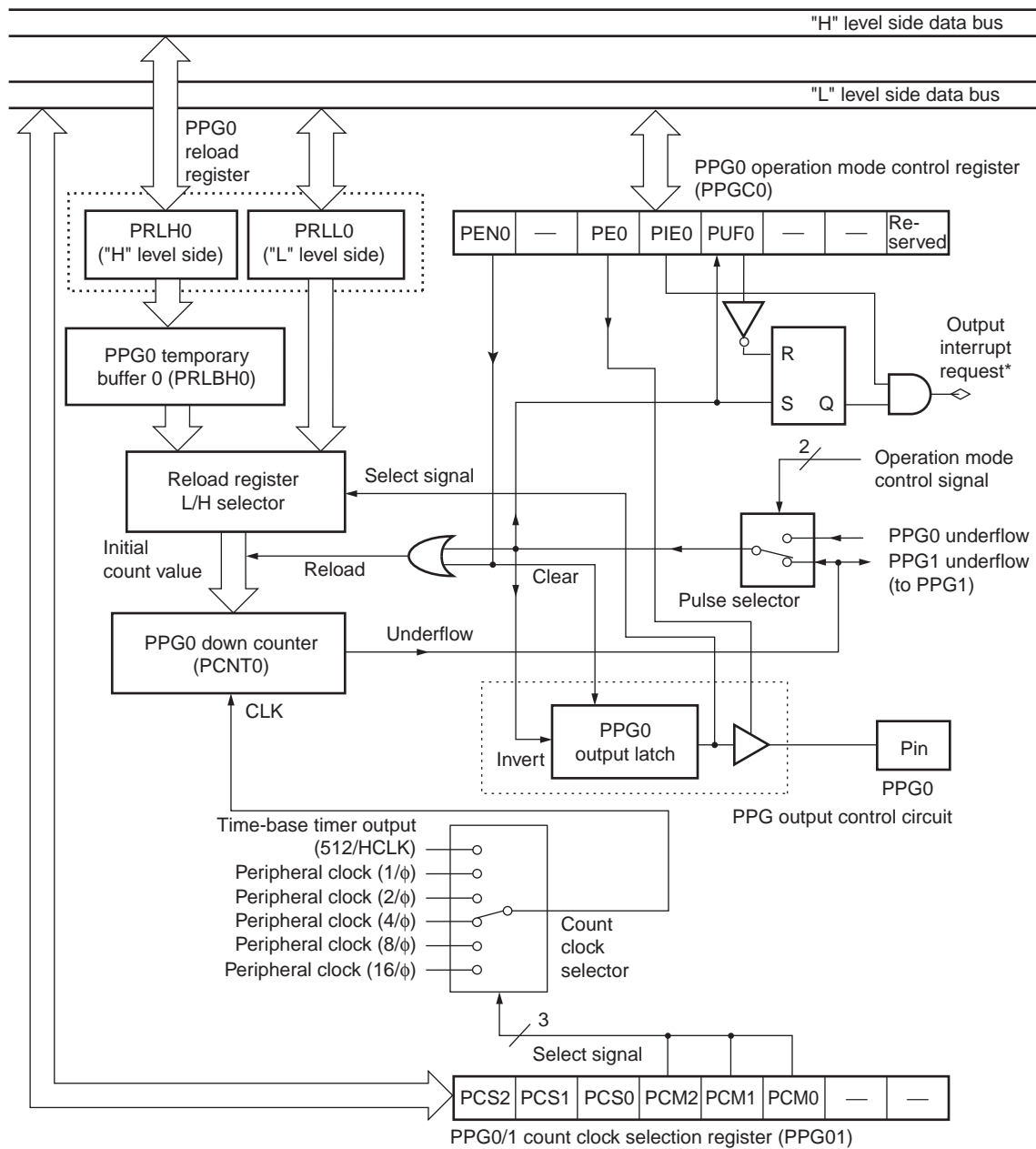
The MB90495G Series features two on-chip, 8/16-bit PPG timers. This section describes the functions of PPG0/1. PPG2/3 has the same functions as PPG0/1.

### • 8/16-bit PPG Timer Functions

The 8/16-bit PPG timer is made up of four 8-bit reload registers (PRLH0/PRLLO, PRLH1/PRL1) , and two PPG down counters (PCNT0, PCNT1) .

- Since you can set each output pulse to “H” or “L” width independently, the interval and duty ratio of each pulse can be set to an arbitrary value.
- Select one of 6 internal clocks as the count clock.
- Interrupt requests can be generated for each interval time, allowing the timer to be used as an interval timer.
- The use of an external circuit allows the timer to be used as a D/A converter.

## • Block Diagram of 8/16-Bit PPG Timer 0



— : Undefined

Reserved : Reserved bit

HCLK : Oscillation clock frequency

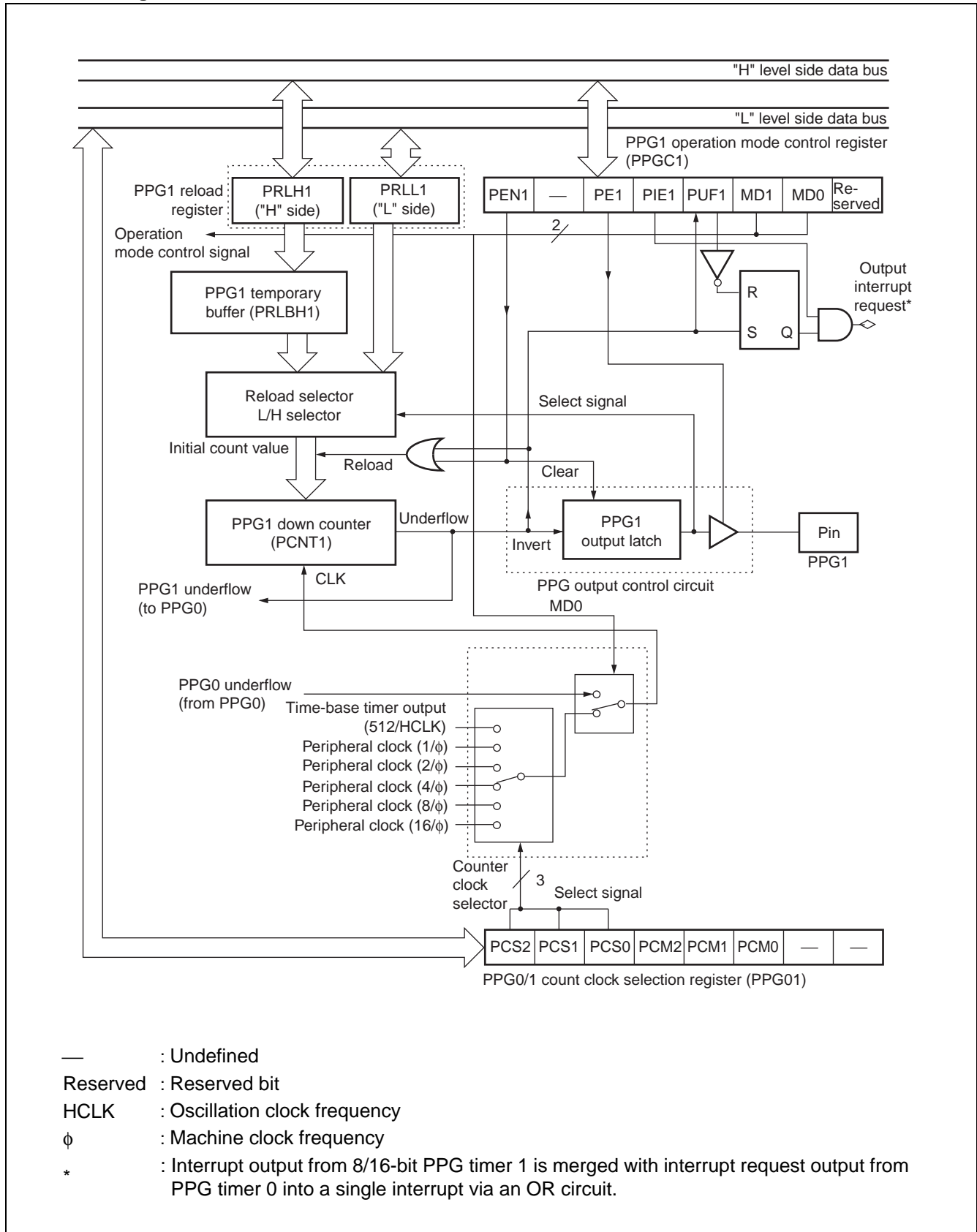
φ : Machine clock frequency

\* : Interrupt output from 8/16-bit PPG timer 0 is merged with interrupt request output from PPG timer 1 into a single interrupt via an OR circuit.



# MB90495G Series

## • Block Diagram of 8/16-Bit PPG Timer1



## 8. Delayed Interrupt Generation Module

The delayed interrupt generation module generates interrupts for switching tasks.

This module can be used to generate hardware interrupts from the software.

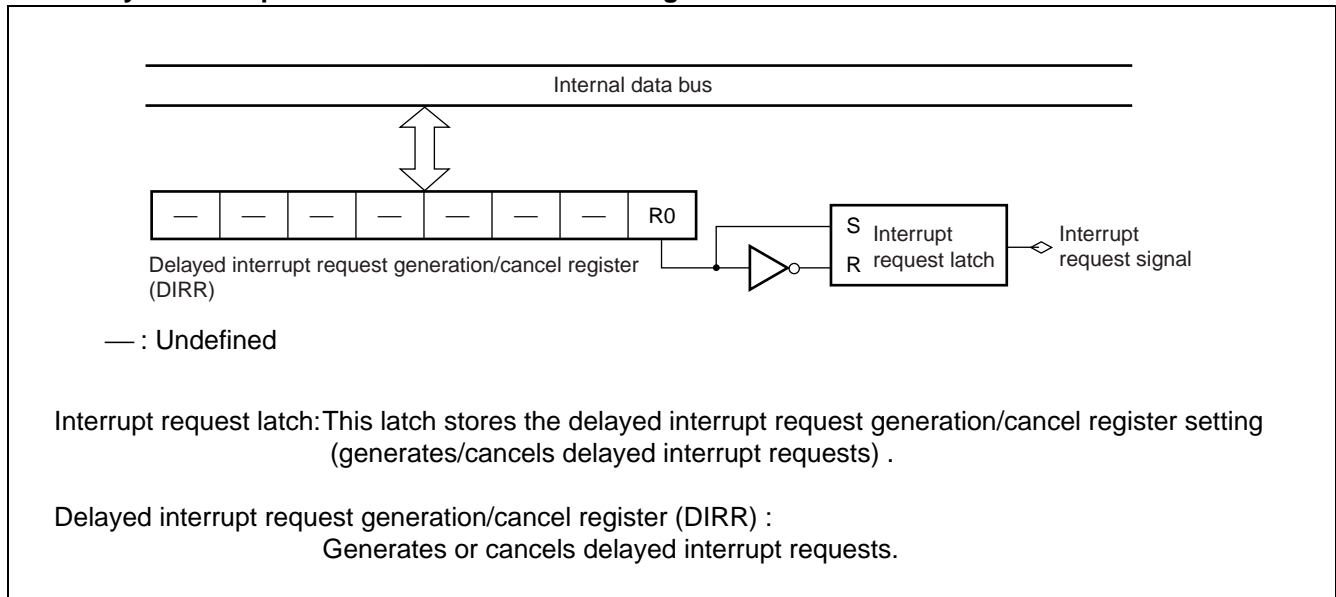
### • Overview of the Delayed Interrupt Generation Module

Use the delayed interrupt generation module to generate or cancel hardware interrupts from the software.

### Overview of the Delayed Interrupt Generation Module

	Functions and Control
Interrupt Condition	When the R0 bit of the delayed interrupt request generation/cancel register is set to 1 (DIRR : R0 = 1) : Generate interrupt request When the R0 bit of the delayed interrupt request generation/cancel register is set to 0 (DIRR : R0 = 0) : Cancel interrupt request
Interrupt number	#42 (2A <sub>H</sub> )
Interrupt control	There is no enable setting from the register
Interrupt flag	Stored in bit DIRR : R0
EI <sup>2</sup> OS	Does not support extended intelligent I/O service

### • Delayed Interrupt/Generation Module Block Diagram



### • Interrupt number

Below is the interrupt number used by the delayed interrupt generation module.

Interrupt number : #42 (2A<sub>H</sub>)

## 9. DTP/External Interrupts

The DTP/external interrupt transmits interrupt requests or data transfer requests generated by peripheral devices to the CPU, generates external interrupt request, and starts the extended intelligent I/O service (EI<sup>2</sup>OS) .

### • DTP/External Interrupt Functions

Outputs interrupt requests from external peripheral devices to the CPU using the same procedure as for peripheral functions, and generates external interrupts, or starts the extended intelligent I/O service (EI<sup>2</sup>OS) .

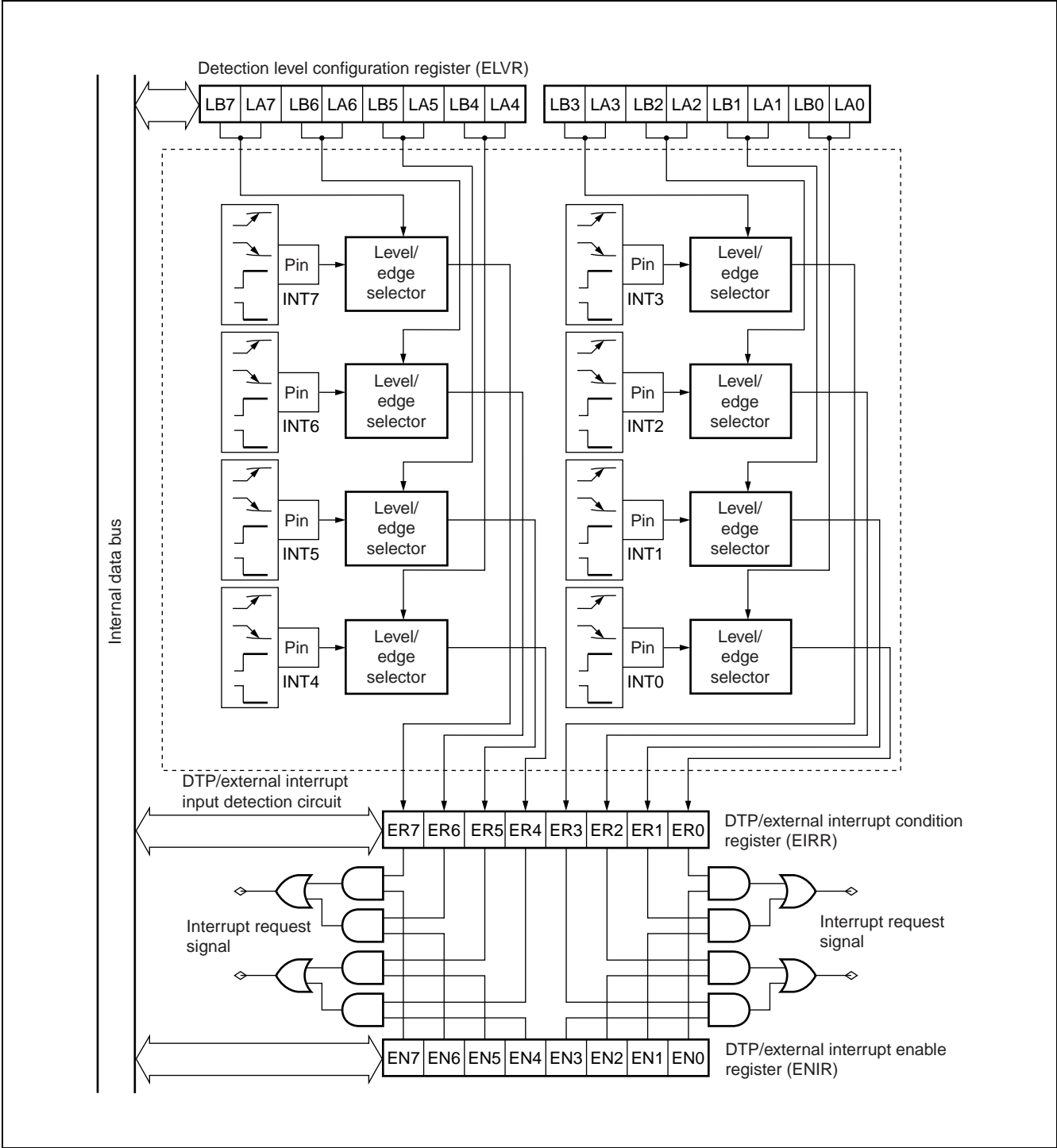
If the interrupt control register is configured to prohibit the extended intelligent I/O service (EI<sup>2</sup>OS) (ICR : ISE = 0) , then the external interrupt feature becomes valid, and the process branches into interrupt processing.

If the EI<sup>2</sup>OS is enabled (ICR : ISE = 1) , then the DTP function becomes valid, and the EI<sup>2</sup>OS automatically transmits data, and after transmitting data a specified number of times, branches into interrupt processing.

### Overview of DTP/External Interrupts

	External interrupt	DTP functions
Input pins	8 (INT0 to INT7)	
Interrupt condition	Each pin sets individually in the detection level configuration register (ELVR)	
	"H" / "L" level/rising edge/falling edge input	"H" / "L" level input
Interrupt numbers	#15 (0FH) , #20 (14H) , #24 (18H) , #27 (1BH)	
Interrupt control	The DTP/external interrupt enable register (ENIR) enables or prohibits interrupt request output	
Interrupt flag	Interrupt conditions stored by DTP/external interrupt condition register (EIRR)	
Process selection	Set EI <sup>2</sup> OS to be prohibited (ICR : ISE = 0)	Set EI <sup>2</sup> OS to be enabled (ICR : ISE = 1)
Processing	Branch to external interrupt process	After the EI <sup>2</sup> OS conducts automatic data forwarding the specified number of times, branches to interrupt processing.

• DTP/External Interrupt Block Diagram



## 10. 8/10-bit A/D Converter

The 8/10-bit A/D converter converts analog voltage to 8 or 10-bit digital values, by means of RC successive approximation conversion.

- The input signal can be selected from an 8-channel analog input pin set.
- Select a software trigger, internal timer output, or external trigger as the start trigger.

### • Functions of the 8/10-bit A/D Converter

Converts analog voltage (input voltage) input to the analog input pins to 8-bit or 10-bit digital values. (A/D conversion)

The 8/10-bit A/D converter has the following features :

- Single-channel A/D conversion time is a minimum of 6.12  $\mu$ s, including sampling time.\*
- Single-channel sampling time is a minimum of 2.0  $\mu$ s.\*
- RC-type successive approximation with sampling and hold circuits is used for conversion.
- Select 8 or 10-bit resolution.
- Analog input pins can use up to 8 channels.
- A/D conversion results are stored in the A/D data register, allowing them to be used to generate interrupts.
- Interrupt requests launch the EI<sup>2</sup>OS. Use the EI<sup>2</sup>OS to prevent dropped data even with continuous A/D conversion.
- Select software, internal timer output, or external trigger (falling edge) as the start trigger.

\* : With machine clock operating at 16 MHz

### • Conversion Modes of the 8/10-bit A/D Converter

Conversion Mode	Description
Single conversion mode	Conducts A/D conversion for each channel in turn, from the start channel to the end channel. When A/D conversion of the end channel is completed, the A/D conversion function halts.
Continuous conversion mode	Conducts A/D conversion for each channel in turn, from the start channel to the end channel. When A/D conversion of the end channel is completed, the function returns to the start channel and continues A/D conversion.
Stop conversion mode	Suspends each channel and conducts A/D conversion, one at a time. When A/D conversion of the end channel is completed, the function returns to the start channel and repeats the A/D conversion and channel stop.



# MB90495G Series

## 11. UART0/1

The UART is a general-purpose serial data communications interface for synchronous or asynchronous communication with external devices.

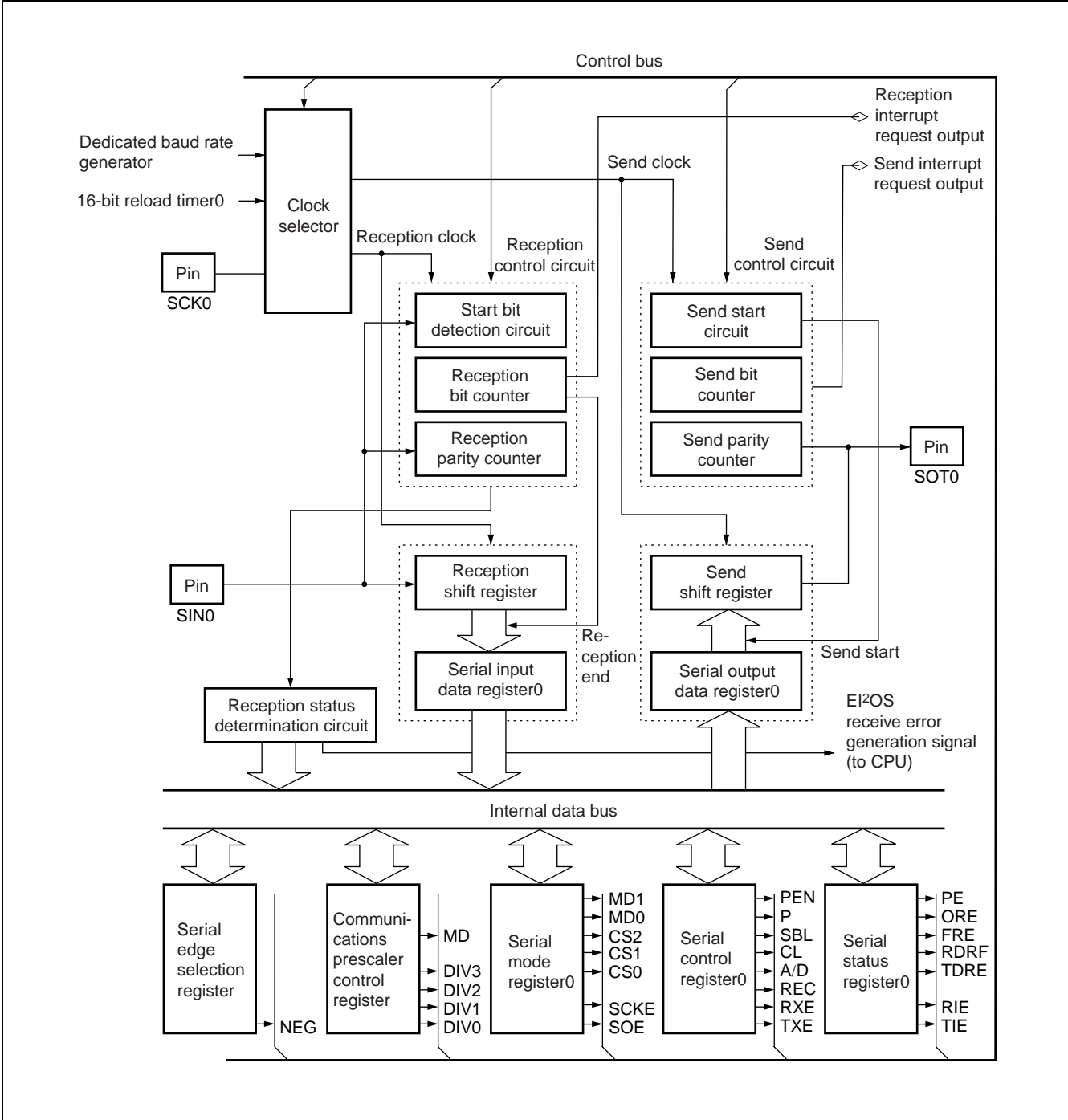
- The UART has a clock-synchronous/clock-asynchronous two-way communications feature .
- Also supplies a master/slave communications feature (multi-processor mode) . (It can be used only master side.)
- Interrupts can be generated upon send complete, receive complete, or reception error detection.
- Supports extended intelligent I/O service (EI<sup>2</sup>OS) .

### • UART0/1 Functions

	Functions
Data Buffer	Full-duplex double buffer
Transfer mode	<ul style="list-style-type: none"><li>• Clock-synchronous (no start, stop, or parity bit)</li><li>• Clock-asynchronous (start-stop synchronization)</li></ul>
Baud Rate	<ul style="list-style-type: none"><li>• Select from 8 dedicated baud rate generators</li><li>• External clock input possible</li><li>• Clock supplied from internal timer (16-bit reload timer) available</li></ul>
Data length	<ul style="list-style-type: none"><li>• 7-bit (asynchronous normal mode only)</li><li>• 8-bit</li></ul>
Signal method	Non Return to Zero (NRZ)
Reception Error Detection	<ul style="list-style-type: none"><li>• Framing error</li><li>• Overrun error</li><li>• Parity error (not available in operation mode 1 (multi processor mode) )</li></ul>
Interrupt Requests	<ul style="list-style-type: none"><li>• Receive interrupt (reception complete, reception error detected)</li><li>• Send interrupt (send complete)</li><li>• Both send and receive support extended intelligent I/O service (EI<sup>2</sup>OS)</li></ul>
Master/Slave Communications Function (In multiprocessor mode)	1-to-n (master to slave) communication available (can only be used as master)

Note : During clock-synchronous forwarding, just the data is forwarded, with no stop or start bit appended.

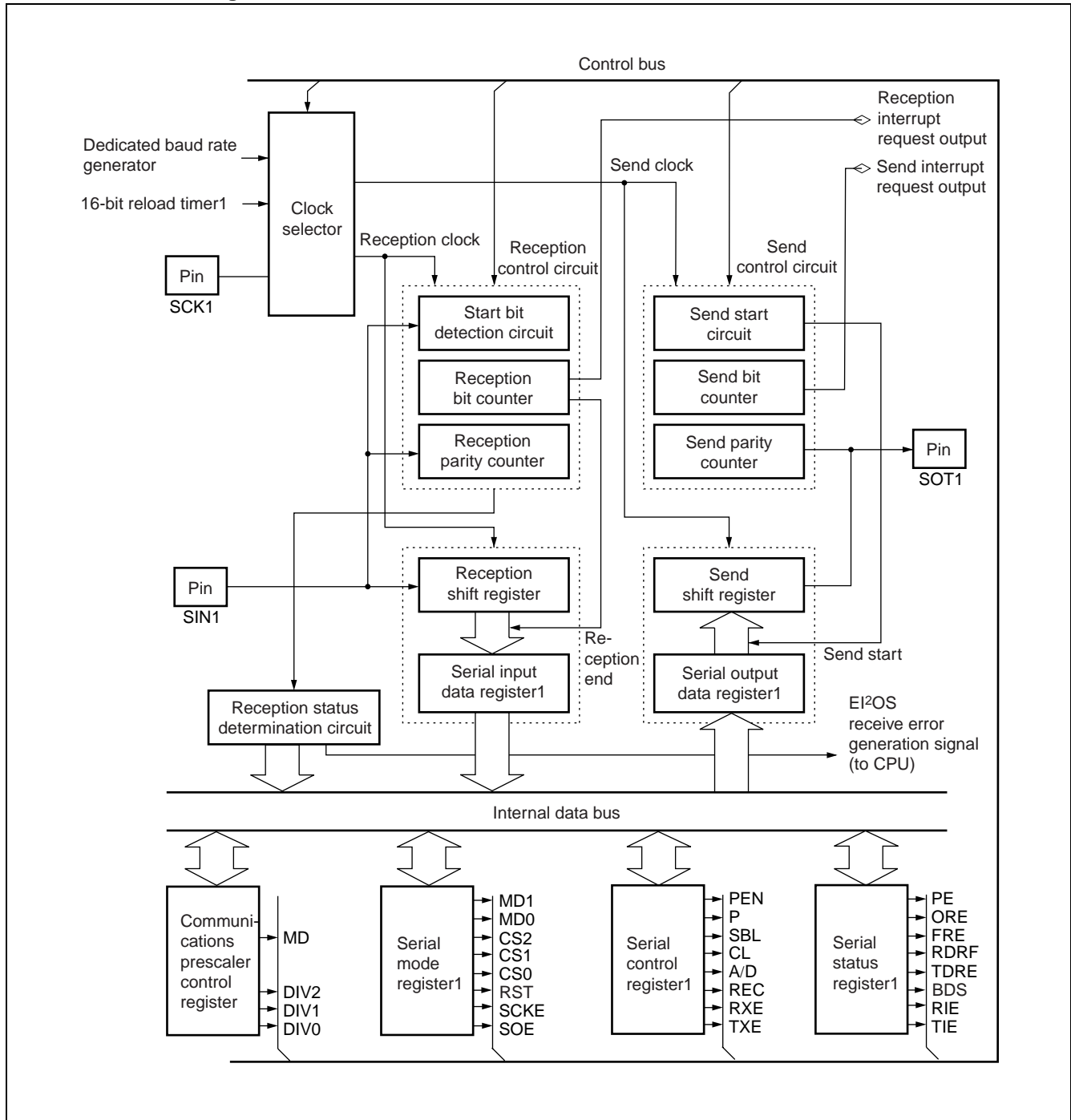
• UART0 Block Diagram





# MB90495G Series

## • UART1 Block Diagram



## 12. CAN Controller

CAN (Controller Area Network) is a serial communications protocol conforming to CAN version 2.0 A and B. Sending and receiving is available in standard and extended frame format.

### • Can Controller Features

- The CAN controller format conforms to CAN versions 2.0 A and B.
- Sending and receiving is available in standard and extended frame format.
- Supports automatic data frame formatting through remote frame reception.
- Baud rate : 10 kbps to 1 Mbps. When using at 1 Mbps, the machine clock must be operated at 8 MHz or more.

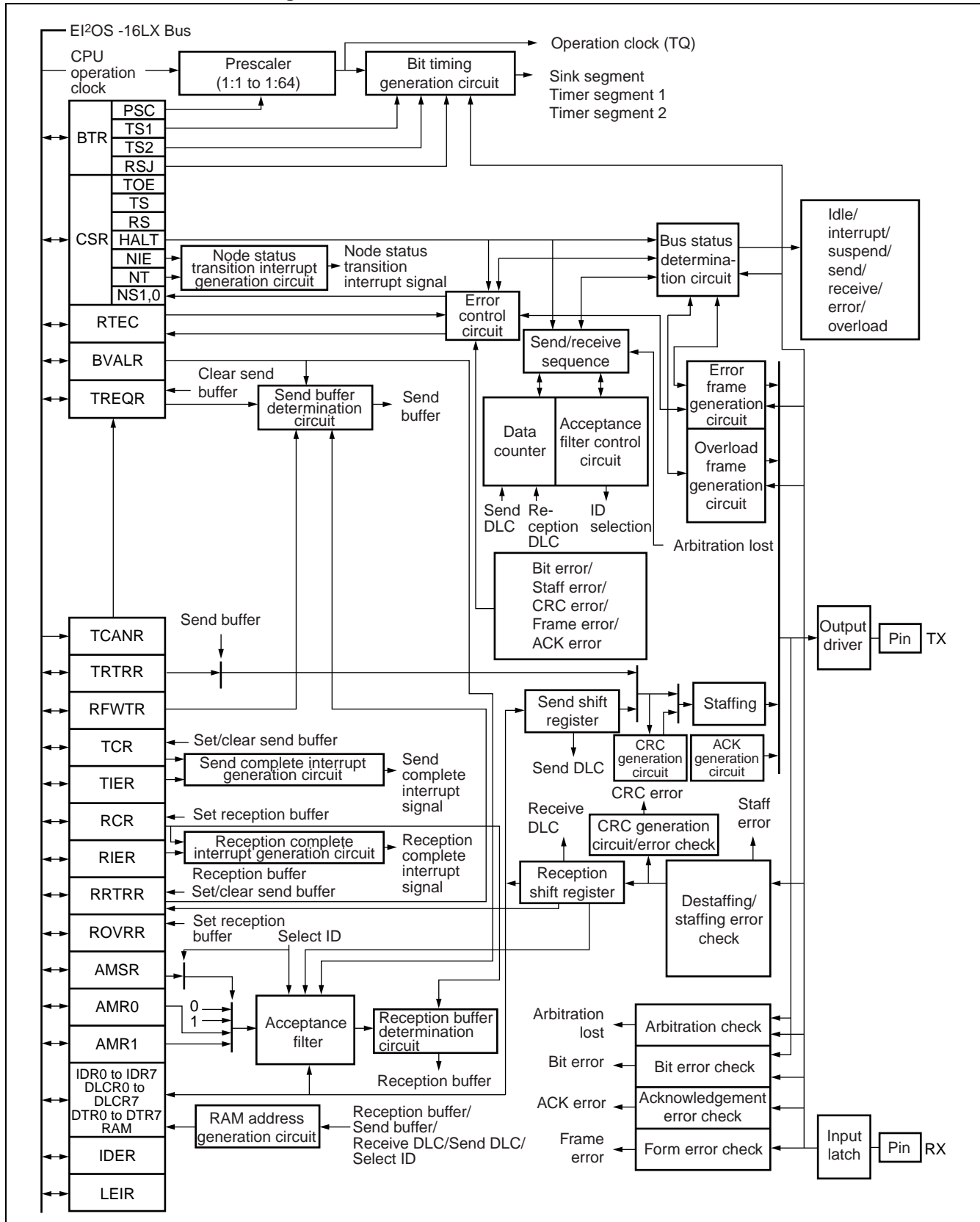
### Data Transmission Baud Rates

Machine clock	Baud rate (Max)
16 MHz	1 Mbps
12 MHz	1 Mbps
8 MHz	1 Mbps
4 MHz	500 kbps
2 MHz	250 kbps

- Supplies 8 send/receive message buffers.
- Sending and receiving available in standard frame format (ID 11-bit) , and extended frame format (ID 29-bit) .
- Message data can be set to 0 to 8 bytes.
- Possible to configure a multi-level message buffer.
- The CAN controller has two built-in acceptance masks, each of which can be set to a different mask for reception message IDs.
- The two acceptance masks can receive in standard or extended frame format.
- Configure four types of partial masks with full-bit compare, full-bit mask, and acceptance mask register 0/1.

# MB90495G Series

## • CAN Controller Block Diagram



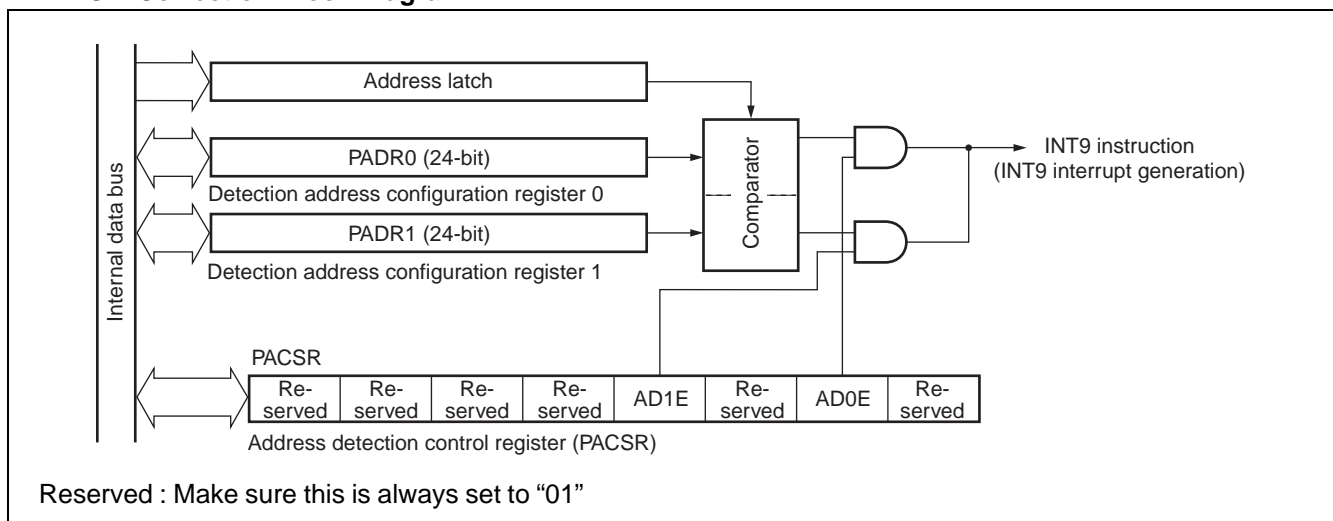
## 13. ROM Correction Function

In the case that the address of the instruction after the one that a program is currently processing matches the address configured in the detection address configuration register, the program forces the next instruction to be processed into an INT9 instruction, and branches to the interrupt process program. Since processing can be conducted using INT9 interrupts, programs can be repaired using batch processing.

### • Overview of the ROM Correction Function

- The address of the instruction after the one that a program is currently processing is always stored in an address latch via the internal data bus. ROM correction constantly compares the address stored in the address latch with the one configured in the detection address configuration register. If the two compared addresses match, the CPU forcibly changes this instruction into an INT9 instruction, and executes an interrupt processing program.
- There are two detection address configuration registers : PADR0 and PADR1. Each register provides an interrupt enable bit. This allows you to individually configure each register to enable/prohibit the generation of interrupts when the address stored in the address latch matches the one configured in the detection address configuration register.

### • ROM Correction Block Diagram



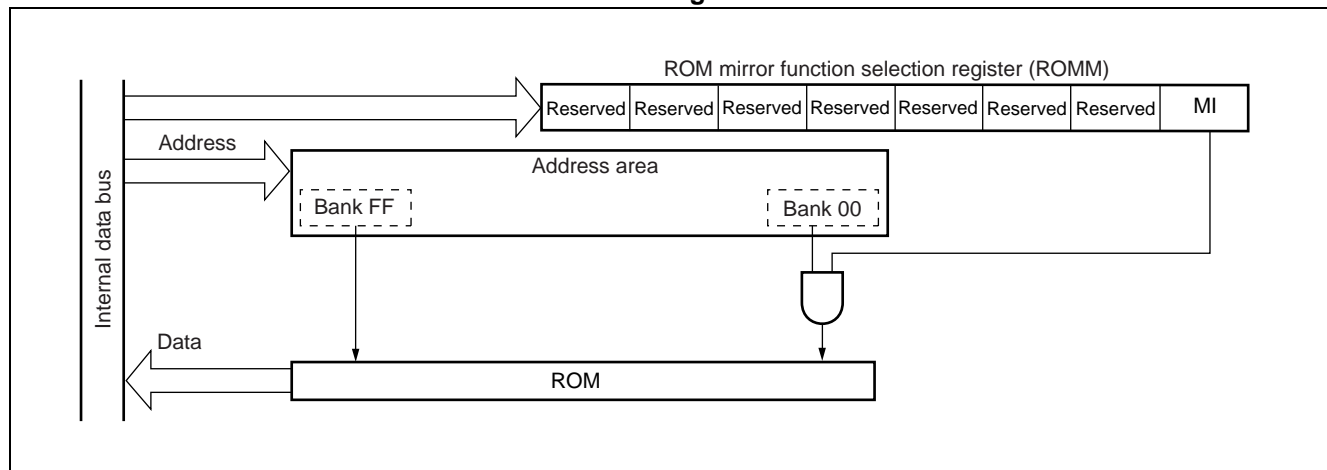
- Address latch  
Stores value of address output to internal data bus.
- Address detection control register (PACSR)  
Set this register to enable/prohibit interrupt output when an address match is detected.
- Detection address configuration register (PADR0, PADR1)  
Configure an address with which to compare the address latch value.

# MB90495G Series

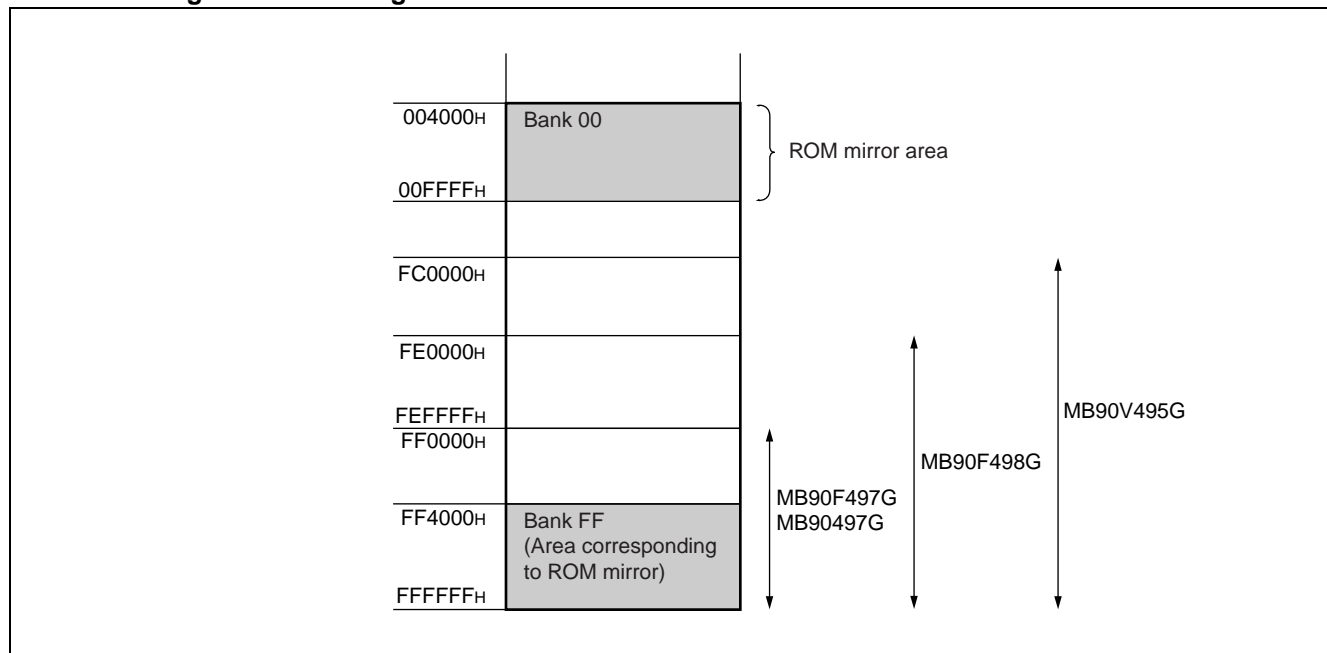
## 14. ROM Mirror Function Selection Module

The ROM mirror function selection module configures ROM-internal data arrayed inside bank FF to be readable by accessing bank 00.

### • ROM Mirror Function Selection Module Block Diagram



### • Accessing Bank FF through ROM Mirror Function



## 15. 512-K/1-M bit Flash Memory

### • Overview

There are three methods available for writing/deleting data to/from flash memory :

1. Parallel writer
2. Serial dedicated writer
3. Program runtime write/delete

### • Overview of 512-K/1-M bit flash memory

512-Kbit flash memory is arrayed in bank FF<sub>H</sub> on the CPU memory map, 1-Mbit flash memory is arrayed in bank FE<sub>H</sub> to FF<sub>H</sub> on the CPU memory map. The flash memory interface circuit provides read and program access from the CPU.

Since instructions from the CPU are carried out via the flash memory interface circuit, flash memory can be overwritten at the implementation level. This allows you to efficiently improve programs and data.

### • Features of 512-K/1-M bit Flash Memory

- 512-Kbit flash memory : 64 KWords × 8-bit/32 KWords × 16-bit (16-Kbyte + 8-Kbyte + 8-Kbyte + 32-Kbyte) sector architecture
- 1-Mbit flash memory : 128 KWords × 8-bit/64 KWords × 16-bit (16-Kbyte + 8-Kbyte + 8-Kbyte + 32-Kbyte + 64-Kbyte) sector architecture
- Auto program algorithm (Embedded Algorithm : same as MBM29LV200)
- On-chip delete suspend/delete resume functions
- Data polling, write/delete completion detection through toggle bit
- Write/delete completion detection from CPU overwrite
- Sector-specific deletion available (sectors can be combined as desired)
- Write/delete iterations (minimum) : 10,000

Notes : There is no function to read the manufacture or device code.  
These codes also cannot be accessed through commands.

### • Flash memory write/delete

- It is not possible to simultaneously write to and read from flash memory.
- When writing to or deleting from flash memory, first copy the program residing in flash memory into RAM, then execute the program copied into RAM. This will allow you to write to flash memory.

# MB90495G Series

## • List of Flash Memory Registers and Reset Values

Flash memory control status register (FMCS)

bit	7	6	5	4	3	2	1	0
	0	0	0	X	0	0	0	0

× : Undefined

## • Sector Architecture of 512-K/1-M bit Flash memory

### • Sector architecture

512-Kbit flash memory : When accessing from the CPU, SA0 to SA3 are arrayed in the Bank FF register.

1-Mbit flash memory : When accessing from the CPU, SA0 is arrayed in the Bank FE register, SA1 to SA4 are arrayed in the Bank FF register.

## Sector Architecture of 512-K/1-M bit Flash Memory

512-Kbit Flash Memory	CPU Addresses	Writer Address*
SA0 (32 Kbytes)	FF0000H	70000H
	FF7FFFH	77FFFH
SA1 (8 Kbytes)	FF8000H	78000H
	FF9FFFH	79FFFH
SA2 (8 Kbytes)	FFA000H	7A000H
	FFBFFFH	7BFFFH
SA3 (16 Kbytes)	FFC000H	7C000H
	FFFFFFH	7FFFFH

1-Mbit Flash Memory	CPU Addresses	Writer Address*
SA0 (64 Kbytes)	FE0000H	60000H
	FEFFFFH	6FFFFH
SA1 (32 Kbytes)	FF0000H	70000H
	FF7FFFH	77FFFH
SA2 (8 Kbytes)	FF8000H	78000H
	FF9FFFH	79FFFH
SA3 (8 Kbytes)	FFA000H	7A000H
	FFBFFFH	7BFFFH
SA4 (16 Kbytes)	FFC000H	7C000H
	FFFFFFH	7FFFFH

\* : If a parallel write is writing data to Flash memory, the write address corresponds to the CPU address. If a general-purpose writer is used to write/delete, this address is written to/over.

## ■ ELECTRICAL CHARACTERISTICS

### 1. Absolute Maximum Ratings

( $V_{SS} = AV_{SS} = 0\text{ V}$ )

Parameter	Symbol	Rating		Unit	Remarks
		Min	Max		
Power supply voltage	$V_{CC}$	$V_{SS} - 0.3$	$V_{SS} + 6.0$	V	
	$AV_{CC}$	$V_{SS} - 0.3$	$V_{SS} + 6.0$	V	$V_{CC} = AV_{CC}$ *1
	AVR	$V_{SS} - 0.3$	$V_{SS} + 6.0$	V	$AV_{CC} \geq AVR$ *1
Input voltage	$V_I$	$V_{SS} - 0.3$	$V_{SS} + 6.0$	V	*2
Output voltage	$V_O$	$V_{SS} - 0.3$	$V_{SS} + 6.0$	V	*2
Maximum clamp current	$I_{CLAMP}$	-2.0	+2.0	mA	*6
Total maximum clamp current	$\sum  I_{CLAMP} $	—	20	mA	*6
"L" level maximum output current	$I_{OL}$	—	15	mA	*3
"L" level average output current	$I_{OLAV}$	—	4	mA	*4
"L" level maximum total output current	$\sum I_{OL}$	—	100	mA	
"L" level average total output current	$\sum I_{OLAV}$	—	50	mA	*5
"H" level maximum output current	$I_{OH}$	—	-15	mA	*3
"H" level average output current	$I_{OHAV}$	—	-4	mA	*4
"H" level maximum total output current	$\sum I_{OH}$	—	-100	mA	
"H" level average total output current	$\sum I_{OHAV}$	—	-50	mA	*5
Power consumption	$P_D$	—	315	mW	
Operating temperature	$T_A$	-40	+105	°C	
		-40	+125	°C	*7
Storage temperature	$T_{stg}$	-55	+150	°C	

\*1 :  $AV_{CC}$  and AVR shall never exceed  $V_{CC}$ . Also, AVR shall never exceed  $AV_{CC}$ .

\*2 :  $V_I$  and  $V_O$  shall never exceed  $V_{CC} + 0.3\text{ V}$ . However, if the maximum current to/from an input is limited by some means with external components, the  $I_{CLAMP}$  rating supersedes the  $V_I$  rating.

\*3 : The rating for the maximum output current is the peak value of one of the corresponding pins.

\*4 : The standard for computing average output current is the average current output from one of the corresponding pins over a period of 100 ms (the average value is taken by multiplying operating current by operational rate) .

\*5 : The standard for computing average total output current is the average current output from all of the corresponding pins over a period of 100 ms (the average value is taken by multiplying operating current by operational rate) .

\*6 : • Applicable to pins: P00 to P07, P10 to P17, P20 to P27, P30 to P37, P40 to P44, P50 to P57, P60 to P63  
 • Use within recommended operating conditions.  
 • Use at DC voltage (current)  
 • The +B signal should always be applied a limiting resistance placed between the +B signal and the microcontroller.  
 • The value of the limiting resistance should be set so that when the +B signal is applied the input current to the microcontroller pin does not exceed rated values, either instantaneously or for prolonged periods.  
 • Note that when the microcontroller drive current is low, such as in the power saving modes, the +B input potential may pass through the protective diode and increase the potential at the  $V_{CC}$  pin, and this may affect other devices.

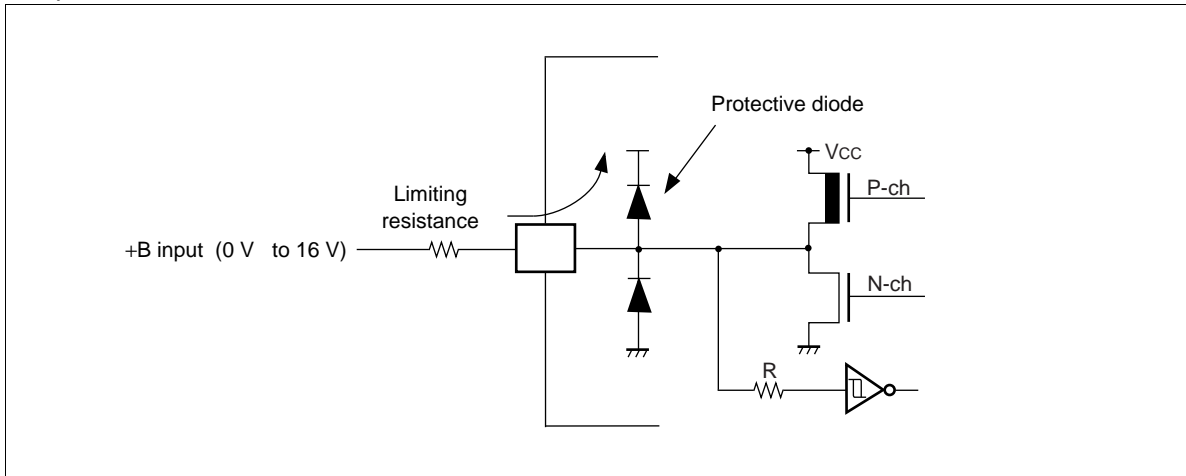
(Continued)



# MB90495G Series

(Continued)

- Note that if a +B signal is input when the microcontroller power supply is off (not fixed at 0 V) , the power supply is provided from the pins, so that incomplete operation may result.
- Note that if the +B input is applied during power-on, the power supply is provided from the pins and the resulting supply voltage may not be sufficient to operate the power-on reset.
- Care must be taken not to leave the +B input pin open.
- Note that analog system input/output pins other than the A/D input pins (LCD drive pins, comparator input pins, etc.) cannot accept +B signal input.
- Sample recommended circuits:



\*7 : If used exceeding  $T_A = +105\text{ }^\circ\text{C}$ , be sure to contact us for reliability limitations.

**WARNING:** Semiconductor devices can be permanently damaged by application of stress (voltage, current, temperature, etc.) in excess of absolute maximum ratings. Do not exceed these ratings.

## 2. Recommended Operating Conditions

( $V_{SS} = AV_{SS} = 0.0\text{ V}$ )

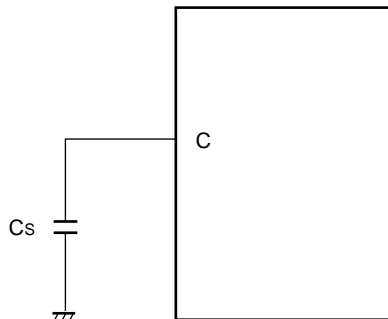
Parameter	Symbol	Value			Unit	Remarks
		Min	Typ	Max		
Power supply voltage	$V_{CC}, AV_{CC}$	4.5	5.0	5.5	V	During normal operation, $T_A = -40\text{ °C}$ to $+105\text{ °C}$
		4.75	5.0	5.25	V	During normal operation, $+105\text{ °C} < T_A \leq +125\text{ °C}$
		3.0	—	5.5	V	Maintaining stop operation state
Smoothing capacitor	$C_s$	0.022	0.1	1.0	$\mu\text{F}$	*1
Operating temperature	$T_A$	-40	—	+105	$^{\circ}\text{C}$	
		-40	—	+125	$^{\circ}\text{C}$	*2

\*1 : Use a ceramic capacitor, or one with approximately the same frequency characteristics. The bypass capacitor of the  $V_{CC}$  pin should have a greater capacity than  $C_s$ .

See the figure below for details about connecting a smooth capacitor to the  $C_s$ .

\*2 : If used exceeding  $T_A = +105\text{ °C}$ , be sure to contact us for reliability limitations.

### • C Pin Connection Diagram



**WARNING:** The recommended operating conditions are required in order to ensure the normal operation of the semiconductor device. All of the device's electrical characteristics are warranted when the device is operated within these ranges.

Always use semiconductor devices within their recommended operating condition ranges.

Operation outside these ranges may adversely affect reliability and could result in device failure.

No warranty is made with respect to uses, operating conditions, or combinations not represented on the data sheet. Users considering application outside the listed conditions are advised to contact their representatives beforehand.

# MB90495G Series

## 3. DC Characteristics

( $V_{CC} = 5.0 \text{ V} \pm 5\%$ ,  $V_{SS} = AV_{SS} = 0.0 \text{ V}$ ,  $T_A = -40 \text{ }^\circ\text{C}$  to  $+125 \text{ }^\circ\text{C}$ )  
 ( $V_{CC} = 5.0 \text{ V} \pm 10\%$ ,  $V_{SS} = AV_{SS} = 0.0 \text{ V}$ ,  $T_A = -40 \text{ }^\circ\text{C}$  to  $+105 \text{ }^\circ\text{C}$ )

Parameter	Symbol	Pin Name	Condition	Value			Unit	Remarks
				Min	Typ	Max		
“H” level input voltage	$V_{IHS}$	CMOS hysteresis input pin	—	$0.8 V_{CC}$	—	$V_{CC} + 0.3$	V	
	$V_{IHM}$	MD input pin	—	$V_{CC} - 0.3$	—	$V_{CC} + 0.3$	V	
“L” level input voltage	$V_{ILS}$	CMOS hysteresis input pin	—	$V_{SS} - 0.3$	—	$0.2 V_{CC}$	V	
	$V_{ILM}$	MD input pin	—	$V_{SS} - 0.3$	—	$V_{SS} + 0.3$	V	
“H” level output voltage	$V_{OH}$	All output pins	$V_{CC} = 4.5 \text{ V}$ , $I_{OH} = -4.0 \text{ mA}$	$V_{CC} - 0.5$	—	—	V	$T_A = -40 \text{ }^\circ\text{C}$ to $+105 \text{ }^\circ\text{C}$
			$V_{CC} = 4.75 \text{ V}$	$V_{CC} - 0.5$	—	—	V	$+105 \text{ }^\circ\text{C} < T_A \leq +125 \text{ }^\circ\text{C}$
“L” level output voltage	$V_{OL}$	All output pins	$V_{CC} = 4.5 \text{ V}$ , $I_{OL} = 4.0 \text{ mA}$	—	—	0.4	V	$T_A = -40 \text{ }^\circ\text{C}$ to $+105 \text{ }^\circ\text{C}$
			$V_{CC} = 4.75 \text{ V}$	—	—	0.4	V	$+105 \text{ }^\circ\text{C} < T_A \leq +125 \text{ }^\circ\text{C}$
Input leakage current	$I_{IL}$	All output pins	$V_{CC} = 5.5 \text{ V}$ , $V_{SS} < V_I < V_{CC}$	-5	—	+5	$\mu\text{A}$	$T_A = -40 \text{ }^\circ\text{C}$ to $+105 \text{ }^\circ\text{C}$
			$V_{CC} = 5.25 \text{ V}$ , $V_{SS} < V_I < V_{CC}$	-5	—	+5	$\mu\text{A}$	$+105 \text{ }^\circ\text{C} < T_A \leq +125 \text{ }^\circ\text{C}$
Power supply current*	$I_{CC}$	$V_{CC}$	$V_{CC} = 5.0 \text{ V}$ Internal 16-MHz operation, Normal mode	—	30	40	mA	MB90497G MB90F497G MB90F498G
			$V_{CC} = 5.0 \text{ V}$ Internal 16-MHz operation, Flash memory write mode	—	45	50	mA	MB90F497G MB90F498G
			$V_{CC} = 5.0 \text{ V}$ Internal 16-MHz operation, Flash memory delete mode	—	45	50	mA	MB90F497G MB90F498G
	$I_{CCS}$	$V_{CC} = 5.0 \text{ V}$ Internal 16-MHz operation, Sleep mode	—	11	18	mA	MB90497G MB90F497G MB90F498G	

(Continued)

# MB90495G Series

(Continued)

( $V_{CC} = 5.0 \text{ V} \pm 5\%$ ,  $V_{SS} = AV_{SS} = 0.0 \text{ V}$ ,  $T_A = -40 \text{ }^\circ\text{C}$  to  $+125 \text{ }^\circ\text{C}$ )  
 ( $V_{CC} = 5.0 \text{ V} \pm 10\%$ ,  $V_{SS} = AV_{SS} = 0.0 \text{ V}$ ,  $T_A = -40 \text{ }^\circ\text{C}$  to  $+105 \text{ }^\circ\text{C}$ )

Parameter	Symbol	Pin Name	Condition	Value			Unit	Remarks
				Min	Typ	Max		
Power supply current*	I <sub>CTS</sub>	V <sub>CC</sub>	V <sub>CC</sub> = 5.0 V Internal 2-MHz operation, Timer mode	—	0.6	1.2	mA	MB90497G MB90F497G MB90F498G
	I <sub>CCL</sub>		V <sub>CC</sub> = 5.0 V Internal 8-kHz operation, Subclock operation mode T <sub>A</sub> = +25 °C	—	30	50	μA	MB90497G
			V <sub>CC</sub> = 5.0 V Internal 8-kHz operation, Subclock sleep mode T <sub>A</sub> = +25 °C	—	300	500	μA	MB90F497G MB90F498G
	I <sub>CCLs</sub>		V <sub>CC</sub> = 5.0 V Internal 8-kHz operation, Subclock sleep mode T <sub>A</sub> = +25 °C	—	10	30	μA	MB90497G MB90F497G MB90F498G
	I <sub>CCT</sub>		V <sub>CC</sub> = 5.0 V Internal 8-kHz operation, Clock mode T <sub>A</sub> = +25 °C	—	8	25	μA	MB90497G MB90F497G MB90F498G
Power supply current*	I <sub>CCH</sub>	V <sub>CC</sub>	V <sub>CC</sub> = 5.0 V Stop mode, T <sub>A</sub> = +25 °C	—	5	20	μA	MB90497G MB90F497G MB90F498G
Input Capacity	C <sub>IN</sub>	Other than AV <sub>CC</sub> , AV <sub>SS</sub> , AVR, C, V <sub>CC</sub> , or V <sub>SS</sub>	—	—	5	15	pF	
Pull up Resistor	R <sub>UP</sub>	$\overline{\text{RST}}$	—	25	50	100	kΩ	
Pull down Resistor	R <sub>DOWN</sub>	MD2	—	25	50	100	kΩ	

\* : This is when using the external clock as the power supply current test condition.

# MB90495G Series

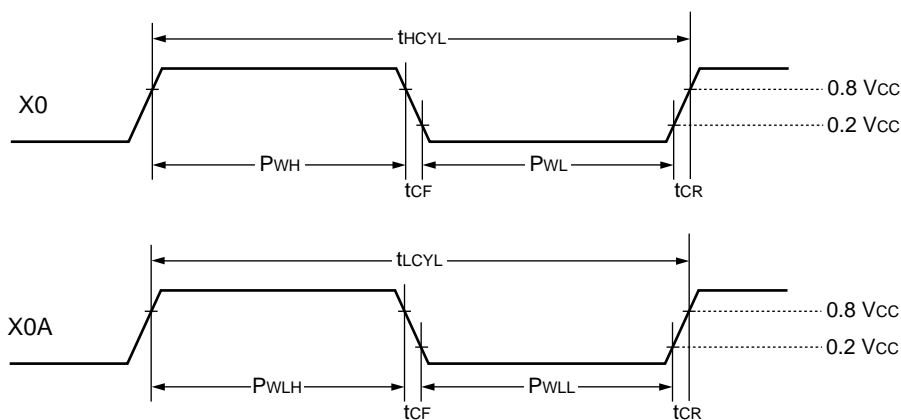
## 4. AC Characteristics

### (1) Clock Timing

( $V_{CC} = 5.0\text{ V} \pm 5\%$ ,  $V_{SS} = AV_{SS} = 0.0\text{ V}$ ,  $T_A = -40\text{ }^\circ\text{C}$  to  $+125\text{ }^\circ\text{C}$ )  
 ( $V_{CC} = 5.0\text{ V} \pm 10\%$ ,  $V_{SS} = AV_{SS} = 0.0\text{ V}$ ,  $T_A = -40\text{ }^\circ\text{C}$  to  $+105\text{ }^\circ\text{C}$ )

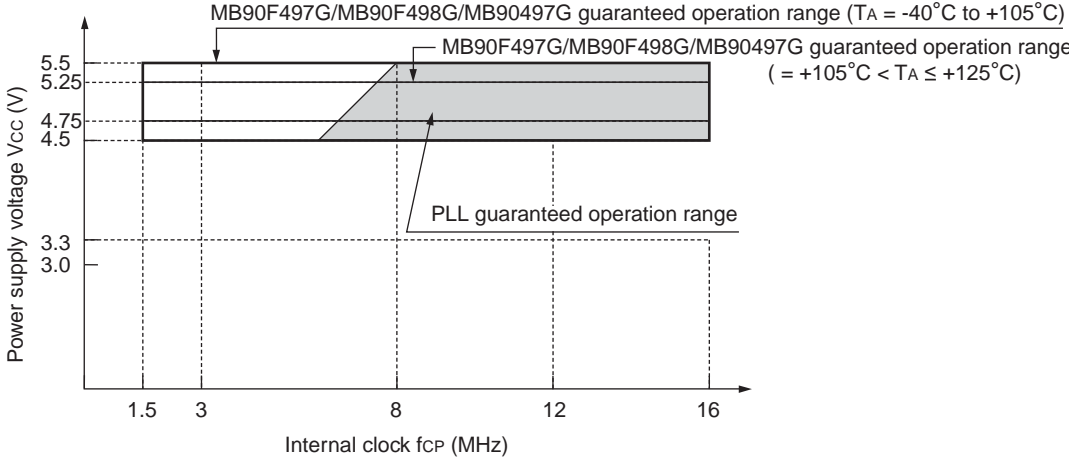
Parameter	Symbol	Pin Name	Value			Unit	Remarks
			Min	Typ	Max		
Clock frequency	$f_c$	X0, X1	3	—	16	MHz	
	$f_{CL}$	X0A, X1A	—	32.768	—	kHz	
Clock Cycle Time	$t_{HCYL}$	X0, X1	62.5	—	333	ns	
	$t_{LCYL}$	X0A, X1A	—	30.5	—	$\mu\text{s}$	
Input clock pulse width	$P_{WH}, P_{WL}$	X0	10	—	—	ns	Duty ratio should be around 30 % to 70 %
	$P_{WLH}, P_{WLL}$	X0A	—	15.2	—	$\mu\text{s}$	
Input clock rising/falling time	$t_{CR}, t_{CF}$	X0	—	—	5	ns	When external clock used
Internal operation clock frequency	$f_{CP}$	—	1.5	—	16	MHz	When oscillation circuit used
	$f_{LCP}$	—	—	8.192	—	kHz	When subclock used
Internal operation clock cycle time	$t_{CP}$	—	62.5	—	666	ns	When using oscillation circuit
	$t_{LCP}$	—	—	122.1	—	$\mu\text{s}$	When subclock used

#### • X0/X1 Clock Timing

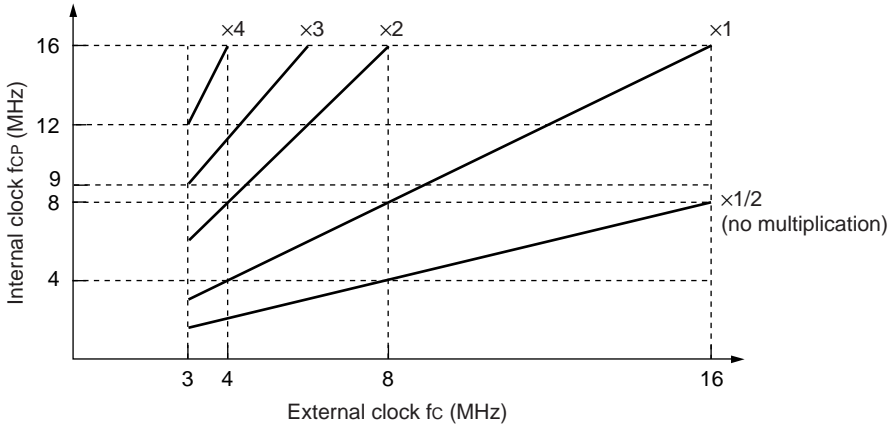


- PLL guaranteed operation range

Relationship between internal operating clock frequency and power supply voltage



Relationship between external clock frequency and internal operation clock frequency



AC characteristics are specified by the following reference voltage values.

- Input Signal Waveform

Hysteresis Input Pin



- Output Signal Waveform

Output Pin

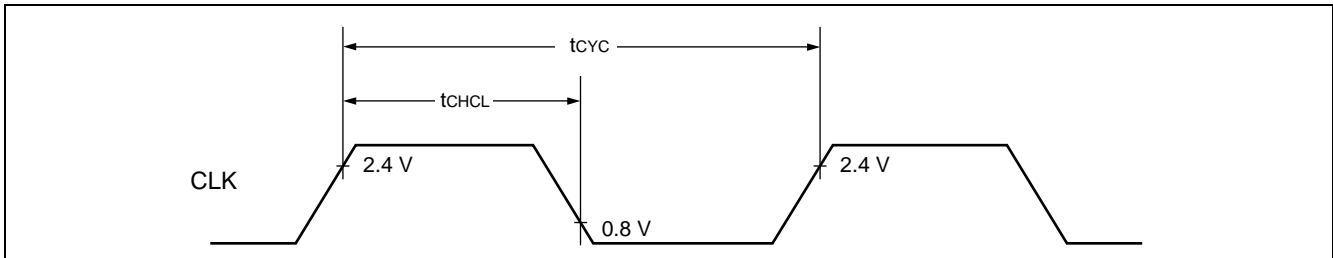


# MB90495G Series

## (2) Clock Output Timing

( $V_{CC} = 5.0\text{ V} \pm 5\%$ ,  $V_{SS} = AV_{SS} = 0.0\text{ V}$ ,  $T_A = -40\text{ }^\circ\text{C}$  to  $+125\text{ }^\circ\text{C}$ )  
 ( $V_{CC} = 5.0\text{ V} \pm 10\%$ ,  $V_{SS} = AV_{SS} = 0.0\text{ V}$ ,  $T_A = -40\text{ }^\circ\text{C}$  to  $+105\text{ }^\circ\text{C}$ )

Parameter	Symbol	Pin Name	Condition	Value		Unit	Remarks
				Min	Max		
Cycle time	$t_{CYC}$	CLK	—	62.5	—	ns	
CLK $\uparrow \rightarrow$ CLK $\downarrow$	$t_{CHCL}$			20	—	ns	

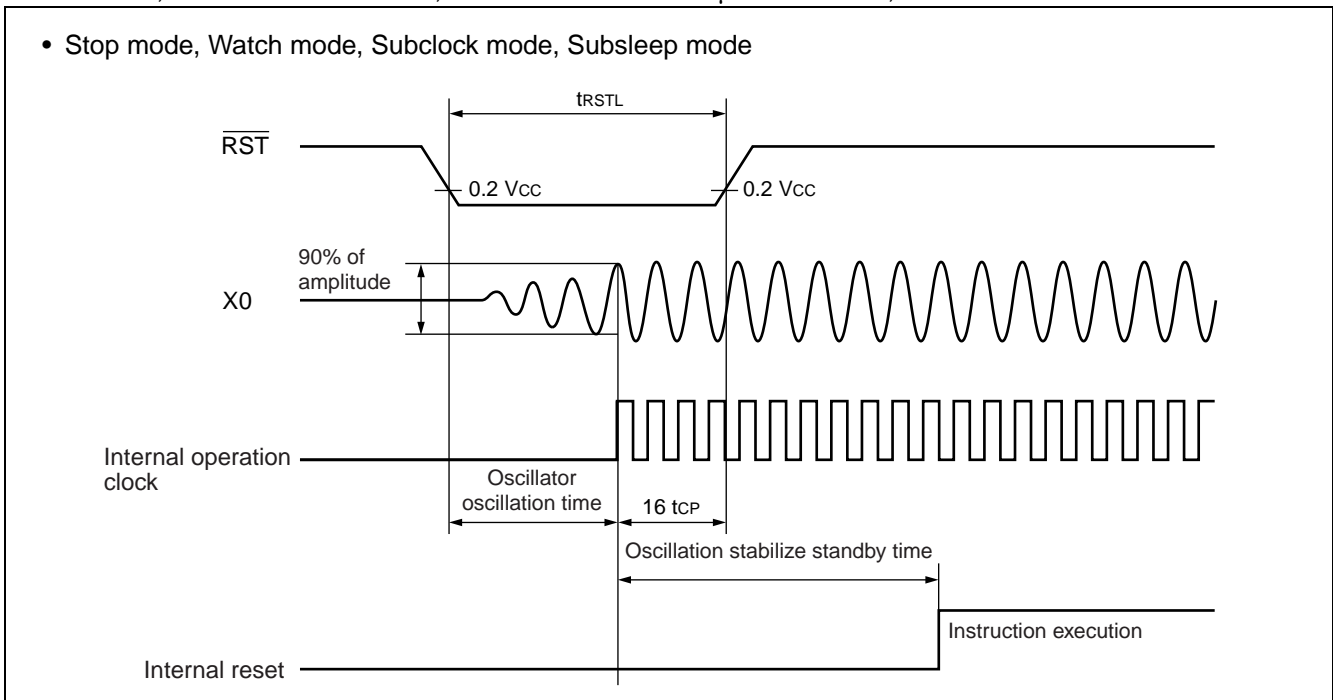


## (3) Reset Input Timing

Parameter	Symbol	Pin Name	Condition	Value		Unit	Remarks
				Min	Max		
Reset input time	$t_{RSTL}$	$\overline{RST}$	—	$16 t_{CP}$	—	ns	Normal mode
				Oscillator oscillation time* + $16 t_{CP}$	—	ms	Stop mode, Watch mode, Subclock mode, Subsleep mode

\* : Oscillator oscillation time is the time to reach 90% amplitude. For a crystal oscillator, this is a few to several dozen ms; for a ceramic oscillator, this is several hundred  $\mu\text{s}$  to a few ms, and for an external clock this is 0 ms.

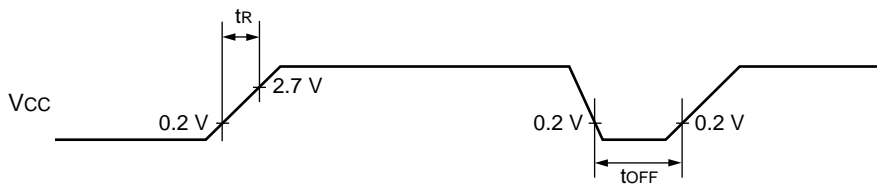
- Stop mode, Watch mode, Subclock mode, Subsleep mode



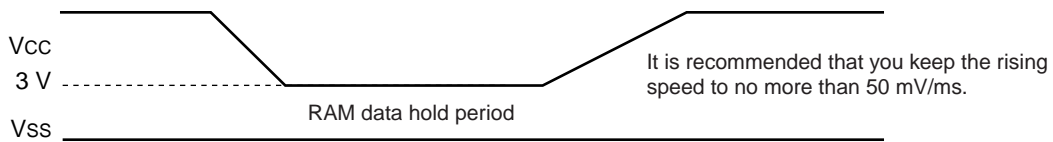
## (4) Power-on Reset

( $V_{CC} = 5.0 \text{ V} \pm 5\%$ ,  $V_{SS} = AV_{SS} = 0.0 \text{ V}$ ,  $T_A = -40 \text{ }^\circ\text{C}$  to  $+125 \text{ }^\circ\text{C}$ )  
 ( $V_{CC} = 5.0 \text{ V} \pm 10\%$ ,  $V_{SS} = AV_{SS} = 0.0 \text{ V}$ ,  $T_A = -40 \text{ }^\circ\text{C}$  to  $+105 \text{ }^\circ\text{C}$ )

Parameter	Symbol	Pin Name	Condition	Value		Unit	Remarks
				Min	Max		
Power supply rising time	$t_R$	$V_{CC}$	—	0.05	30	ms	
Power supply cutoff time	$t_{OFF}$	$V_{CC}$	—	1	—	ms	Due to repeated operations



Sudden changes in the power supply voltage may cause a power-on reset. To change the power supply voltage while the device is in operation, it is recommended that you raise the voltage at a steady rate, in order to suppress fluctuations (see figure below). In this case, perform this operation when the PLL clock is not being used. If, however, the voltage falling speed is no more than 1 V/s, it is permissible to perform this operation while using the PLL clock.





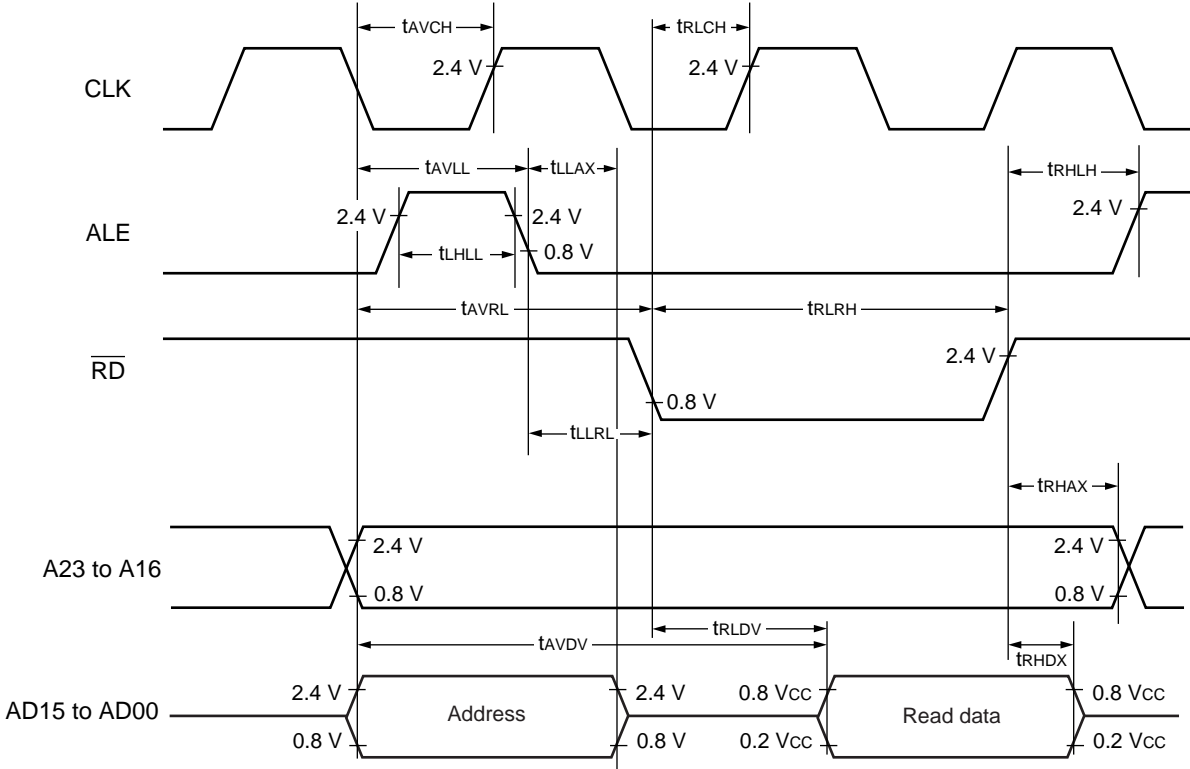
# MB90495G Series

## (5) Bus Read Timing

( $V_{CC} = 5.0 V \pm 10\%$ ,  $V_{SS} = 0.0 V$ ,  $T_A = -40\text{ }^{\circ}\text{C}$  to  $+105\text{ }^{\circ}\text{C}$ )

Parameter	Symbol	Pin Name	Value		Unit	Remarks
			Min	Max		
ALE pulse width	$t_{LHLL}$	ALE	$t_{CP}/2 - 20$	—	ns	
Valid address → ALE ↓ time	$t_{AVLL}$	ALE, A23 to A16, AD15 to AD00	$t_{CP}/2 - 20$	—	ns	
ALE ↓ → address valid time	$t_{LLAX}$	ALE, AD15 to AD00	$t_{CP}/2 - 15$	—	ns	
Valid address → $\overline{RD}$ ↓ time	$t_{AVRL}$	A23 to A16, AD15 to AD00, $\overline{RD}$	$t_{CP} - 15$	—	ns	
Valid address → Valid data input	$t_{AVDV}$	A23 to A16, AD15 to AD00	—	$5 t_{CP}/2 - 60$	ns	
$\overline{RD}$ pulse width	$t_{RLRH}$	$\overline{RD}$	$3 t_{CP}/2 - 20$	—	ns	
$\overline{RD}$ ↓ → valid data input	$t_{RLDV}$	$\overline{RD}$ , AD15 to AD00	—	$3 t_{CP}/2 - 60$	ns	
$\overline{RD}$ ↑ → data hold time	$t_{RHDX}$	$\overline{RD}$ , AD15 to AD00	0	—	ns	
$\overline{RD}$ ↑ → ALE ↑ time	$t_{RHLH}$	$\overline{RD}$ , ALE	$t_{CP}/2 - 15$	—	ns	
$\overline{RD}$ ↑ → address valid time	$t_{RHAX}$	$\overline{RD}$ , A23 to A16	$t_{CP}/2 - 10$	—	ns	
Valid address → CLK ↑ time	$t_{AVCH}$	A23 to A16, AD15 to AD00, CLK	$t_{CP}/2 - 20$	—	ns	
$\overline{RD}$ ↓ → CLK ↑ time	$t_{RLCH}$	$\overline{RD}$ , CLK	$t_{CP}/2 - 20$	—	ns	
ALE ↓ → $\overline{RD}$ ↓ time	$t_{LLRL}$	ALE, $\overline{RD}$	$t_{CP}/2 - 15$	—	ns	

• Bus read timing

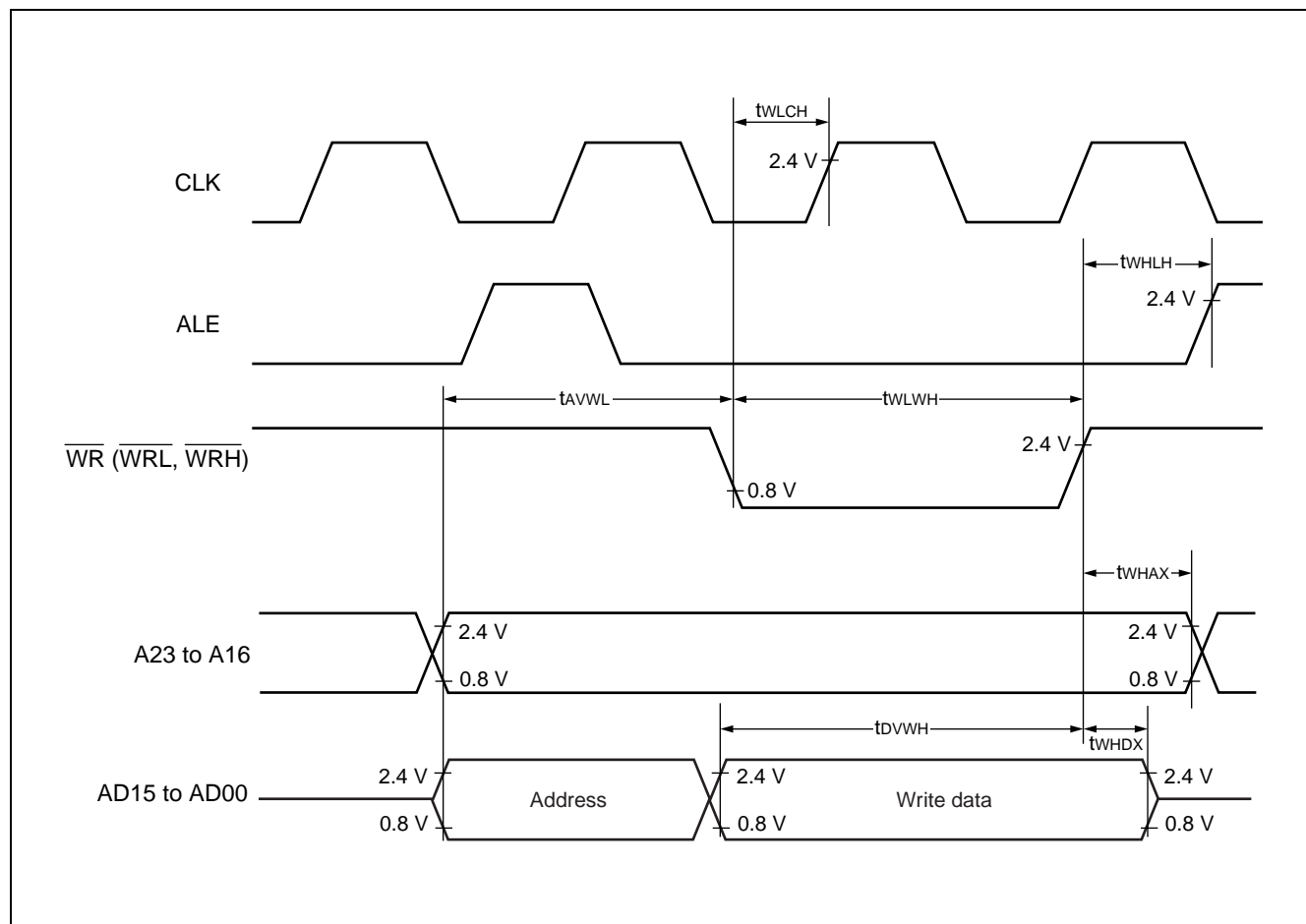


# MB90495G Series

## (6) Bus Write Timing

( $V_{CC} = 5.0 V \pm 10\%$ ,  $V_{SS} = 0.0 V$ ,  $T_A = -40\text{ }^\circ\text{C}$  to  $+105\text{ }^\circ\text{C}$ )

Parameter	Symbol	Pin Name	Value		Unit	Remarks
			Min	Max		
Valid Address $\rightarrow \overline{WR} \downarrow$ time	$t_{AVWL}$	A23 to A16, AD15 to AD00, $\overline{WR}$	$t_{CP} - 15$	—	ns	
$\overline{WR}$ pulse width	$t_{WLWH}$	$\overline{WR}$	$3 t_{CP}/2 - 20$	—	ns	
Valid data output $\rightarrow \overline{WR} \uparrow$ time	$t_{DVWH}$	AD15 to AD00, $\overline{WR}$	$3 t_{CP}/2 - 20$	—	ns	
$\overline{WR} \uparrow \rightarrow$ data hold time	$t_{WHDX}$	AD15 to AD00, $\overline{WR}$	20	—	ns	
$\overline{WR} \uparrow \rightarrow$ address valid time	$t_{WHAX}$	A23 to A16, $\overline{WR}$	$t_{CP}/2 - 10$	—	ns	
$\overline{WR} \uparrow \rightarrow$ ALE $\uparrow$ time	$t_{WHLH}$	$\overline{WR}$ , ALE	$t_{CP}/2 - 15$	—	ns	
$\overline{WR} \uparrow \rightarrow$ CLK $\uparrow$ time	$t_{WLCH}$	$\overline{WR}$ , CLK	$t_{CP}/2 - 20$	—	ns	

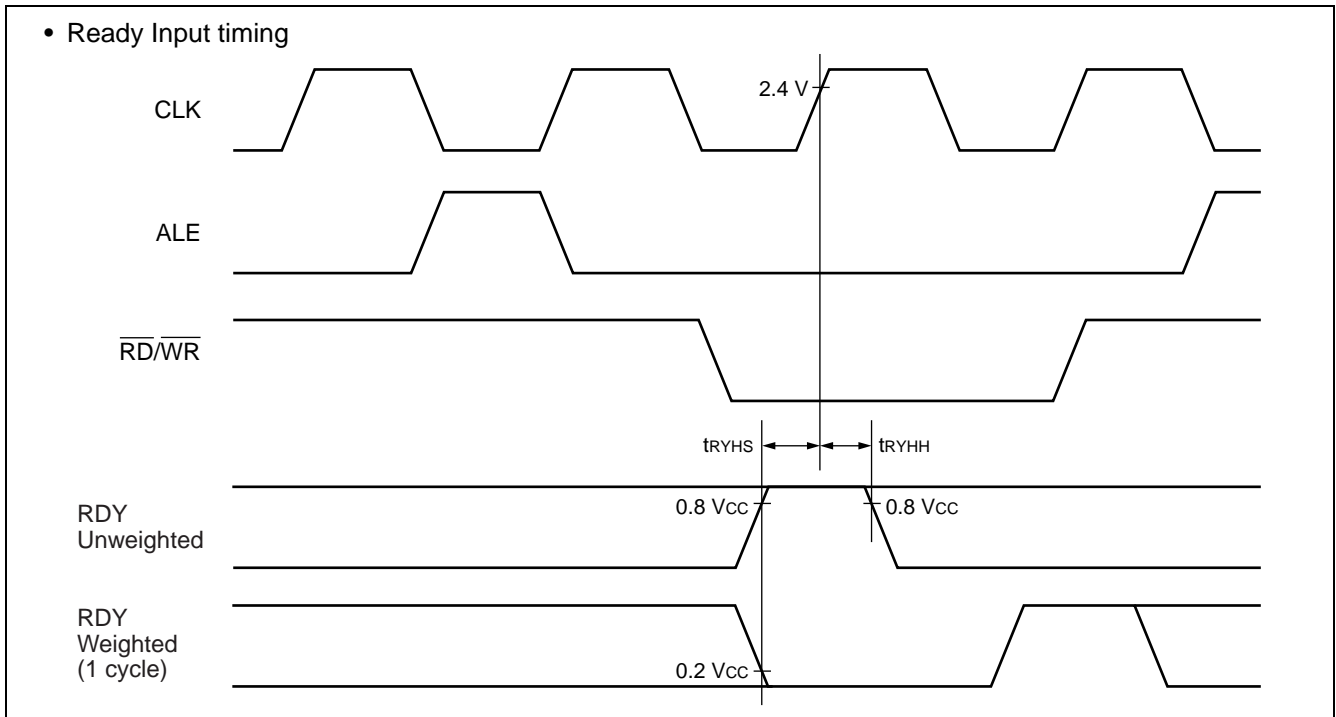


## (7) Ready Input Timing

( $V_{CC} = 5.0 V \pm 10\%$ ,  $V_{SS} = 0.0 V$ ,  $T_A = -40\text{ }^\circ\text{C}$  to  $+105\text{ }^\circ\text{C}$ )

Parameter	Symbol	Pin Name	Value		Unit	Remarks
			Min	Max		
RDY setup time	$t_{RYHS}$	RDY	45	—	ns	
RDY hold time	$t_{RYHH}$	RDY	0	—	ns	

Note : Use the automatic ready function if the setup time for the falling edge of the RDY signal is not sufficient.

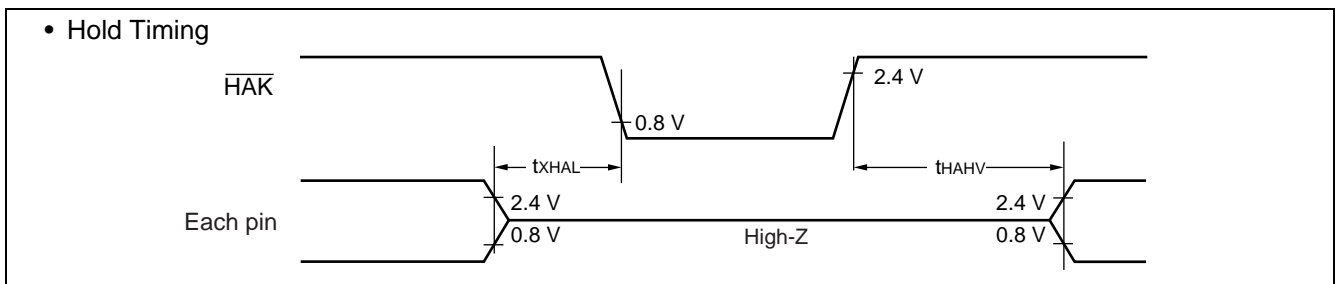


## (8) Hold Timing

( $V_{CC} = 5.0 V \pm 10\%$ ,  $V_{SS} = 0.0 V$ ,  $T_A = -40\text{ }^\circ\text{C}$  to  $+105\text{ }^\circ\text{C}$ )

Parameter	Symbol	Pin Name	Value		Unit	Remarks
			Min	Max		
Pin in floating status $\rightarrow \overline{\text{HAK}} \downarrow$ time	$t_{XHAL}$	$\overline{\text{HAK}}$	30	$t_{CP}$	ns	
$\overline{\text{HAK}} \uparrow \rightarrow$ pin valid time	$t_{HAHV}$	$\overline{\text{HAK}}$	$t_{CP}$	$2 t_{CP}$	ns	

Note : It will take at least 1 cycle from the time the HRQ pin is loaded until the HAK changes.



# MB90495G Series

## (9) UART Timing

( $V_{CC} = 5.0\text{ V} \pm 5\%$ ,  $V_{SS} = 0.0\text{ V}$ ,  $T_A = -40\text{ }^\circ\text{C}$  to  $+125\text{ }^\circ\text{C}$ )  
 ( $V_{CC} = 5.0\text{ V} \pm 10\%$ ,  $V_{SS} = 0.0\text{ V}$ ,  $T_A = -40\text{ }^\circ\text{C}$  to  $+105\text{ }^\circ\text{C}$ )

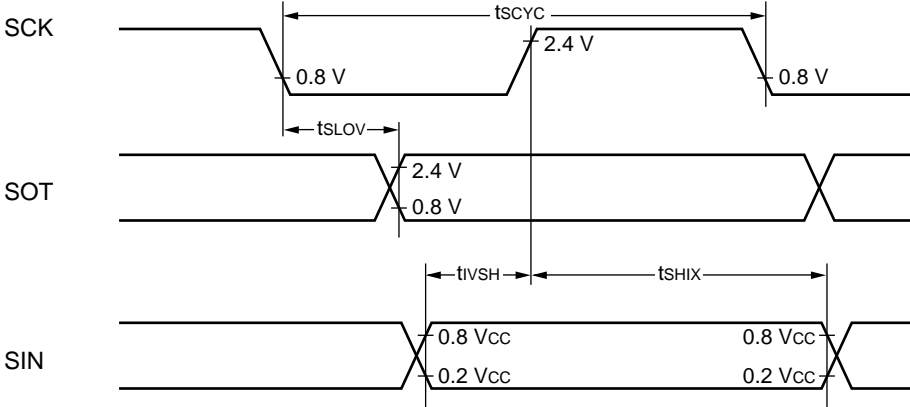
Parameter	Symbol	Pin Name	Condition	Value		Unit	Remarks
				Min	Max		
Serial clock cycle time	$t_{SCYC}$	SCK1	Internal shift clock mode output pin : $C_L = 80\text{ pF} + 1\text{ TTL}$	8 $t_{CP}^*$	—	ns	
SCK ↓ → SOT delay time	$t_{SLOV}$	SCK1, SOT1		-80	+80	ns	
Valid SIN → SCK ↑	$t_{IVSH}$	SCK1, SIN1		100	—	ns	
SCK ↑ → valid SIN hold time	$t_{SHIX}$	SCK1, SIN1		60	—	ns	
Serial clock "H" pulse width	$t_{SHSL}$	SCK1	External shift clock mode output pin : $C_L = 80\text{ pF} + 1\text{ TTL}$	4 $t_{CP}$	—	ns	
Serial clock "L" pulse width	$t_{SLSH}$	SCK1		4 $t_{CP}$	—	ns	
SCK ↓ → SOT delay time	$t_{SLOV}$	SCK1, SOT1		—	150	ns	
Valid SIN → SCK ↑	$t_{IVSH}$	SCK1, SIN1		60	—	ns	
SCK ↑ → valid SIN hold time	$t_{SHIX}$	SCK1, SIN1		60	—	ns	

\* : See "(1) Clock Timing" for details about  $t_{CP}$  (internal operating clock cycle time).

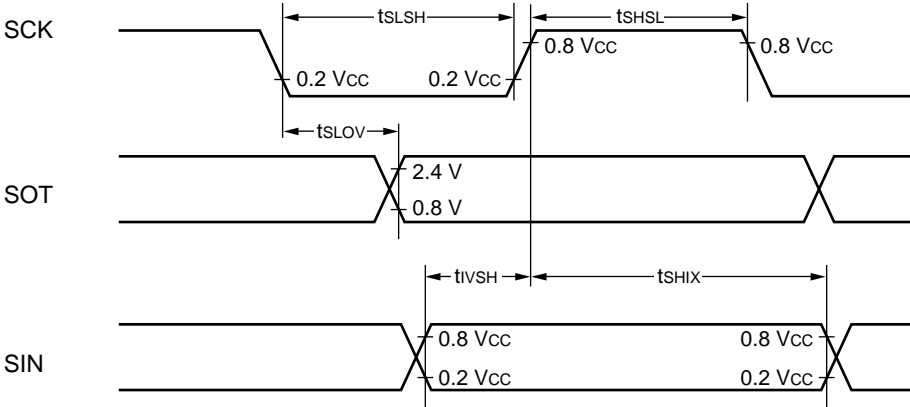
Notes : • AC characteristics are for CLK synchronous mode.

- $C_L$  is the load capacitor value connected to pins while testing.

- Internal shift clock mode



- External shift clock mode



# MB90495G Series

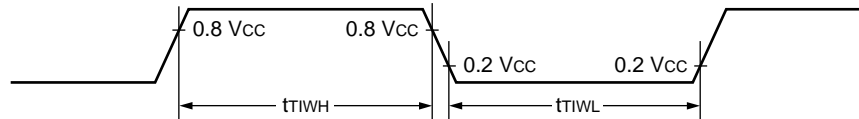
## (10) Timer Input Timing

( $V_{CC} = 5.0\text{ V} \pm 5\%$ ,  $V_{SS} = 0.0\text{ V}$ ,  $T_A = -40\text{ }^\circ\text{C}$  to  $+125\text{ }^\circ\text{C}$ )  
 ( $V_{CC} = 5.0\text{ V} \pm 10\%$ ,  $V_{SS} = 0.0\text{ V}$ ,  $T_A = -40\text{ }^\circ\text{C}$  to  $+105\text{ }^\circ\text{C}$ )

Parameter	Symbol	Pin Name	Condition	Value		Unit	Remarks
				Min	Max		
Input pulse width	$t_{TIWH}$	TIN0, TIN1, FRCK	—	4 $t_{CP}$	—	ns	
	$t_{TIWL}$	IN0 to IN3, FRCK					

### • Timer Input Timing

TIN0, TIN1,  
IN0 to IN3,  
FRCK



## (11) Timer Output Timing

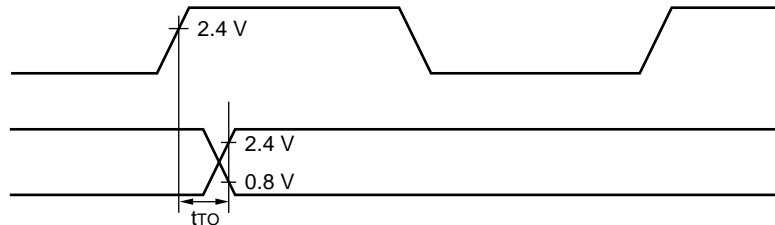
( $V_{CC} = 5.0\text{ V} \pm 5\%$ ,  $V_{SS} = 0.0\text{ V}$ ,  $T_A = -40\text{ }^\circ\text{C}$  to  $+125\text{ }^\circ\text{C}$ )  
 ( $V_{CC} = 5.0\text{ V} \pm 10\%$ ,  $V_{SS} = 0.0\text{ V}$ ,  $T_A = -40\text{ }^\circ\text{C}$  to  $+105\text{ }^\circ\text{C}$ )

Parameter	Symbol	Pin Name	Condition	Value		Unit	Remarks
				Min	Max		
CLK $\uparrow$ $\rightarrow$ $T_{OUT}$ change time	$t_{TO}$	TOT0, TOT1, PPG0 to PPG3	—	30	—	ns	

### • Timer Output Timing

CLK

TOT0, TOT1,  
PPG0 to PPG3



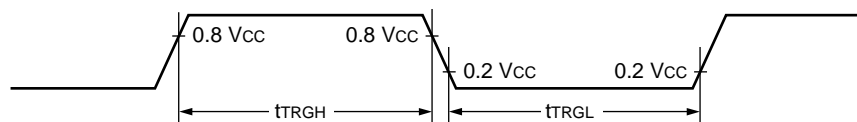
## (12) Trigger Input Timing

( $V_{CC} = 5.0\text{ V} \pm 5\%$ ,  $V_{SS} = 0.0\text{ V}$ ,  $T_A = -40\text{ }^\circ\text{C}$  to  $+125\text{ }^\circ\text{C}$ )  
 ( $V_{CC} = 5.0\text{ V} \pm 10\%$ ,  $V_{SS} = 0.0\text{ V}$ ,  $T_A = -40\text{ }^\circ\text{C}$  to  $+105\text{ }^\circ\text{C}$ )

Parameter	Symbol	Pin Name	Condition	Value		Unit	Remarks
				Min	Max		
Input pulse width	$t_{TRGH}$	INT0 to INT7, ADTG	—	5 $t_{CP}$	—	ns	Normal mode
	$t_{TRGL}$			1	—	$\mu\text{s}$	Stop mode

### • Trigger Input Timing

INT0 to INT7,  
ADTG



## 5. A/D Converter

( $V_{CC} = AV_{CC} = 5.0\text{ V} \pm 5\%$ ,  $V_{SS} = AV_{SS} = 0.0\text{ V}$ ,  $3.0\text{ V} \leq AVR - AV_{SS}$ ,  $T_A = -40\text{ }^\circ\text{C}$  to  $+125\text{ }^\circ\text{C}$ )  
 ( $V_{CC} = AV_{CC} = 5.0\text{ V} \pm 10\%$ ,  $V_{SS} = AV_{SS} = 0.0\text{ V}$ ,  $3.0\text{ V} \leq AVR - AV_{SS}$ ,  $T_A = -40\text{ }^\circ\text{C}$  to  $+105\text{ }^\circ\text{C}$ )

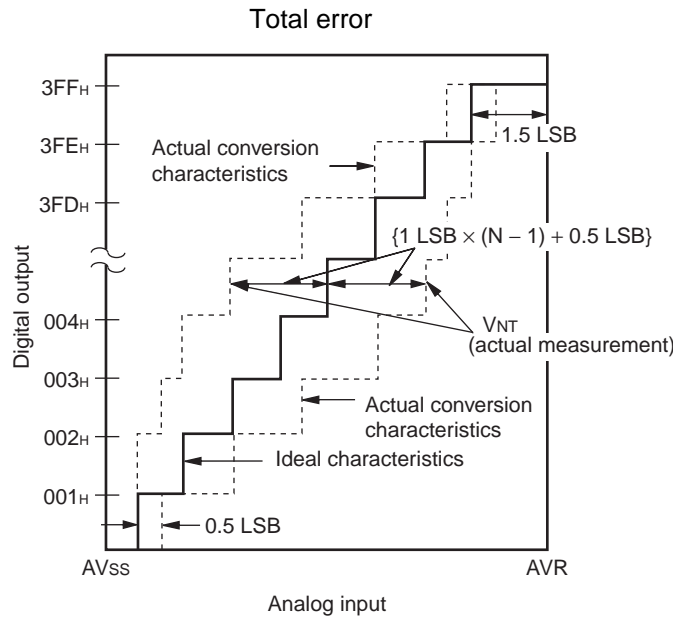
Parameter	Symbol	Pin Name	Value			Unit	Remarks
			Min	Typ	Max		
Resolution	—	—	—	—	10	bit	
Total error	—	—	—	—	$\pm 5.0$	LSB	
Nonlinearity error	—	—	—	—	$\pm 2.5$	LSB	
Differential linearity error	—	—	—	—	$\pm 1.9$	LSB	
Zero transition voltage	$V_{OT}$	AN0 to AN7	$AV_{SS} - 3.5\text{ LSB}$	$AV_{SS} + 0.5\text{ LSB}$	$AV_{SS} + 4.5\text{ LSB}$	V	1 LSB = (AVR - AV <sub>SS</sub> ) / 1024
Full-scale transition voltage	$V_{FST}$	AN0 to AN7	$AVR - 6.5\text{ LSB}$	$AVR - 1.5\text{ LSB}$	$AVR + 1.5\text{ LSB}$	V	
Conversion time	—	—	66 t <sub>CP</sub>	—	—	ns	Machine clock of 16 MHz
Sampling period	—	—	32 t <sub>CP</sub>	—	—	ns	
Analog port input current	$I_{AIN}$	AN0 to AN7	—	—	10	$\mu\text{A}$	
Analog input voltage	$V_{AIN}$	AN0 to AN7	$AV_{SS}$	—	AVR	V	
Reference voltage	—	AVR	$AV_{SS} + 3.0$	—	$AV_{CC}$	V	
Power supply current	$I_A$	$AV_{CC}$	—	2	7	mA	
	$I_{AH}$	$AV_{CC}$	—	—	5	$\mu\text{A}$	*
Reference voltage supply current	$I_R$	AVR	—	0.9	1.3	mA	
	$I_{RH}$	AVR	—	—	5	$\mu\text{A}$	*
Inter-channel variation	—	AN0 to AN7	—	—	4	LSB	

\* : Current ( $V_{CC} = AV_{CC} = AVR = 5.0\text{ V}$ ) when A/D converter is not operating and CPU is halted.



## 6. A/D Converter Glossary

- Resolution : Analog changes that are identifiable with the A/D converter
- Linearity error : The deviation of the straight line connecting the zero transition point ( "00 0000 0000" ↔ "00 0000 0001" ) with the full-scale transition point ( "11 1111 1110" ↔ "11 1111 1111" ) from actual conversion characteristics.
- Differential linearity error : The deviation of input voltage needed to change the output code by 1 LSB from the ideal value.
- Total error : The difference between the actual value and the theoretical value, which includes zero-transition error/full-scale transition error, linearity error, and differential linearity error.



$$\text{Total error of digital output } N = \frac{V_{NT} - \{1 \text{ LSB} \times (N - 1) + 0.5 \text{ LSB}\}}{1 \text{ LSB}} \text{ [LSB]}$$

$$1 \text{ LSB} = (\text{ideal value}) \frac{AVR - AV_{SS}}{1024} \text{ [V]}$$

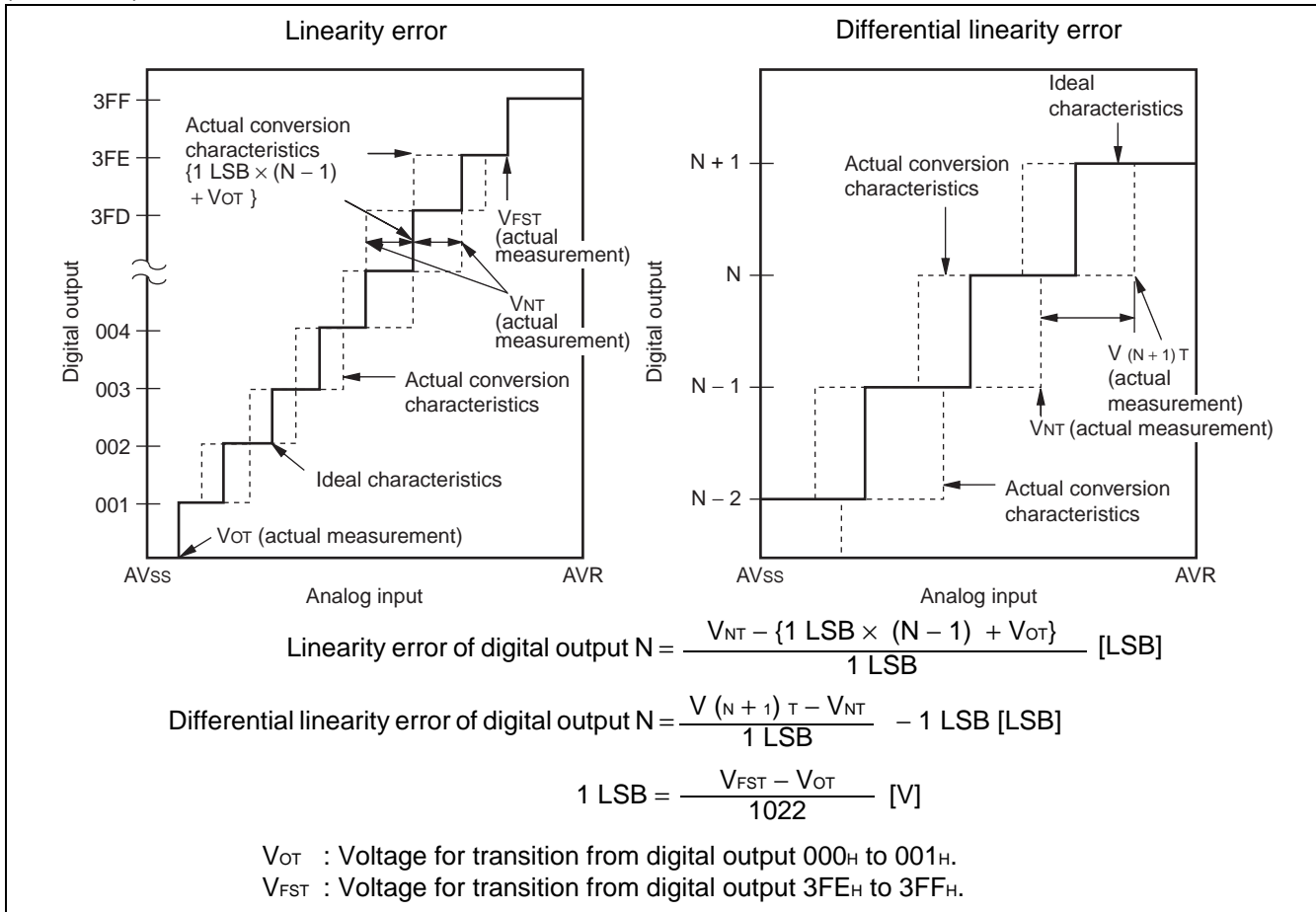
$$V_{OT} (\text{ideal value}) = AV_{SS} + 0.5 \text{ LSB [V]}$$

$$V_{FST} (\text{ideal value}) = AVR - 1.5 \text{ LSB [V]}$$

V<sub>NT</sub> : The voltage to transition digital output from (N - 1) to N.

(Continued)

(Continued)



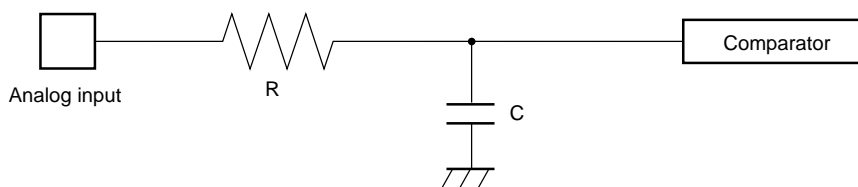
## 7. Notes on Using A/D Converter

Select the output impedance value for the external circuit of analog input according to the following conditions : External circuit output impedance values of about 5 kΩ or lower are recommended.

If external capacitors are used, a capacitance of several thousand times the internal capacitor value is recommended in order to minimize the effect of voltage distribution between the external and internal capacitor.

If the output impedance of the external circuit is too high, the sampling time for analog voltages may not be sufficient (sampling period = 2.00 μs @ machine clock of 16 MHz) .

### • Model Analog Input Circuit



MB90F497G, MB90F498G, MB90V495G  $R \cong 3.2 \text{ k}\Omega$ ,  $C \cong 30 \text{ pF}$   
 MB90497G  $R \cong 2.6 \text{ k}\Omega$ ,  $C \cong 28 \text{ pF}$

Note : The figures given here are the suggested values.

### • About Error

The smaller the absolute value of  $|AVR - AV_{SS}|$ , the greater the relative error.

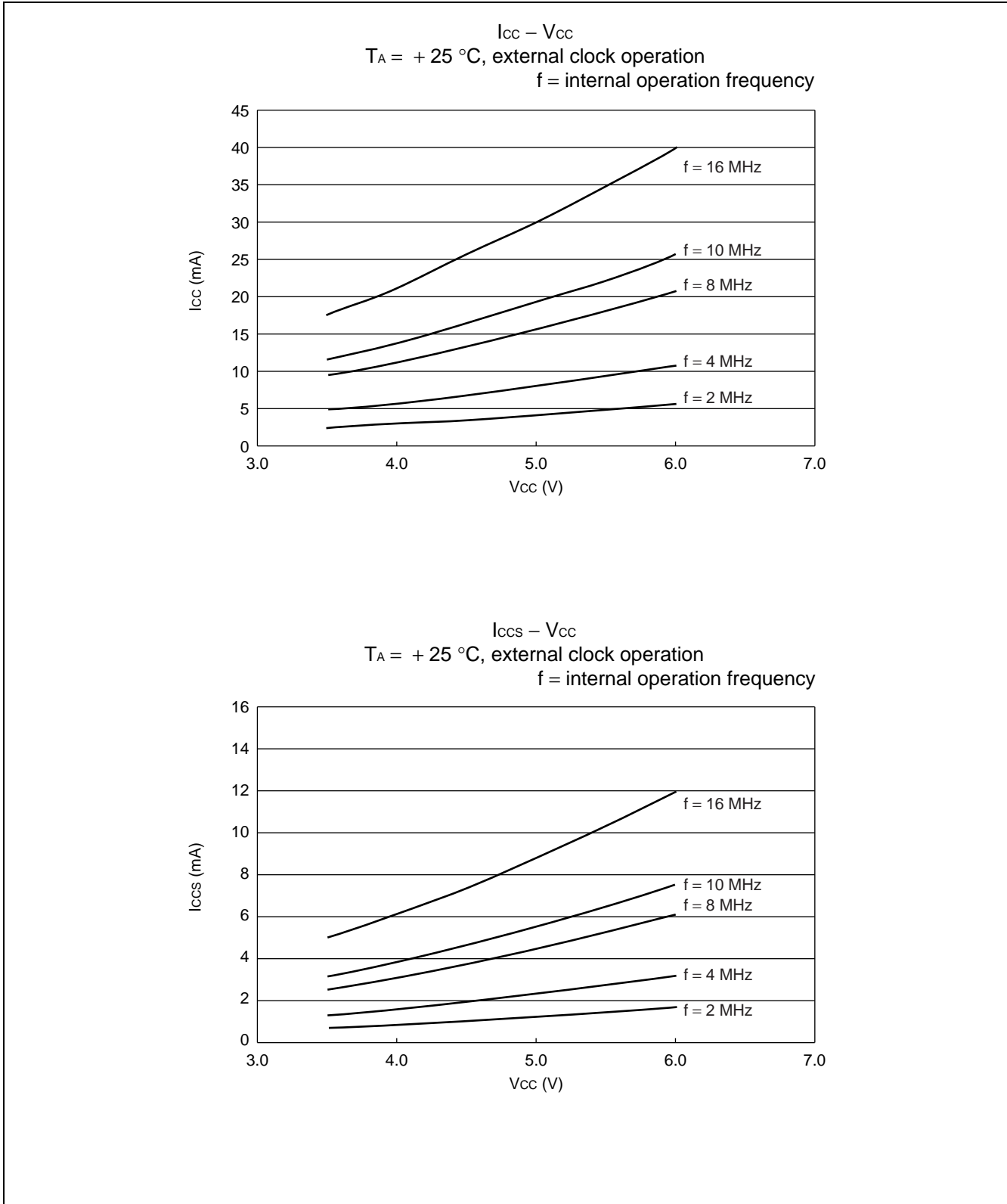
# MB90495G Series

## 8. Flash Memory Program/Erase Characteristics

Parameter	Condition	Value			Unit	Remarks
		Min	Typ	Max		
Sector erase time	T <sub>A</sub> = + 25 °C V <sub>CC</sub> = 5.0 V	—	1	15	s	Excludes 00 <sub>H</sub> programming prior erasure
Chip erase time		—	5	—	s	Excludes 00 <sub>H</sub> programming prior erasure
Word (16-bit width) programming time		—	16	3,600	μs	Excludes system-level overhead
Erase/Program cycle	—	10,000	—	—	cycle	

## EXAMPLE CHARACTERISTICS

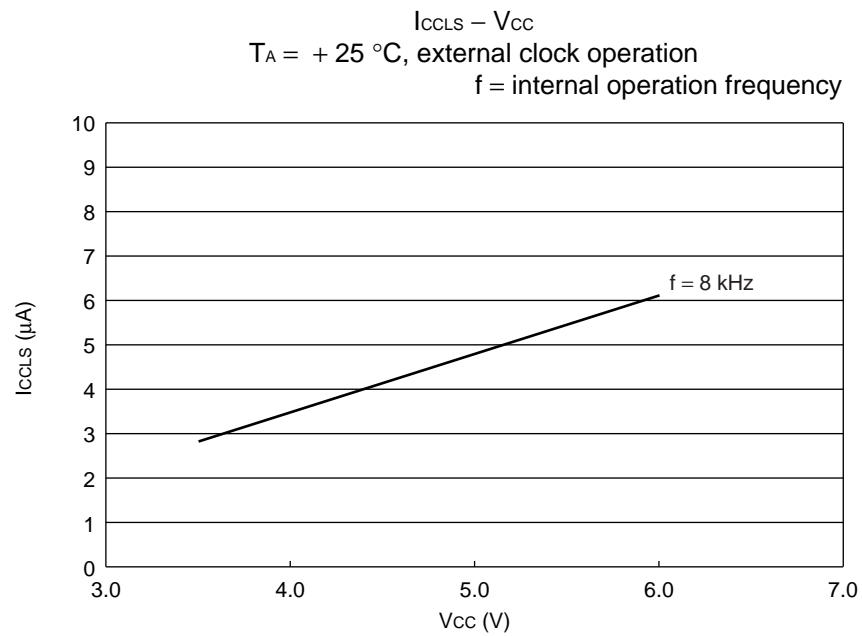
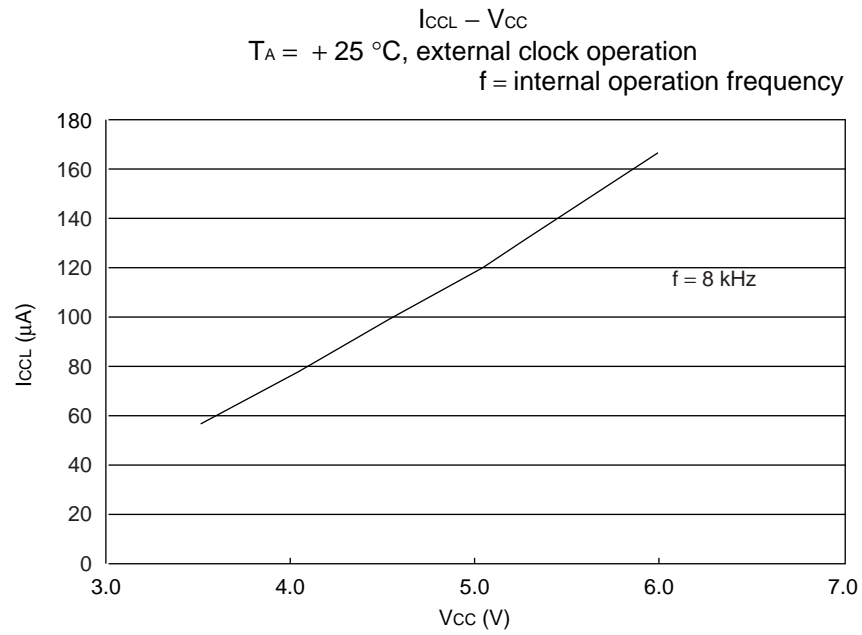
• MB90F497G/F498G



(Continued)

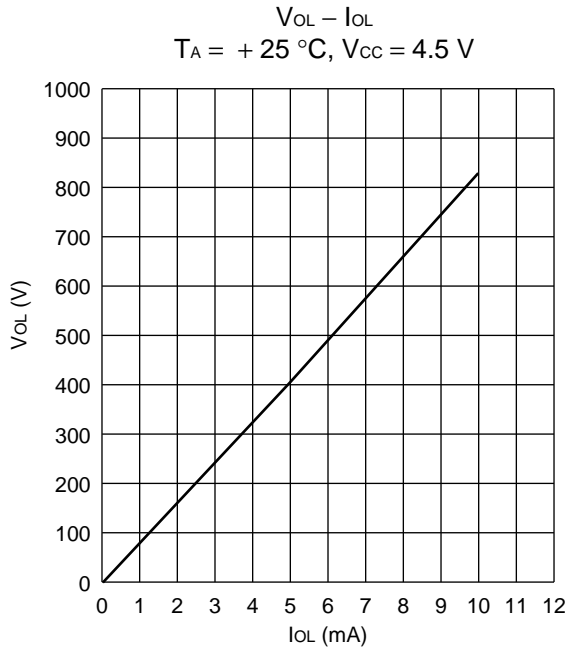
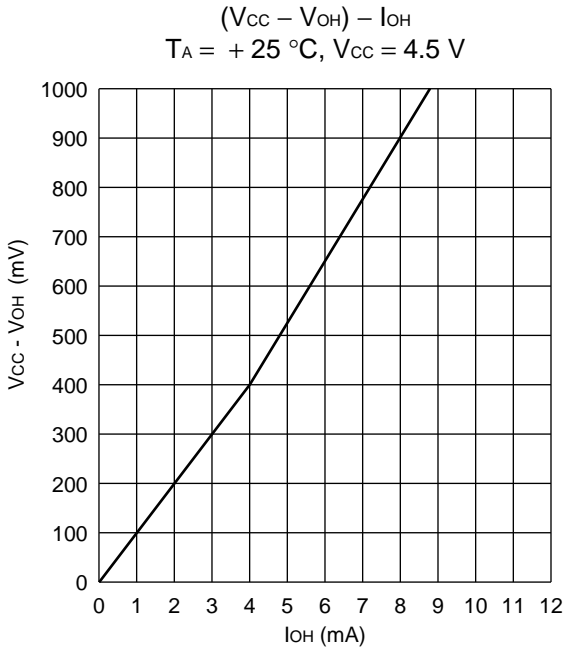
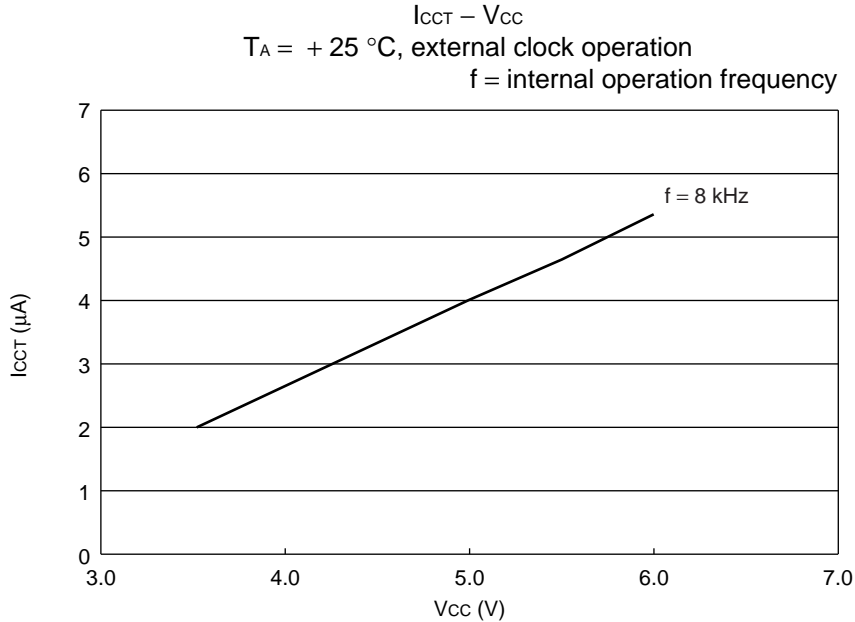
# MB90495G Series

(Continued)



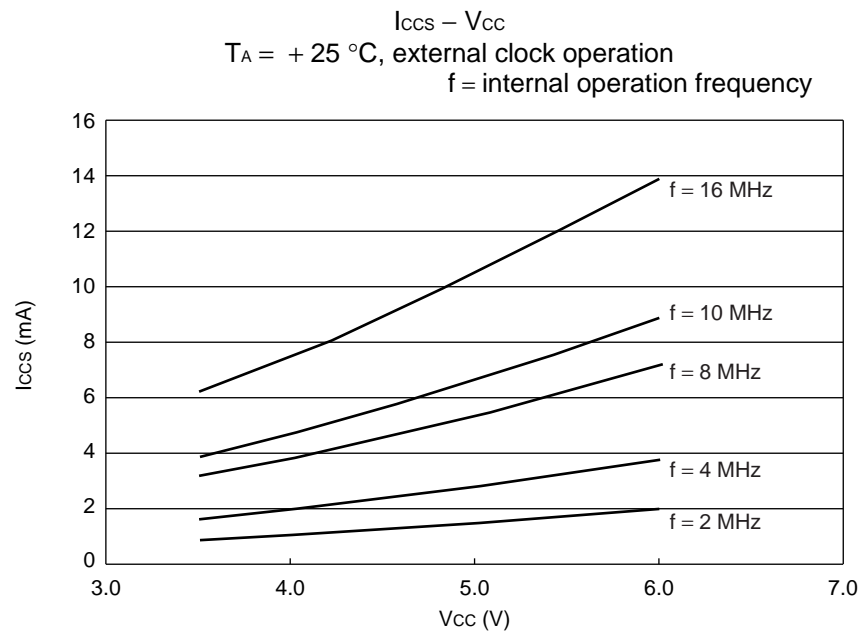
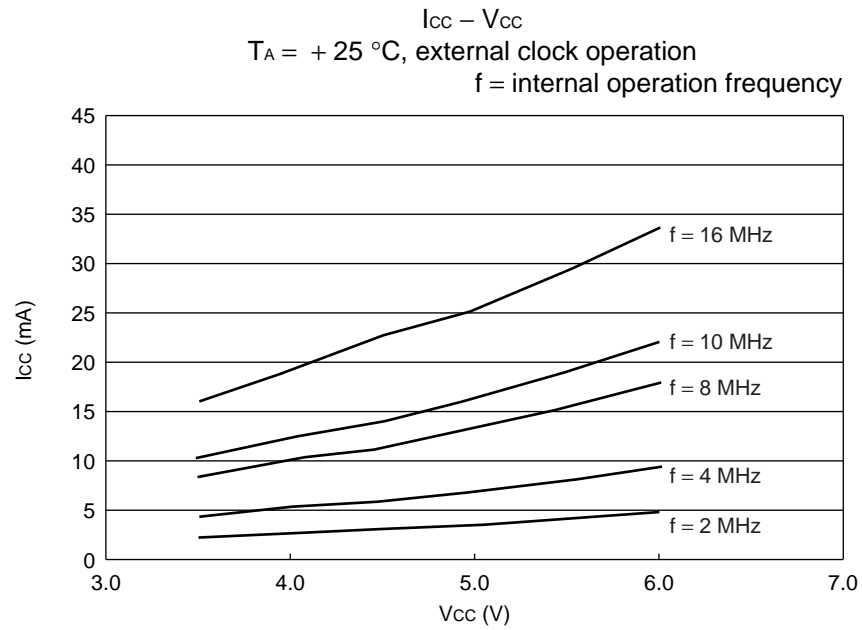
(Continued)

(Continued)



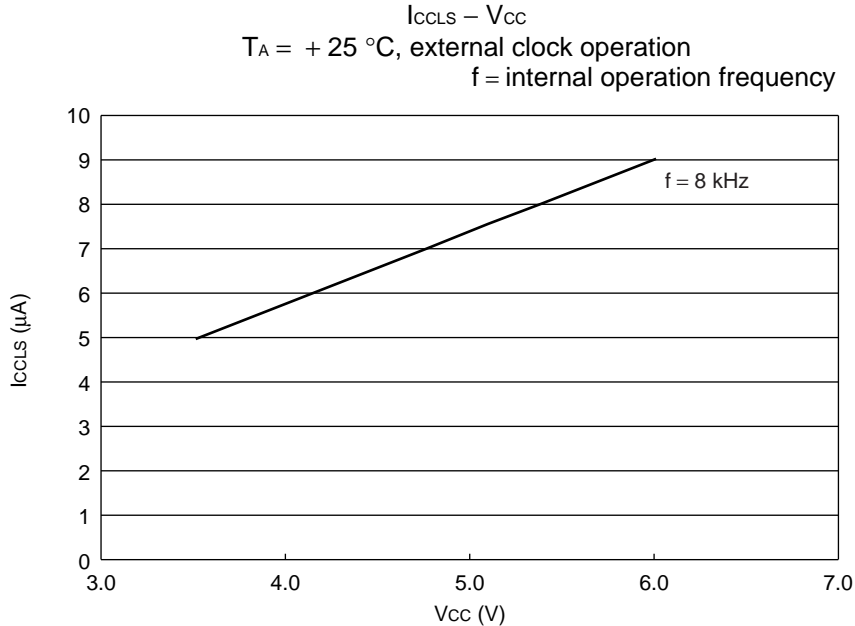
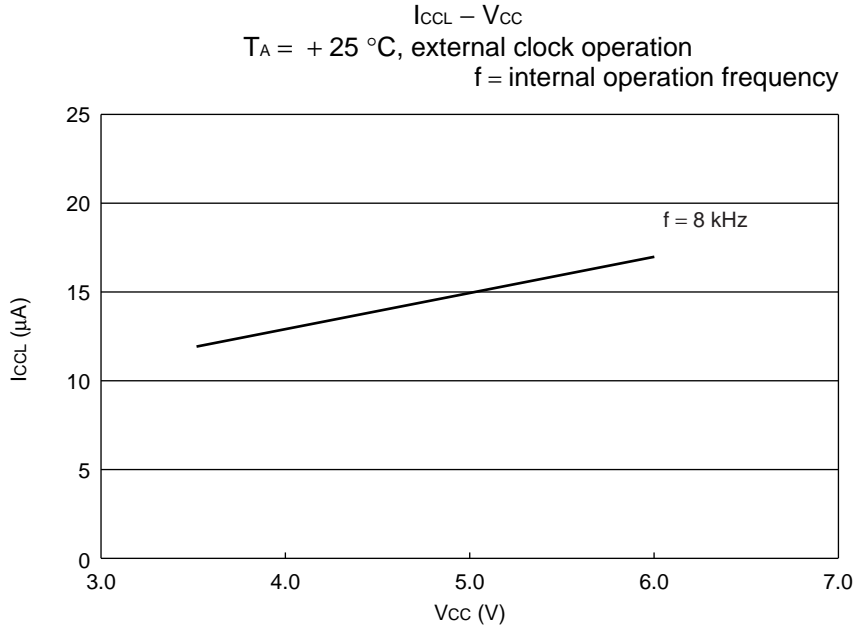
# MB90495G Series

• MB90497G



(Continued)

(Continued)

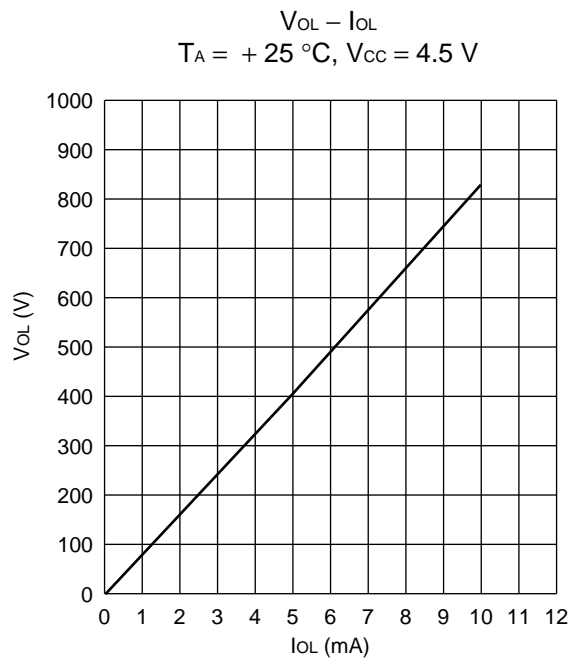
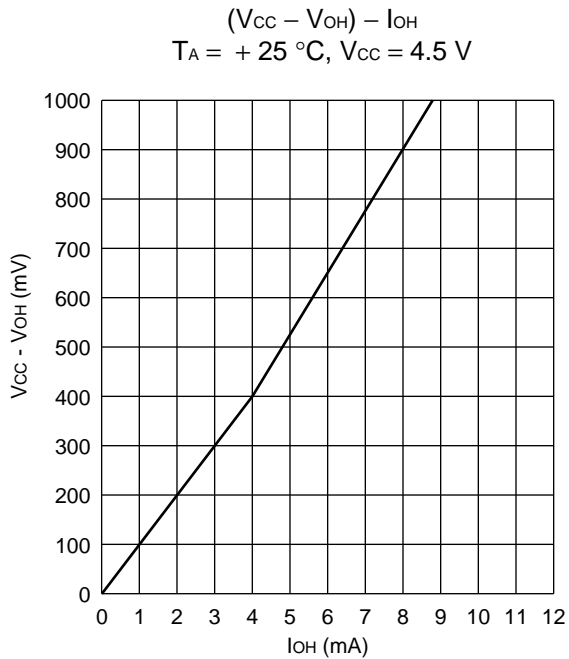
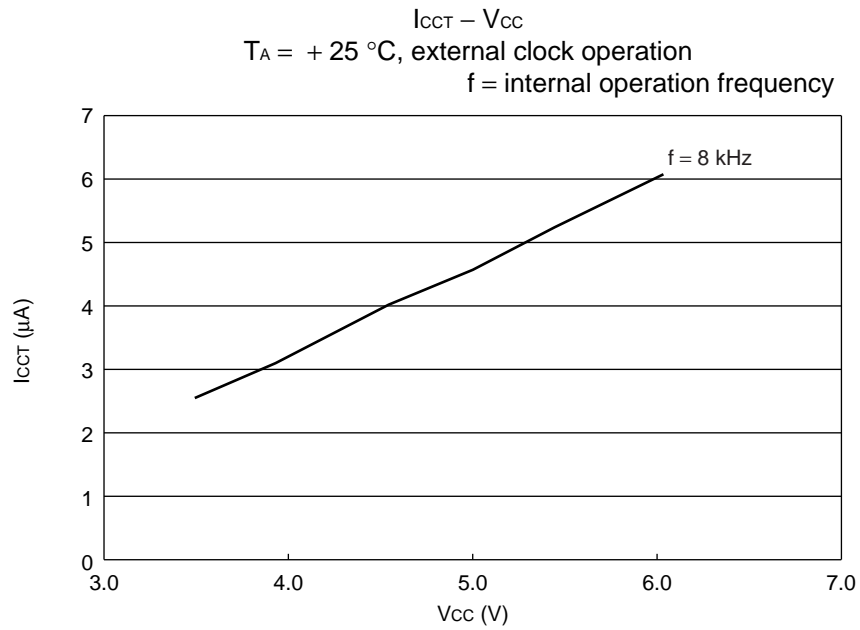


(Continued)



# MB90495G Series

(Continued)

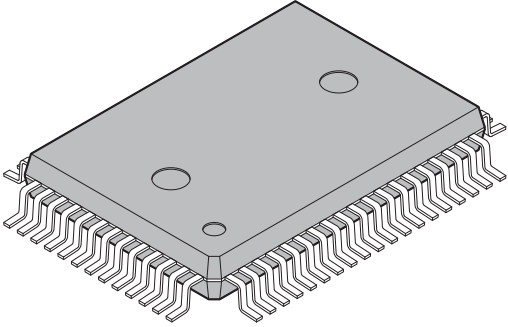


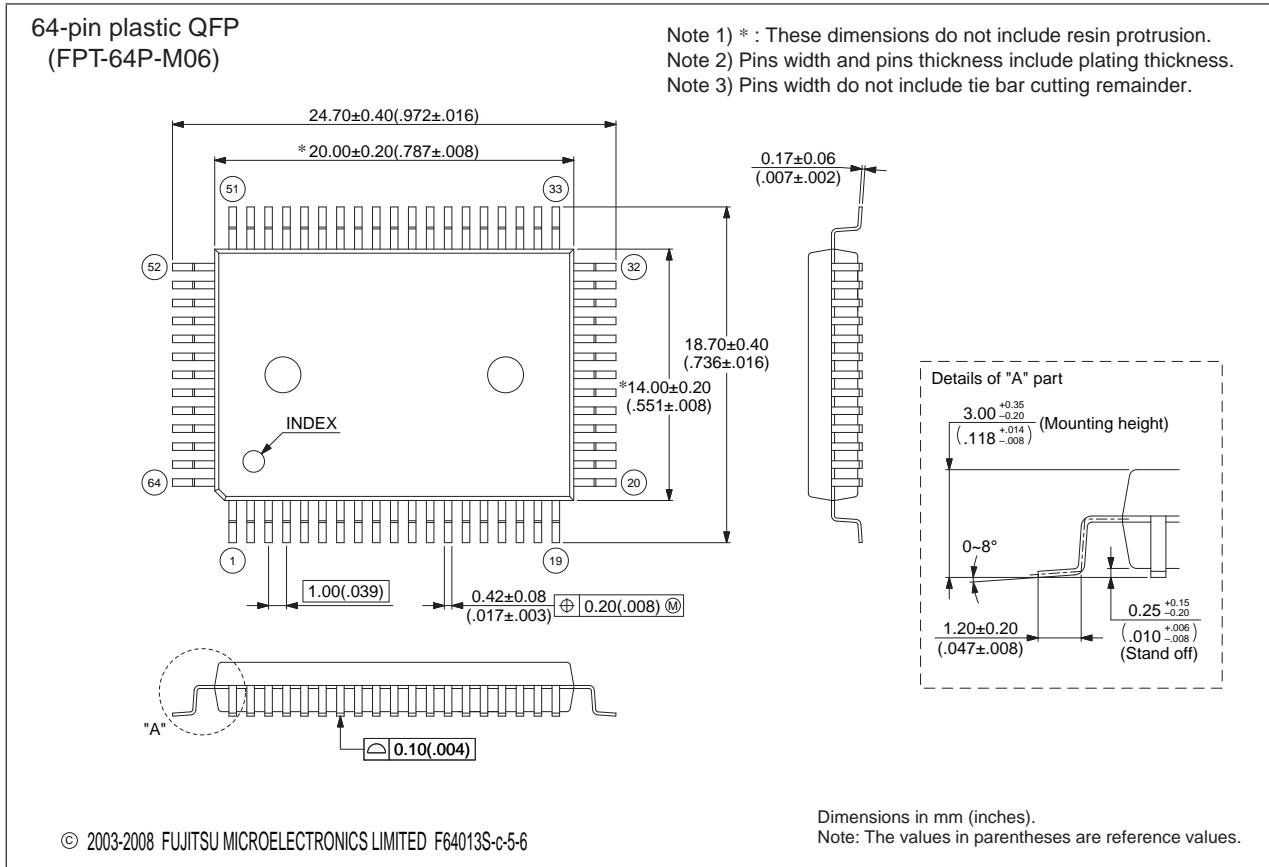
## ■ ORDERING INFORMATION

Part Number	Package	Remarks
MB90F497GPF MB90497GPF MB90F498GPF	64-pin plastic QFP (FPT-64P-M06)	
MB90F497GPMC MB90497GPMC MB90F498GPMC	64-pin plastic LQFP (FPT-64P-M23)	

# MB90495G Series

## PACKAGE DIMENSIONS

 <p>64-pin plastic QFP</p> <p>(FPT-64P-M06)</p>	Lead pitch	1.00 mm
	Package width × package length	14 × 20 mm
	Lead shape	Gullwing
	Sealing method	Plastic mold
	Mounting height	3.35 mm MAX
	Code (Reference)	P-QFP64-14×20-1.00

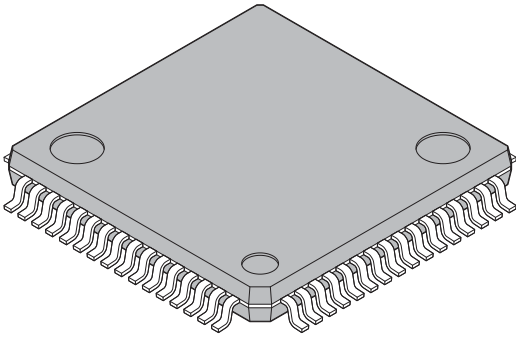


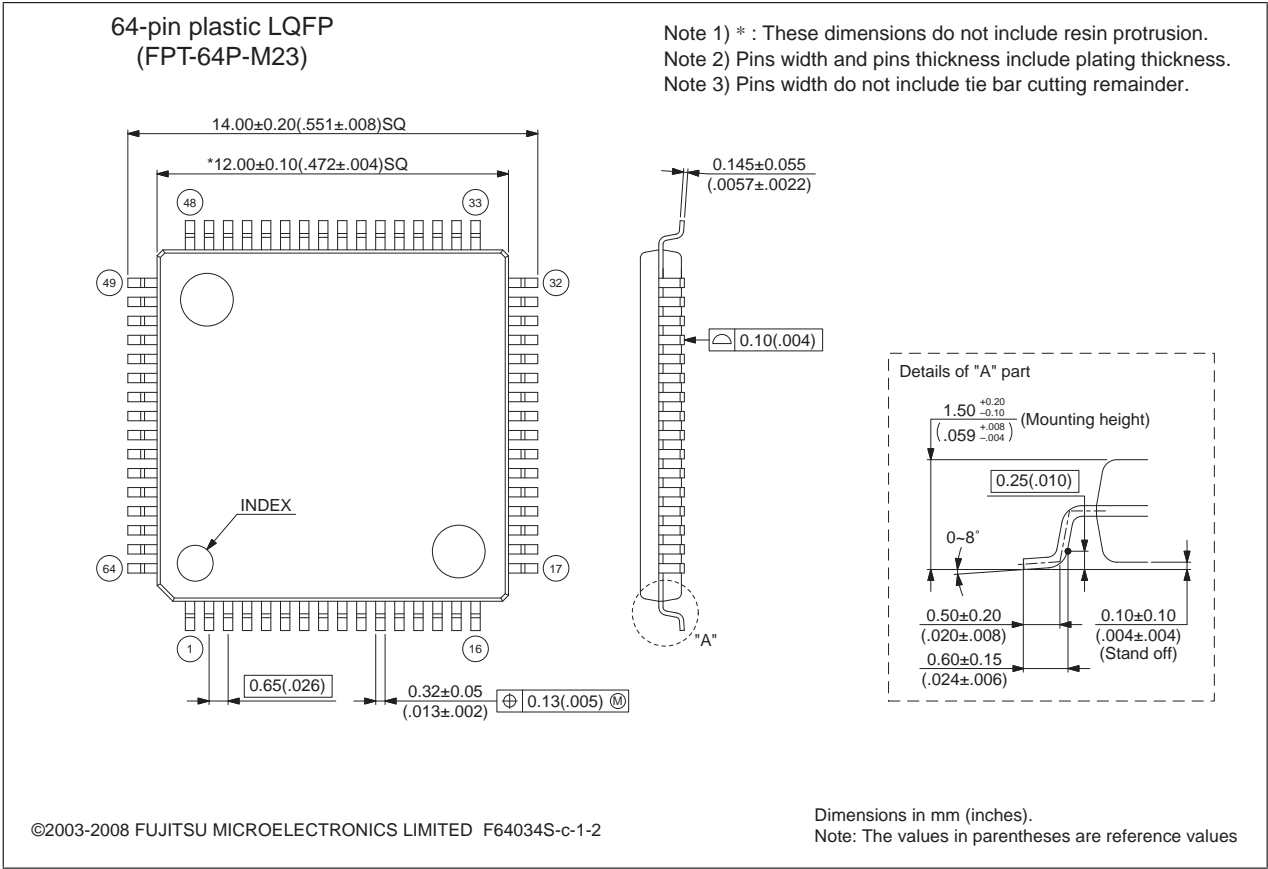
Please confirm the latest Package dimension by following URL.  
<http://edevic.fujitsu.com/package/en-search/>

(Continued)

# MB90495G Series

(Continued)

 <p>64-pin plastic LQFP</p> <p>(FPT-64P-M23)</p>	Lead pitch	0.65 mm
	Package width × package length	12.0 × 12.0 mm
	Lead shape	Gullwing
	Sealing method	Plastic mold
	Mounting height	1.70 mm MAX
	Code (Reference)	P-LFQFP64-12×12-0.65



Please confirm the latest Package dimension by following URL.  
<http://edevice.fujitsu.com/package/en-search/>

## ■ MAIN CHANGES IN THIS EDITION

Page	Section	Change Results
18	■ BLOCK DIAGRAM 16-bit reload timer	Corrected the direction of arrow for TIN0, TIN1 signal. “→ (output)”→ “← (input)”
23	■ I/O MAP Address : 0000AA <sub>H</sub>	Corrected the Initial Value of “Watch timer control register”. 10001000 <sub>B</sub> → 1X001000 <sub>B</sub>

The vertical lines marked in the left side of the page show the changes.

**MEMO**

**MEMO**

**MEMO**



# MB90495G Series

## FUJITSU MICROELECTRONICS LIMITED

Shinjuku Dai-Ichi Seimei Bldg., 7-1, Nishishinjuku 2-chome,  
Shinjuku-ku, Tokyo 163-0722, Japan  
Tel: +81-3-5322-3347 Fax: +81-3-5322-3387  
<http://jp.fujitsu.com/fml/en/>

*For further information please contact:*

### North and South America

FUJITSU MICROELECTRONICS AMERICA, INC.  
1250 E. Arques Avenue, M/S 333  
Sunnyvale, CA 94085-5401, U.S.A.  
Tel: +1-408-737-5600 Fax: +1-408-737-5999  
<http://www.fma.fujitsu.com/>

### Asia Pacific

FUJITSU MICROELECTRONICS ASIA PTE. LTD.  
151 Lorong Chuan,  
#05-08 New Tech Park 556741 Singapore  
Tel : +65-6281-0770 Fax : +65-6281-0220  
<http://www.fmal.fujitsu.com/>

### Europe

FUJITSU MICROELECTRONICS EUROPE GmbH  
Pittlerstrasse 47, 63225 Langen, Germany  
Tel: +49-6103-690-0 Fax: +49-6103-690-122  
<http://emea.fujitsu.com/microelectronics/>

### FUJITSU MICROELECTRONICS SHANGHAI CO., LTD.

Rm. 3102, Bund Center, No.222 Yan An Road (E),  
Shanghai 200002, China  
Tel : +86-21-6146-3688 Fax : +86-21-6335-1605  
<http://cn.fujitsu.com/fmc/>

### Korea

FUJITSU MICROELECTRONICS KOREA LTD.  
206 Kosmo Tower Building, 1002 Daechi-Dong,  
Gangnam-Gu, Seoul 135-280, Republic of Korea  
Tel: +82-2-3484-7100 Fax: +82-2-3484-7111  
<http://kr.fujitsu.com/fmk/>

### FUJITSU MICROELECTRONICS PACIFIC ASIA LTD.

10/F., World Commerce Centre, 11 Canton Road,  
Tsimshatsui, Kowloon, Hong Kong  
Tel : +852-2377-0226 Fax : +852-2376-3269  
<http://cn.fujitsu.com/fmc/en/>

Specifications are subject to change without notice. For further information please contact each office.

### All Rights Reserved.

The contents of this document are subject to change without notice.

Customers are advised to consult with sales representatives before ordering.

The information, such as descriptions of function and application circuit examples, in this document are presented solely for the purpose of reference to show examples of operations and uses of FUJITSU MICROELECTRONICS device; FUJITSU MICROELECTRONICS does not warrant proper operation of the device with respect to use based on such information. When you develop equipment incorporating the device based on such information, you must assume any responsibility arising out of such use of the information.

FUJITSU MICROELECTRONICS assumes no liability for any damages whatsoever arising out of the use of the information.

Any information in this document, including descriptions of function and schematic diagrams, shall not be construed as license of the use or exercise of any intellectual property right, such as patent right or copyright, or any other right of FUJITSU MICROELECTRONICS or any third party or does FUJITSU MICROELECTRONICS warrant non-infringement of any third-party's intellectual property right or other right by using such information. FUJITSU MICROELECTRONICS assumes no liability for any infringement of the intellectual property rights or other rights of third parties which would result from the use of information contained herein.

The products described in this document are designed, developed and manufactured as contemplated for general use, including without limitation, ordinary industrial use, general office use, personal use, and household use, but are not designed, developed and manufactured as contemplated (1) for use accompanying fatal risks or dangers that, unless extremely high safety is secured, could have a serious effect to the public, and could lead directly to death, personal injury, severe physical damage or other loss (i.e., nuclear reaction control in nuclear facility, aircraft flight control, air traffic control, mass transport control, medical life support system, missile launch control in weapon system), or (2) for use requiring extremely high reliability (i.e., submersible repeater and artificial satellite).

Please note that FUJITSU MICROELECTRONICS will not be liable against you and/or any third party for any claims or damages arising in connection with above-mentioned uses of the products.

Any semiconductor devices have an inherent chance of failure. You must protect against injury, damage or loss from such failures by incorporating safety design measures into your facility and equipment such as redundancy, fire protection, and prevention of over-current levels and other abnormal operating conditions.

Exportation/release of any products described in this document may require necessary procedures in accordance with the regulations of the Foreign Exchange and Foreign Trade Control Law of Japan and/or US export control laws.

The company names and brand names herein are the trademarks or registered trademarks of their respective owners.