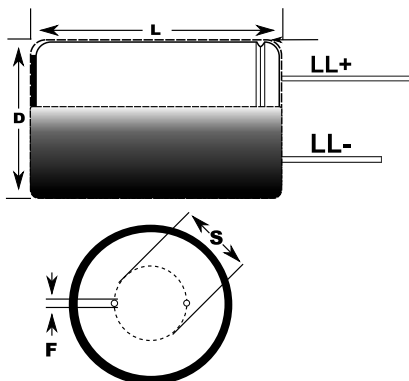


KEMET Part Number: ESC107M016AC3AA
(SC107M016AC3AAPLP)

Capacitor, aluminum, 100 uF, +/-20% Tol, -40/+105C, 16VDC@105° C



Dimensions (mm)		
Symbol	Dimension	Tolerance
D	5	+/-0.5
L	11	+1.5
S	2	+/-0.5
LLPos	20	MIN
LLNeg	15	MIN
F	0.5	

Packaging Specifications	
Package Kind:	Bulk
Package Quantity:	10000

General Information	
Supplier:	KEMET
Part Type Description:	Radial Cylindrical Aluminum Electrolytic
Style:	Radial Cylindrical
Lead Type:	Straight

Specifications	
Capacitance:	100 uF
Tolerance:	+/-20%
Rated Temperature:	105° C
Voltage @ rated temp:	16VDC
VDC Surge:	20VDC
Life @ rated temp:	2000 Hrs
RoHS:	Yes
Low Z/ESR:	Yes
Temperature Range:	-40/+105C
Leakage Condition:	2min/20c
Dissipation Factor:	12%
Impedance @ 100kHz:	370 mOhm
Impedance Ratio -40C:	5.0
Ripple 120Hz @ rated temp:	0.14 A
Ripple 1kHz @ rated temp:	0.18 A
Ripple 10kHz @ rated temp:	0.19 A
Ripple 100kHz @ rated temp:	0.2 A