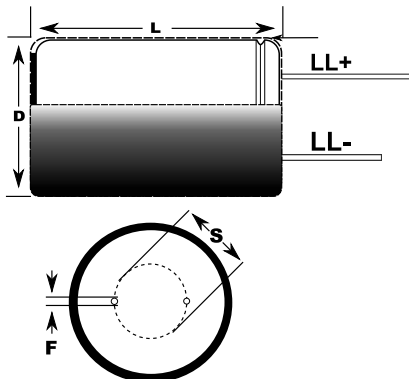


**KEMET Part Number: ESK108M016AH2AA**  
(SK108M016AH2AAPLP)

Capacitor, aluminum, 1000 uF, +/-20% Tol, -40/+85C, 16VDC@85° C



Dimensions (mm)		
Symbol	Dimension	Tolerance
D	10	+/-0.5
L	15	+2
S	5	+/-0.5
LLPos	20	MIN
LLNeg	15	MIN
F	0.6	

Packaging Specifications	
Package Kind:	Bulk
Package Quantity:	3000

General Information	
Supplier:	KEMET
Part Type Description:	Radial Cylindrical Aluminum Electrolytic
Style:	Radial Cylindrical
Lead Type:	Straight

Specifications	
Capacitance:	1000 uF
Tolerance:	+/-20%
Rated Temperature:	85° C
Voltage @ rated temp:	16VDC
VDC Surge:	20VDC
Life @ rated temp:	2000 Hrs
RoHS:	Yes
Temperature Range:	-40/+85C
Leakage Condition:	2min/20c
Dissipation Factor:	16%
Ripple 120Hz @ rated temp:	0.63 A