

Power Supply ICs for TFT-LCD Panels

Multi-channel System Power Supply IC for Small to Middle PANEL


BD8184MUV

No.11035EBT19

●Description

The BD8184MUV is a system power supply for the TFT-LCD panels used for liquid crystal Monitors and Note Display. Incorporates high-power FET with low on resistance for large currents that employ high-power packages, thus driving large current loads while suppressing the generation of heat. A charge pump controller is incorporated as well, thus greatly reducing the number of application components. Also Gate Shading Function is included.

●Features

- 1) Boost DC/DC converter; 18 V / 2.5 A switch current. (Target specification is $\pm 1\%$ accurate.)
- 2) Switching frequency: 1.2 MHz
- 3) Operational Amplifier (short current 200mA)
- 4) Incorporates Positive / Negative Charge-pump Controllers.
- 5) Gate Shading Function
- 6) VQFN024V4040 Package (4.0 mm x 4.0 mm)
- 7) Protection circuits: Under Voltage Lockout Protection Circuit
Thermal Shutdown Circuit (Latch Mode)
Over Current Protection Circuit (AVDD)
Timer Latch Mode Short Circuit Protection (AVDD SRC VGL)
Over / Under Voltage Protection Circuit for Boost DC/DC Output
No SCP time included (160ms from UVLO-off)

●Applications

Power supply for the TFT-LCD panels used for LCD Monitors and Note Display

●Absolute Maximum Ratings ($T_A = 25^\circ\text{C}$)

Parameter	Symbol	LIMIT	Unit
Supply Voltage 1	VIN	+7	V
Supply Voltage 2	AVDD	+20	V
Supply Voltage 3	SRC	+36	V
Switching Voltage	SW, DRP, DRN	+20	V
Input Voltage 1	RSTIN, DLY, CTL, FB, FBP, FBN	VIN+0.3	V
Input Voltage 2	INN, INP	+20	V
Output Voltage 1	RST, COMP, VREF	+7	V
Output Voltage 2	VCOM	+20	V
Output Voltage 3_1	GSOUT	+36	V
Output Voltage 3_2	SRC - GSOUT	+40	V
Junction Temperature	T _{ama}	150	°C
Power Dissipation	P _d	3560 ^{*1}	mW
Operating Temperature Range	T _{opr}	-40~85	°C
Storage Temperature Range	T _{stg}	-55~150	°C

*1 Derating is done 28.5mW/°C for operating above $T_a \geq 25^\circ\text{C}$ (On 4-layer 74.2mm × 74.2mm × 1.6mm board)

●Operating Range ($T_a = -40^\circ\text{C} \sim 85^\circ\text{C}$)

Parameter	Symbol	MIN	MAX	Unit
Supply Voltage 1	VIN	2.0	5.5	V
Supply Voltage 2	AVDD	6	18	V
Supply Voltage 3	SRC	12	34	V

● **Electrical characteristics** (unless otherwise specified VIN = 3.3V, AVDD = 10V and TA=25°C)

Parameter	Symbol	Limits			Unit	Condition
		Min	Typ	Max		
GENERAL						
Circuit Current	I _{VIN}	-	1.2	3	mA	No Switching
Under Voltage Lockout Threshold	V _{UVLO}	1.75	1.85	1.95	V	VIN rising
Internal Reference Output Voltage	VREF	1.238	1.250	1.262	V	No load
Thermal Shutdown (rising)	TSD	-	160	-	°C	Junction Temp
Duration to Trigger Fault Condition	T _{SCP}	-	55	-	ms	FB, FBP or FBN below threshold
BOOST CONVERTER (AVDD)						
FB Regulation Voltage	V _{FB}	1.238	1.250	1.262	V	Voltage rising
FB Fault Trip Level	V _{TL_FB}	0.95	1.0	1.05	V	VFB falling
FB Input Bias Current	I _{FB}	-	0.1	1	μA	VFB= 1.5V
SW Leakage Current	I _{SW_L}	-	0	10	μA	VSW=20V
Maximum switching Duty Cycle	M _{DUTY}	85	90	95	%	VFB= 1.0V
SW ON-Resistance	R _{SW}	-	200	-	mΩ	ISW= 200mA
SW Current Limit	I _{SWLIM}	2.5	-	-	A	
Over Voltage Protection	V _{OV}	-	20	-	V	AVDD rising
Under Voltage Protection	V _{UV}	1.3	1.6	1.9	V	AVDD falling
BOOST Soft Start Time	T _{SS_FB}	-	13.6	-	ms	
Oscillator frequency	F _{SW}	1.0	1.2	1.4	MHz	
RESET						
RST Output Low Voltage	V _{RST}	-	0.05	0.2	V	IRST =1.2mA
RSTIN Threshold Voltage	V _{TH_L}	1.18	1.25	1.32	V	RSTIN falling
RSTIN Input Current	I _{RSTIN}	-	0	-	μA	VRSTIN=0 to VIN-0.3
RST Blanking Time	T _{NO_SCP}	146	163	180	ms	No SCP Zone
Operational Amplifier						
Input Range	V _{RANGE}	0	-	AVDD	V	
Offset Voltage	V _{OS}	-	2	15	mV	VINP= 5.0V
Input Current	I _{INP}	-	0	-	μA	VINP= 5.0V
Output Swing Voltage (VINP= 5.0V)	V _{OH}	-	5.03	5.06	V	ICOM = +50mA
	V _{OL}	4.94	4.97	-	V	ICOM = -50mA
Short Circuit Current	I _{SHT_VCOM}	-	200	-	mA	
Slew Rate	SR	-	40	-	V/us	

● **Electrical characteristics** (unless otherwise specified VIN = 3.3V, AVDD = 10V and TA=25°C) (Continued)

Parameter	Symbol	Limits			Unit	Condition
		Min	Typ	Max		
Negative Charge pump driver (VGL)						
FBN Regulation Voltage	V _{FBN}	241	265	289	mV	
FBN Fault Trip Level	V _{TL_FBN}	400	450	500	mV	V _{FBN} rising
FBN Input Bias Current	I _{FBN}	-	0.1	1	μA	V _{FBN} = 0.1V
Oscillator frequency	F _{CPN}	500	600	700	kHz	
DRN Leakage Current	I _{DRN_L}	-	0	10	μA	V _{FBN} =1.0V
Positive Charge pump driver (SRC)						
FBP Regulation Voltage	V _{FBP}	1.23	1.25	1.27	V	
FBP Fault Trip Level	V _{TL_FBP}	0.95	1.0	1.05	V	V _{FBP} falling
FBP Input Bias Current	I _{FBP}	-	0.1	1	μA	V _{FBP} = 1.5V
Oscillator frequency	F _{CPP}	500	600	700	kHz	
DRP Leakage Current	I _{DRP_L}	-	0	10	μA	V _{FBP} = 1.5V
Soft-Start Time	T _{SSP}	-	3.4	-	ms	
Gate Shading Function (GSOUT)						
DLY Source Current	I _{DLY}	4	5	6	μA	
DLY Threshold Voltage	V _{TL_DLY}	1.22	1.25	1.28	V	V _{DLY} falling
CTL Input Voltage High	V _{IN_H}	2.0	-	-	V	
CTL Input Voltage Low	V _{IN_L}	-	-	0.5	V	
CTL Input Bias Current	I _{CTL}	-	0	-	μA	VRSTIN=0 to VIN-0.3
Propagation delay time (Rising)	T _{GS_R}	-	100	-	ns	V _{SRC} = 25V
Propagation delay time (Falling)	T _{GS_F}	-	100	-	ns	V _{SRC} = 25V
SRC -GSOUT ON Resistance	R _{GS_H}	-	15	-	Ω	V _{DLY} = 1.5V
GSOUT-RE ON Resistance	R _{GS_M}	-	30	-	Ω	V _{DLY} = 1.5V
GSOUT-GND ON Resistance	R _{GS_L}	-	2.5	-	kΩ	V _{DLY} = 1.0V

○ This product is not designed for protection against radio active rays.

●Electrical characteristic curves (Reference data)

(Unless otherwise specified VIN = 3.3V, AVDD = 10V and TA=25°C)

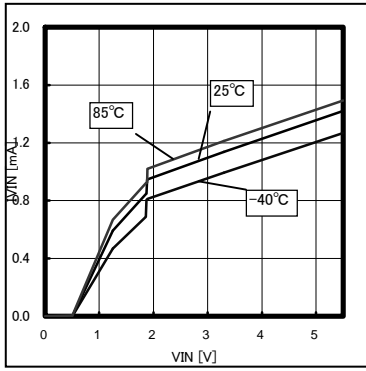


Fig.1 Circuit Current (No switching)

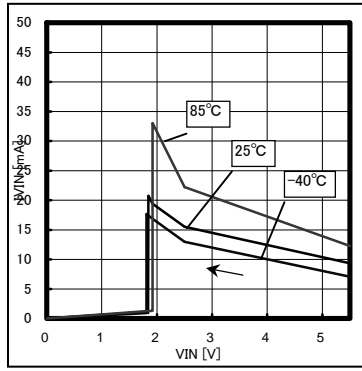


Fig.2 Circuit Current (Switching)

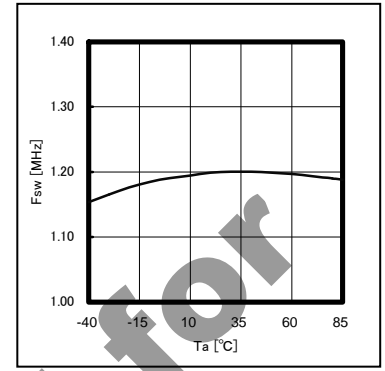


Fig.3 Dependent on Temperature Frequency

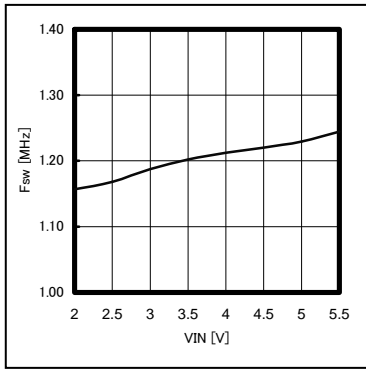


Fig.4 Dependent on Input Voltage Frequency

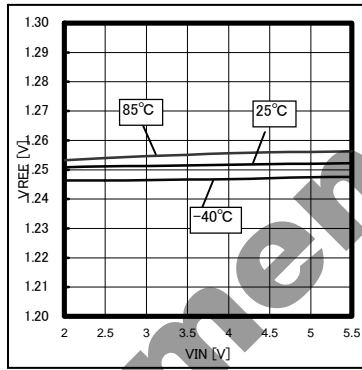


Fig.5 VREF Line Regulation

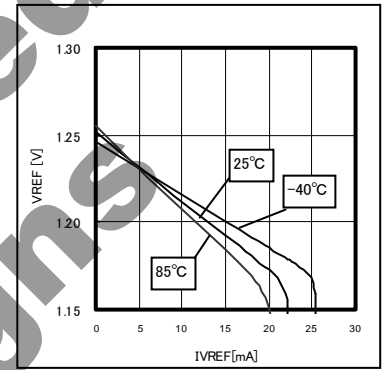


Fig.6 VREF Load Regulation

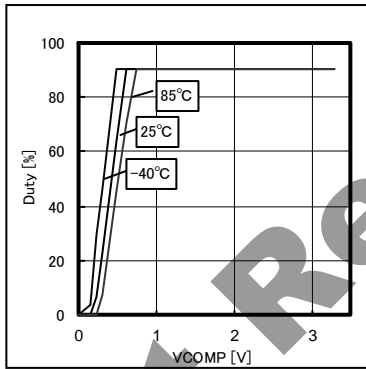


Fig.7 COMP V.S. CDUTY

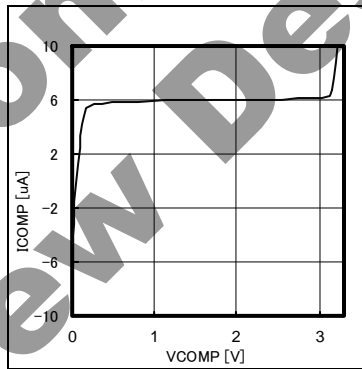


Fig.8 COMP Sink Current

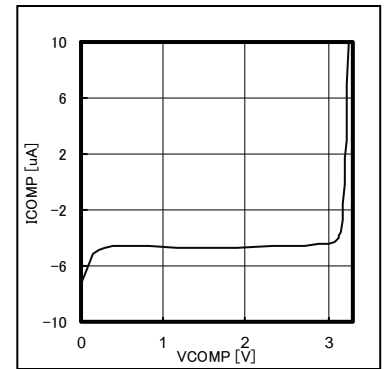


Fig.9 COMP Source Current

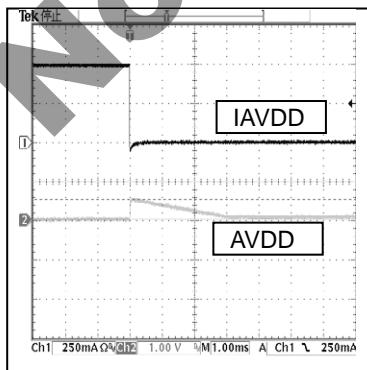


Fig.10 Load Transient Response Falling

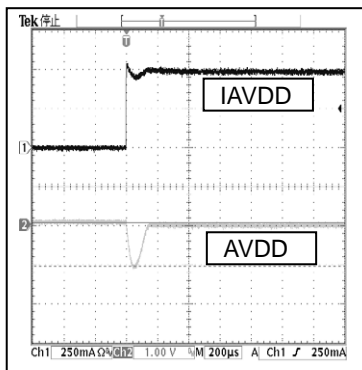


Fig.11 Load Transient Response Rising

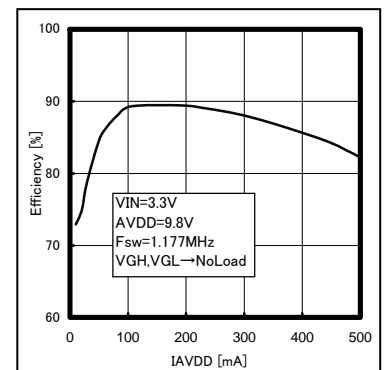


Fig.12 Boost Converter Efficiency

●Electrical characteristic curves (Reference data) – Continued

(Unless otherwise specified VIN = 3.3V, AVDD = 10V and TA=25°C)

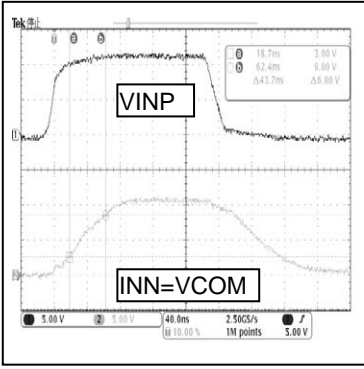


Fig.13 VCOM Slew Rate (Rising)

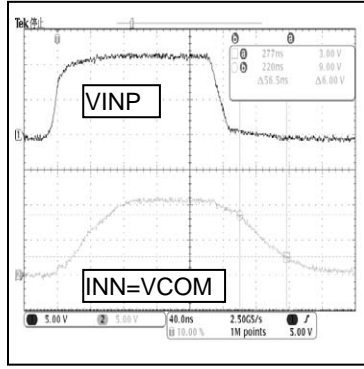


Fig.14 VCOM Slew Rate (falling)

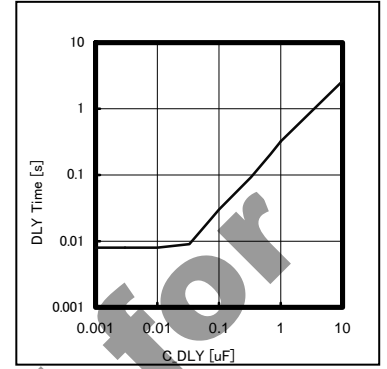


Fig.15 C_DLY vs. delay time

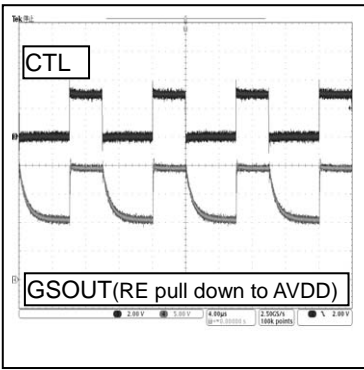


Fig. 16 Gate Shading Wave form1

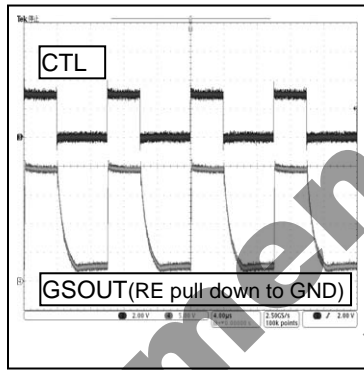


Fig.17 Gate Shading Wave form2

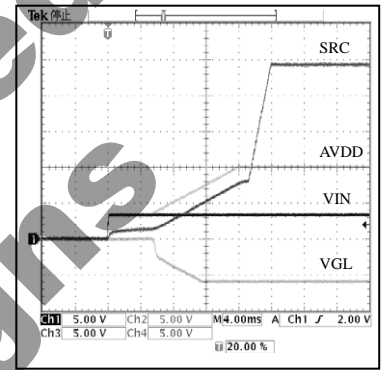


Fig.18 Power On Sequence1 (Main Output)

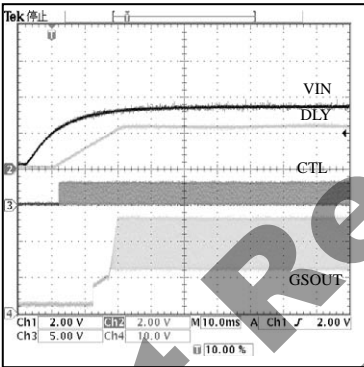


Fig.19 Power On Sequence2 (CTL=signal, RE pull down to AVDD)

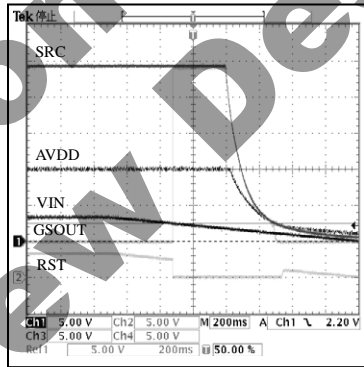


Fig.20 Power Off Sequence1 (R_RST_U=10k,R_RST_D=10k)

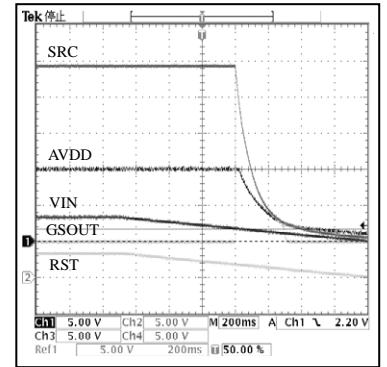


Fig.21 Power Off Sequence2 (R_RST_U=10k,R_RST_D=OPEN)

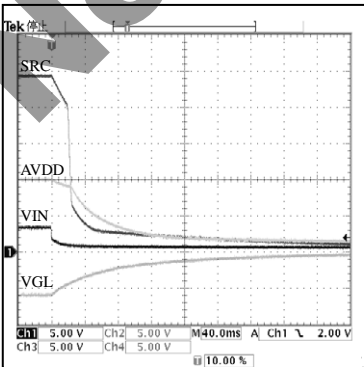


Fig.22 Power On Sequence3 (Main Output)

●Block Diagram

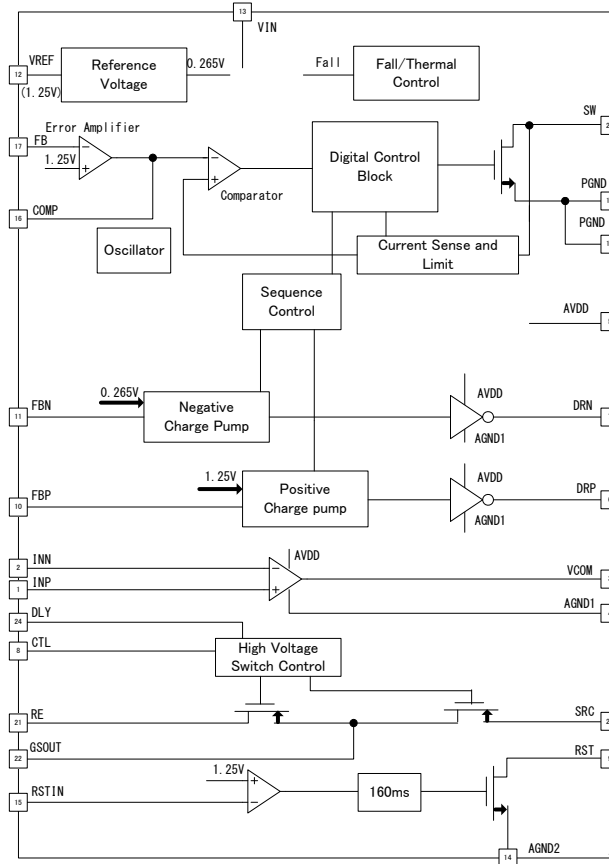


Fig.23 Block Diagram

●Pin Configuration

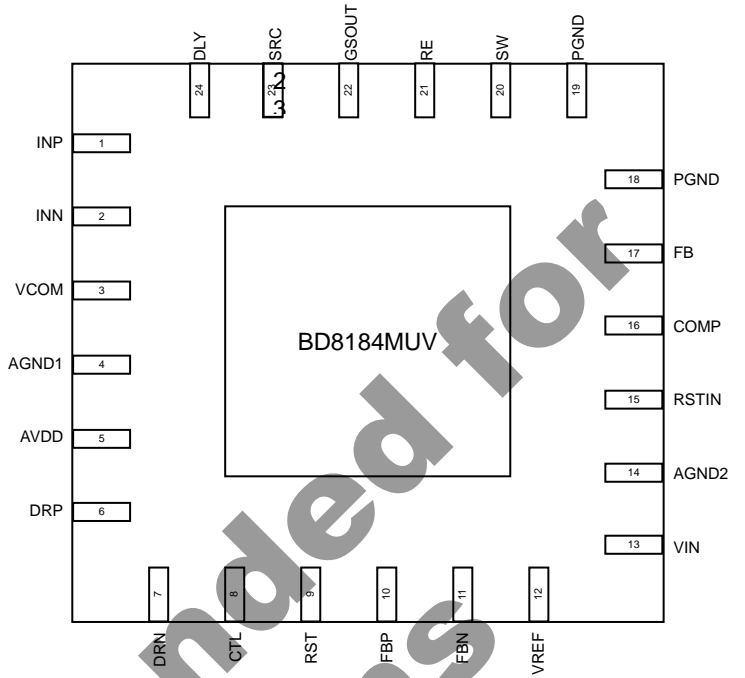


Fig.24 Pin Configuration

●Package Dimension

VQFN024V4040

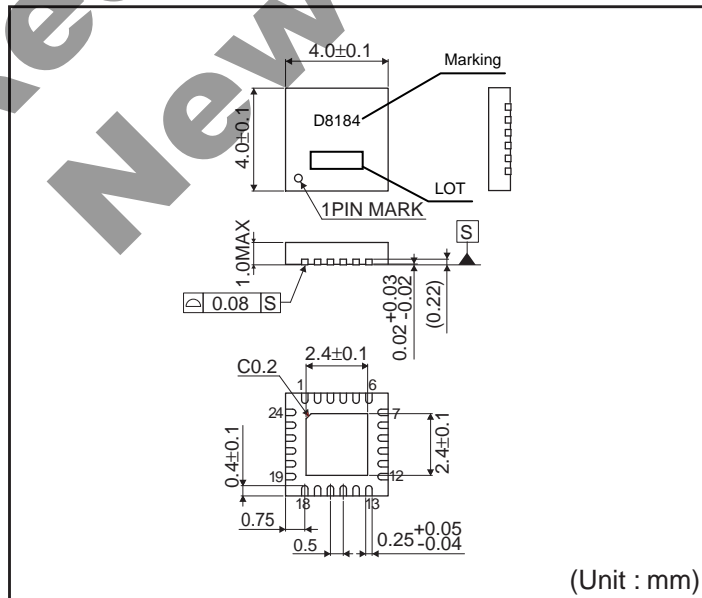


Fig.25 Package Dimension (UNIT : mm)

● Pin Assignments

PINNO.	Pin name	Function
1	INP	COM Amplifier input +
2	INN	COM Amplifier input -
3	VCOM	COM Amplifier output
4	AGND1	Ground
5	AVDD	Supply voltage input for com, charge pump
6	DRP	Drive pin of the positive charge pump
7	DRN	Drive pin of the negative charge pump
8	CTL	High voltage switch control pin
9	RST	Open drain reset output
10	FBP	Positive charge pump feed back
11	FBN	Negative charge pump feed back
12	VREF	Internal Reference voltage output
13	VIN	Supply voltage input for PWM
14	AGND2	Ground
15	RSTIN	Reset comparator input
16	COMP	BOOST amplifier output
17	FB	BOOST amplifier input
18	PGND1	BOOST FET ground
19	PGND2	BOOST FET ground
20	SW	BOOST FET Drain
21	RE	Gate High voltage Fall set pin
22	GSOUT	Gate High voltage output set pin
23	SRC	Gate High voltage input set pin
24	DLY	GSOUT Delay Adjust pin

●Main Block Function

- Boost Converter
 - A controller circuit for DC/DC boosting.
 - The switching duty is controlled so that the feedback voltage FB is set to 1.25 V (typ.).
 - A soft start operates at the time of starting.
- Positive Charge Pump
 - A controller circuit for the positive-side charge pump.
 - The switching amplitude is controlled so that the feedback voltage FBP will be set to 1.25 V (typ.).
- Negative Charge Pump
 - A controller circuit for the negative-side charge pump.
 - The switching amplitude is controlled so that the feedback voltage FBN will be set to 0.265 V (Typ.).
- Gate Shading Controller
 - A controller circuit for P-MOS FET Switch
 - The GSOUT switching synchronize with CTL input.
 - When VIN drops below UVLO threshold or RST=Low(=RSTIN<1.25V), GSOUT is pulled High(=SRC).
- VCOM
 - A 1-channel operational amplifier block.
- Reset
 - An open-drain output(RST) refer from RSTIN voltage(up to threshold voltage 1.25V)
 - RST is keep High(need a pull-up resistor connected to VIN) dulling to 163ms from start-up.
- VREF
 - A block that generates internal reference voltage of 1.25V (Typ.).
 - VREF is keep High when the thermal/short-current-protection shutdown circuit.
- TSD/UVLO/OVP/UVP
 - The thermal shutdown circuit is shut down at an IC internal temperature of 160°C.
 - The under-voltage lockout protection circuit shuts down the IC when the VIN is 1.85 V (Typ.) or below.
 - The over-voltage protection circuit when the SW is 19 V (Typ.) or over.
 - The under-voltage protection circuit when the SW is 1.3 V (Typ.) or under
- Start-up Controller
 - A control circuit for the starting sequence.
 - Controls to start in order of VCC → VGL → VDD → SRC
 - (Please refer to Fig.4 of next page for details.)

●Power Sequence

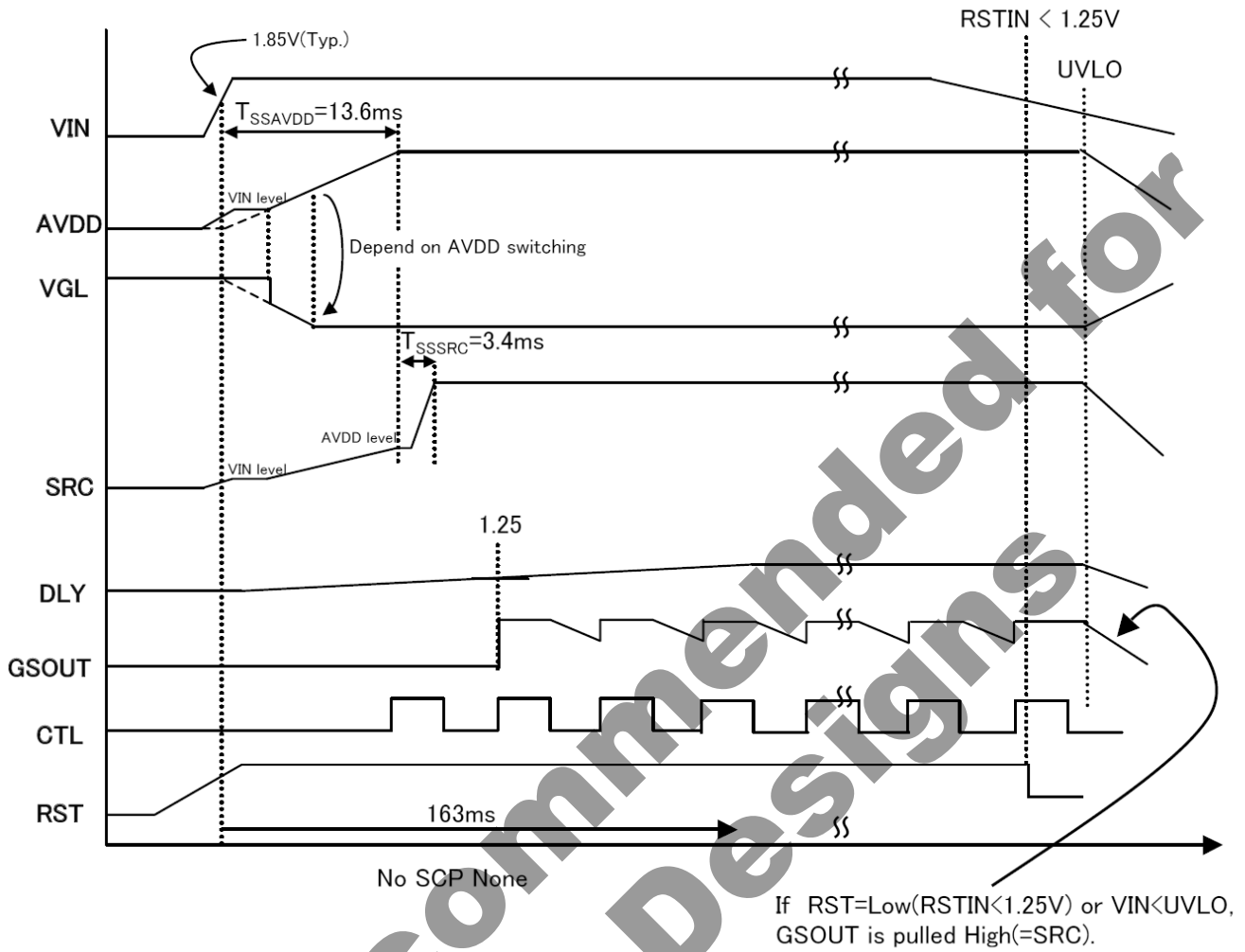


Fig.26 Power Sequence

Not Recommended for New Designs

●How to select parts of application

(1-1) Setting the Output L Constant (Boost Converter)

The coil to use for output is decided by the rating current I_{LR} and input current maximum value I_{INMAX} of the coil.

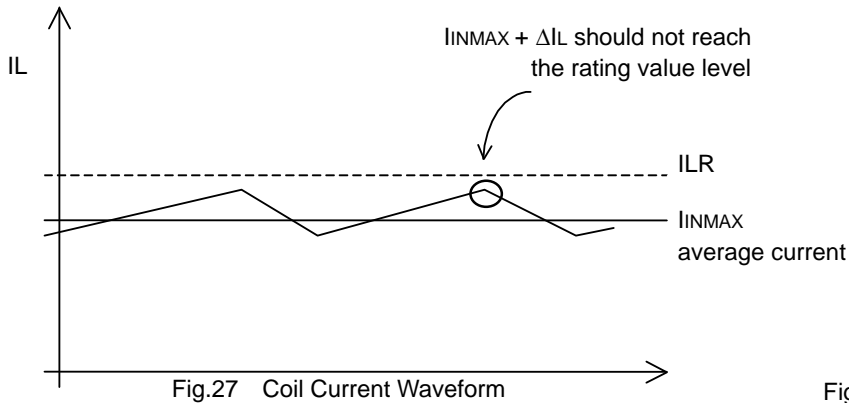


Fig. 27 Coil Current Waveform

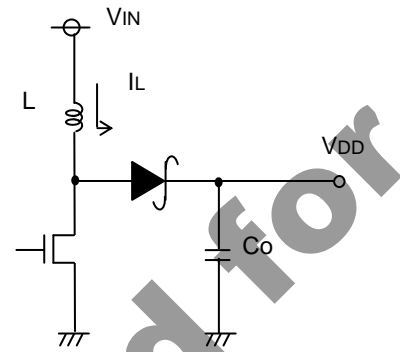


Fig. 28 Output Application Circuit Diagram

Adjust so that $I_{INMAX} + \Delta I_L$ does not reach the rating current value I_{LR} . At this time, ΔI_L can be obtained by the following equation.

$$\Delta I_L = \frac{1}{L} \times V_{IN} \times \frac{V_{DD} - V_{IN}}{V_{DD}} \times \frac{1}{f} \quad [A] \quad \text{Here, } f \text{ is the switching frequency.}$$

Set with sufficient margin because the coil value may have the dispersion of $\pm 30\%$. If the coil current exceeds the rating current I_{LR} of the coil, it may damage the IC internal element.

BD8164MUV uses the current mode DC/DC converter control and has the optimized design at the coil value. A coil inductance (L) of 4.7 μH to 15 μH is recommended from viewpoints of electric power efficiency, response, and stability.

(2) Output Capacity Settings

For the capacitor to use for the output, select the capacitor which has the larger value in the ripple voltage V_{PP} allowance value and the drop voltage allowance value at the time of sudden load change. Output ripple voltage is decided by the following equation.

Here, f is the switching frequency.

$$\Delta V_{PP} = I_{LMAX} \times R_{ESR} + \frac{1}{fC_O} \times \frac{V_{IN}}{V_{DD}} \times \left(I_{LMAX} - \frac{\Delta I_L}{2} \right) \quad [V]$$

Perform setting so that the voltage is within the allowable ripple voltage range.

For the drop voltage during sudden load change; V_{DR} , please perform the rough calculation by the following equation.

$$V_{DR} = \frac{\Delta I}{C_O} \times 10 \mu\text{s} \quad [V]$$

However, 10 μs is the rough calculation value of the DC/DC response speed. Please set the capacitance considering the sufficient margin so that these two values are within the standard value range.

(3) Selecting the Input Capacitor

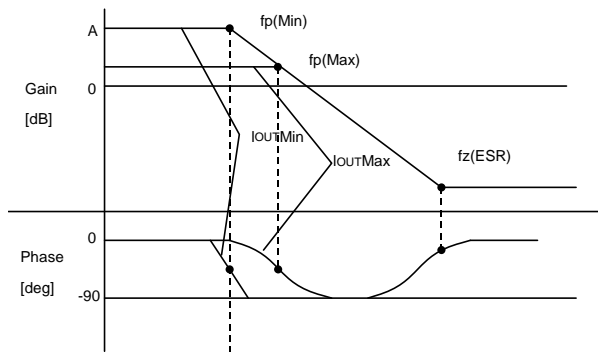
Since the peak current flows between the input and output at the DC/DC converter, a capacitor is required to install at the input side. For the reason, the low ESR capacitor is recommended as an input capacitor which has the value more than 10 μF and less than 100 $\text{m}\Omega$. If a capacitor out of this range is selected, the excessive ripple voltage is superposed on the input voltage, accordingly it may cause the malfunction of IC.

However these conditions may vary according to the load current, input voltage, output voltage, inductance and switching frequency. Be sure to perform the margin check using the actual product.

(4) Setting Rc, Cc of the Phase Compensation Circuit

In the current mode control, since the coil current is controlled, a pole (phase lag) made by the CR filter composed of the output capacitor and load resistor will be created in the low frequency range, and a zero (phase lead) by the output capacitor and ESR of capacitor will be created in the high frequency range. In this case, to cancel the pole of the power amplifier, it is easy to compensate by adding the zero point with Cc and Rc to the output from the error amp as shown in the illustration.

Open loop gain characteristics



$$F_p = \frac{1}{2\pi \times R_o \times C_o} \text{ [Hz]}$$

$$f_z(\text{ESR}) = \frac{1}{2\pi \times \text{ESR} \times C_o} \text{ [Hz]}$$

Pole at the power amplification stage

When the output current reduces, the load resistance R_o increases and the pole frequency lowers.

$$f_p(\text{Min}) = \frac{1}{2\pi \times R_{o\text{Max}} \times C_o} \text{ [Hz]} \leftarrow \text{at light load}$$

$$f_z(\text{Max}) = \frac{1}{2\pi \times R_{o\text{Min}} \times C_o} \text{ [Hz]} \leftarrow \text{at heavy load}$$

Zero at the power amplification stage

When the output capacitor is set larger, the pole frequency lowers but the zero frequency will not change. (This is because the capacitor ESR becomes 1/2 when the capacitor becomes 2 times.)

$$f_p(\text{Amp.}) = \frac{1}{2\pi \times R_c \times C_c} \text{ [Hz]}$$

Error amp phase compensation characteristics

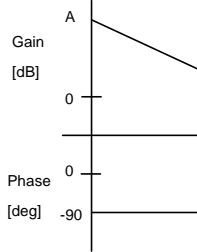


Fig. 29 Gain vs Phase

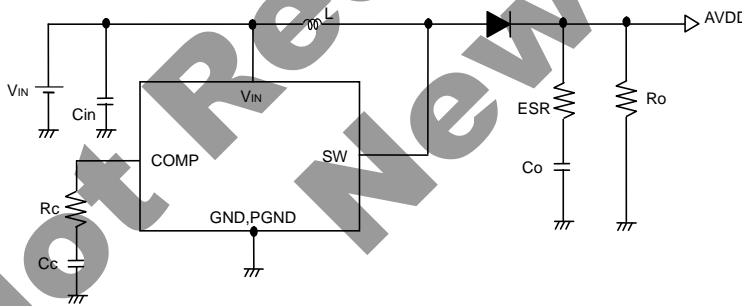


Fig. 30 Application Circuit Diagram

It is possible to realize the stable feedback loop by canceling the pole $f_p(\text{Min.})$, which is created by the output capacitor and load resistor, with CR zero compensation of the error amp as shown below.

$$f_z(\text{Amp.}) = f_p(\text{Min.}) \rightarrow \frac{1}{2\pi \times R_c \times C_c} = \frac{1}{2\pi \times R_{o\text{max}} \times C_o} \text{ [Hz]}$$

(5) Design of the Feedback Resistor Constant

Refer to the following equation to set the feedback resistor. As the setting range, 6.8 kΩ to 330 kΩ is recommended. If the resistor is set lower than a 6.8 kΩ, it causes the reduction of power efficiency. If it is set more than 330 kΩ, the offset voltage becomes larger by the input bias current 0.1 μA(Typ.) in the internal error amplifier.

$$AVDD = \frac{R1 + R2}{R2} \times FB \quad [V]$$

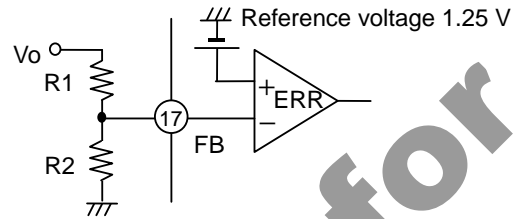


Fig. 31 Application Circuit Diagram

(6) Positive-side Charge Pump Settings

The IC incorporates a charge pump controller, thus making it possible to generate stable gate voltage. The output voltage is determined by the following formula. As the setting range, 6.8 kΩ to 330 kΩ is recommended. If the resistor is set lower than a 6.8kΩ, it causes the reduction of power efficiency. If it is set more than 330 kΩ, the offset voltage becomes larger by the input bias current 0.1 μA (Typ.) in the internal error amp.

$$SRC = \frac{R3 + R4}{R4} \times FBP \quad [V]$$

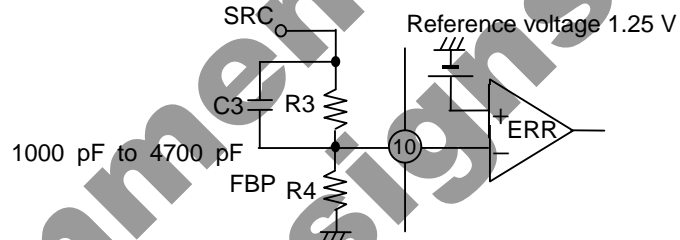


Fig. 32 Application Circuit Diagram

In order to prevent output voltage overshooting, add capacitor C3 in parallel with R3. The recommended capacitance is 1000 pF to 4700 pF. If a capacitor outside this range is inserted, the output voltage may oscillate.

(7) Negative-side Charge Pump Settings

This IC incorporates a charge pump controller for negative voltage, thus making it possible to generate stable gate voltage. The output voltage is determined by the following formula. As the setting range, 6.8 kΩ to 330 kΩ is recommended. If the resistor is set lower than a 6.8 kΩ, it causes the reduction of power efficiency. If it is set more than 330 kΩ, the offset voltage becomes larger by the input bias current 0.1 μA (Typ.) in the internal error amp.

$$VGL = (FBN - VREF) \frac{R5}{R6} + FBN \quad [V]$$

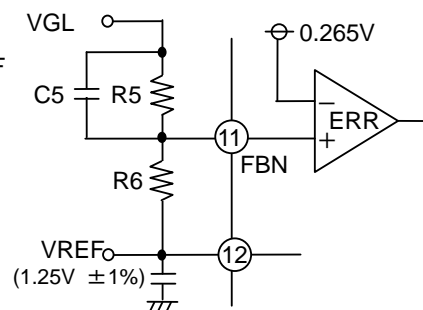


Fig. 33 Application Circuit Diagram

In order to prevent output voltage overshooting, insert capacitor C5 in parallel with R5. The recommended capacitance is 1000 pF to 4700 pF. If a capacitor outside this range is inserted, the output voltage may oscillate.

● Application Circuit

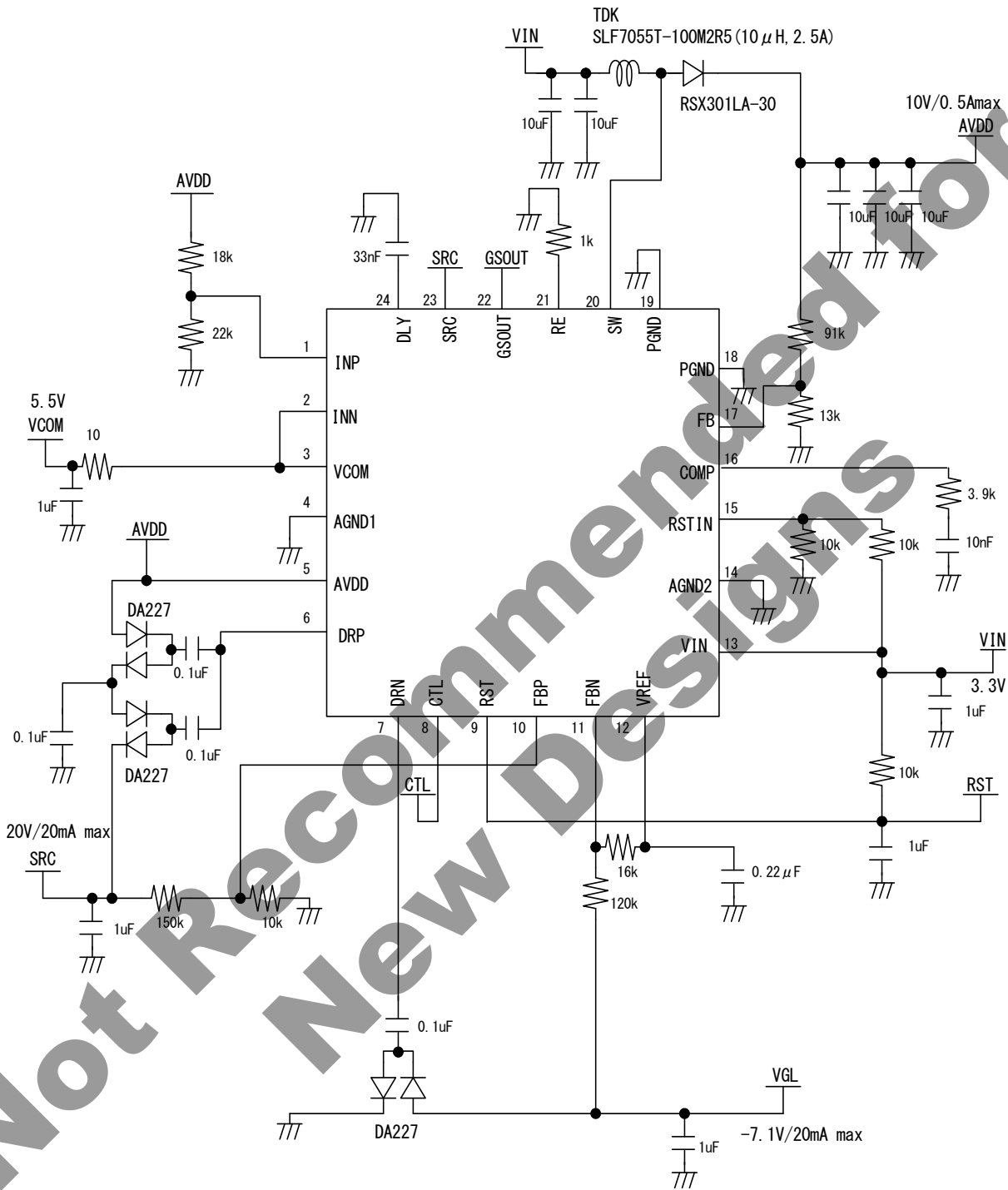
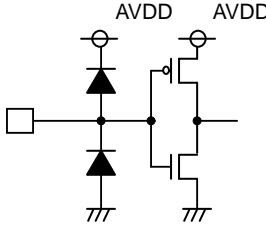
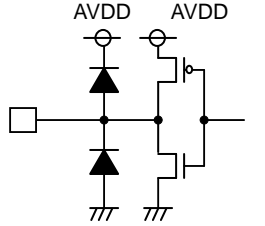
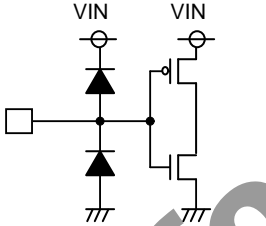
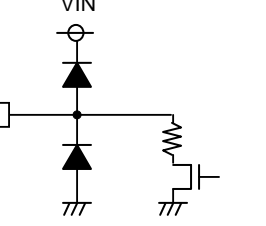
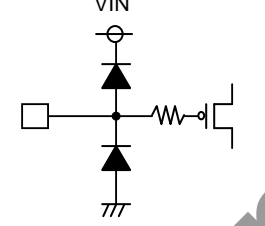
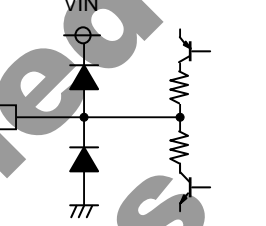
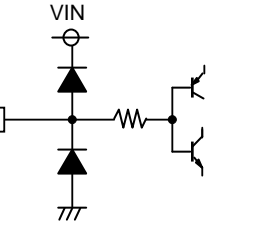
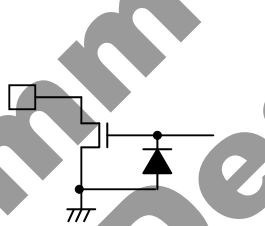
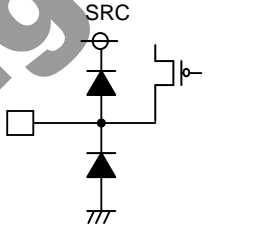
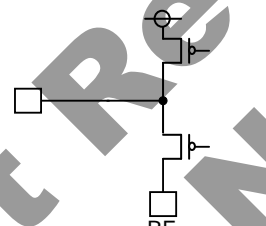
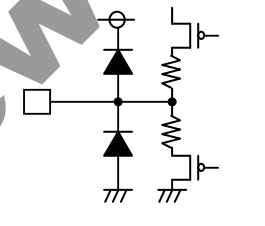


Fig. 34 Application Circuit

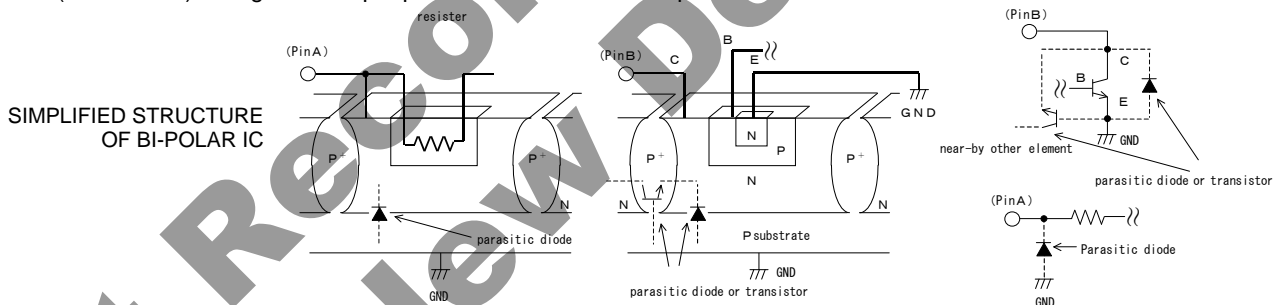
● I/O Equivalent Circuit Diagrams

(Except for 4.AGND1, 5.AVDD, 13.VIN, 14.AGND2, 18·19.PGND, 23.SRC)

<p>1.INP 2.INN</p> 	<p>3.VCOM 6.DRP 7.DRN</p> 	<p>8.CTL</p> 
<p>9.RST</p> 	<p>10.FBP 11.FBN 15.RSTIN</p> 	<p>16.COMP</p> 
<p>17.FB</p> 	<p>18.SW</p> 	<p>21.RE</p> 
<p>22.GSOUT</p> 	<p>24.DLY</p> 	

● Operation Notes

- Absolute maximum range**
 This product are produced with strict quality control, but might be destroyed in using beyond absolute maximum ratings. Open IC destroyed a failure mode cannot be defined (like Short mode, or Open mode). Therefore physical security countermeasure, like fuse, is to be given when a specified mode to be beyond absolute maximum ratings is considered.
- About Rush Current**
 Rush current might flow momentarily by the order of turning on the power supply and rise time in IC with two or more power supplies. Therefore, please note drawing the width of the power supply and the GND pattern wiring, the output capacity, and the pattern and the current abilities.
- Setting of heat**
 Use a setting of heat that allows for a sufficient margin in light of the power dissipation (Pd) in actual operating conditions.
- Short Circuit between Terminal and Soldering**
 Don't short-circuit between Output pin and VIN pin, Output pin and GND pin, or VIN pin and GND pin. When soldering the IC on circuit board, please be unusually cautious about the orientation and the position of the IC. When the orientation is mistaken the IC may be destroyed.
- Electromagnetic Field**
 Mal-function may happen when the device is used in the strong electromagnetic field.
- Ground wiring patterns**
 When using both small signal and large current GND patterns, it is recommended to isolate the two ground patterns, placing a single ground point at the application's reference point so that the pattern wiring resistance and voltage variations caused by large currents do not cause variations in the small signal ground voltage. Be careful not to change the GND wiring patterns of any external components.
- This IC is a monolithic IC which has P+ isolation in the P substrate and between the various pins.**
 A P-N junction is formed from this P layer and the N layer of each pin. For example, when a resistor and a transistor is connected to a pin. Parasitic diodes can occur inevitably in the structure of the IC. The operation of parasitic diodes can result in mutual interference among circuits as well as operation faults and physical damage. Accordingly, you must not use methods by which parasitic diodes operate, such as applying a voltage that is lower than the GND. (P substrate) voltage to an input pin. Please make sure all pins which is over GND even if include transient feature.

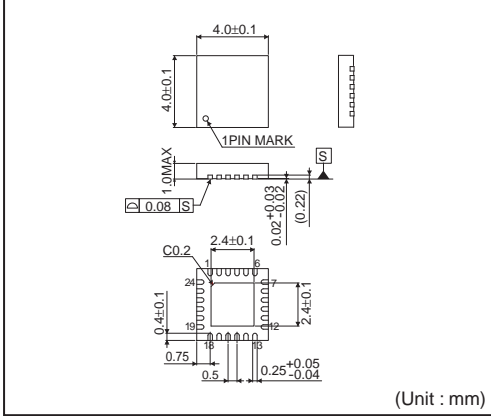


- Over current protection circuit**
 The over-current protection circuits are built in at output, according to their respective current outputs and prevent the IC from being damaged when the load is short-circuited or over-current. But, these protection circuits are effective for preventing destruction by unexpected accident. When it's in continuous protection circuit moving period don't use please. And for ability, because this chip has minus characteristic, be careful for heat plan.
- Built-in thermal circuit**
 A temperature control circuit is built in the IC to prevent the damage due to overheat. Therefore, all the outputs are turned off when the thermal circuit works and are turned on when the temperature goes down to the specified level.
- Testing on application boards**
 When testing the IC on an application board, connecting a capacitor to a pin with low impedance subjects the IC to stress. Always discharge capacitors after each process or step. Ground the IC during assembly steps as an antistatic measure, and use similar caution when transporting or storing the IC. Always turn the IC's power supply off before connecting it to or removing it from a jig or fixture during the inspection process.

●Ordering part number

B	D	8	1	8	4	M	U	V	-	E	2
Part No.		Part No.				Package MUV:VQFN024V4040			Packaging and forming specification E2: Embossed tape and reel		

VQFN024V4040



<Tape and Reel information>

Tape	Embossed carrier tape
Quantity	2500pcs
Direction of feed	E2 (The direction is the 1pin of product is at the upper left when you hold reel on the left hand and you pull out the tape on the right hand)

Reel

1pin

Direction of feed

* Order quantity needs to be multiple of the minimum quantity.

Not Recommended for New Design

Notice

Precaution on using ROHM Products

- Our Products are designed and manufactured for application in ordinary electronic equipments (such as AV equipment, OA equipment, telecommunication equipment, home electronic appliances, amusement equipment, etc.). If you intend to use our Products in devices requiring extremely high reliability (such as medical equipment ^(Note 1), transport equipment, traffic equipment, aircraft/spacecraft, nuclear power controllers, fuel controllers, car equipment including car accessories, safety devices, etc.) and whose malfunction or failure may cause loss of human life, bodily injury or serious damage to property ("Specific Applications"), please consult with the ROHM sales representative in advance. Unless otherwise agreed in writing by ROHM in advance, ROHM shall not be in any way responsible or liable for any damages, expenses or losses incurred by you or third parties arising from the use of any ROHM's Products for Specific Applications.

(Note1) Medical Equipment Classification of the Specific Applications

JAPAN	USA	EU	CHINA
CLASS III	CLASS III	CLASS II b	CLASS III
CLASS IV		CLASS III	

- ROHM designs and manufactures its Products subject to strict quality control system. However, semiconductor products can fail or malfunction at a certain rate. Please be sure to implement, at your own responsibilities, adequate safety measures including but not limited to fail-safe design against the physical injury, damage to any property, which a failure or malfunction of our Products may cause. The following are examples of safety measures:
 - Installation of protection circuits or other protective devices to improve system safety
 - Installation of redundant circuits to reduce the impact of single or multiple circuit failure
- Our Products are designed and manufactured for use under standard conditions and not under any special or extraordinary environments or conditions, as exemplified below. Accordingly, ROHM shall not be in any way responsible or liable for any damages, expenses or losses arising from the use of any ROHM's Products under any special or extraordinary environments or conditions. If you intend to use our Products under any special or extraordinary environments or conditions (as exemplified below), your independent verification and confirmation of product performance, reliability, etc. prior to use, must be necessary:
 - Use of our Products in any types of liquid, including water, oils, chemicals, and organic solvents
 - Use of our Products outdoors or in places where the Products are exposed to direct sunlight or dust
 - Use of our Products in places where the Products are exposed to sea wind or corrosive gases, including Cl₂, H₂S, NH₃, SO₂, and NO₂
 - Use of our Products in places where the Products are exposed to static electricity or electromagnetic waves
 - Use of our Products in proximity to heat-producing components, plastic cords, or other flammable items
 - Sealing or coating our Products with resin or other coating materials
 - Use of our Products without cleaning residue of flux (even if you use no-clean type fluxes, cleaning residue of flux is recommended); or Washing our Products by using water or water-soluble cleaning agents for cleaning residue after soldering
 - Use of the Products in places subject to dew condensation
- The Products are not subject to radiation-proof design.
- Please verify and confirm characteristics of the final or mounted products in using the Products.
- In particular, if a transient load (a large amount of load applied in a short period of time, such as pulse. is applied, confirmation of performance characteristics after on-board mounting is strongly recommended. Avoid applying power exceeding normal rated power; exceeding the power rating under steady-state loading condition may negatively affect product performance and reliability.
- De-rate Power Dissipation (Pd) depending on Ambient temperature (Ta). When used in sealed area, confirm the actual ambient temperature.
- Confirm that operation temperature is within the specified range described in the product specification.
- ROHM shall not be in any way responsible or liable for failure induced under deviant condition from what is defined in this document.

Precaution for Mounting / Circuit board design

- When a highly active halogenous (chlorine, bromine, etc.) flux is used, the residue of flux may negatively affect product performance and reliability.
- In principle, the reflow soldering method must be used; if flow soldering method is preferred, please consult with the ROHM representative in advance.

For details, please refer to ROHM Mounting specification

Precautions Regarding Application Examples and External Circuits

1. If change is made to the constant of an external circuit, please allow a sufficient margin considering variations of the characteristics of the Products and external components, including transient characteristics, as well as static characteristics.
2. You agree that application notes, reference designs, and associated data and information contained in this document are presented only as guidance for Products use. Therefore, in case you use such information, you are solely responsible for it and you must exercise your own independent verification and judgment in the use of such information contained in this document. ROHM shall not be in any way responsible or liable for any damages, expenses or losses incurred by you or third parties arising from the use of such information.

Precaution for Electrostatic

This Product is electrostatic sensitive product, which may be damaged due to electrostatic discharge. Please take proper caution in your manufacturing process and storage so that voltage exceeding the Products maximum rating will not be applied to Products. Please take special care under dry condition (e.g. Grounding of human body / equipment / solder iron, isolation from charged objects, setting of ionizer, friction prevention and temperature / humidity control).

Precaution for Storage / Transportation

1. Product performance and soldered connections may deteriorate if the Products are stored in the places where:
 - [a] the Products are exposed to sea winds or corrosive gases, including Cl₂, H₂S, NH₃, SO₂, and NO₂
 - [b] the temperature or humidity exceeds those recommended by ROHM
 - [c] the Products are exposed to direct sunshine or condensation
 - [d] the Products are exposed to high Electrostatic
2. Even under ROHM recommended storage condition, solderability of products out of recommended storage time period may be degraded. It is strongly recommended to confirm solderability before using Products of which storage time is exceeding the recommended storage time period.
3. Store / transport cartons in the correct direction, which is indicated on a carton with a symbol. Otherwise bent leads may occur due to excessive stress applied when dropping of a carton.
4. Use Products within the specified time after opening a humidity barrier bag. Baking is required before using Products of which storage time is exceeding the recommended storage time period.

Precaution for Product Label

QR code printed on ROHM Products label is for ROHM's internal use only.

Precaution for Disposition

When disposing Products please dispose them properly using an authorized industry waste company.

Precaution for Foreign Exchange and Foreign Trade act

Since our Products might fall under controlled goods prescribed by the applicable foreign exchange and foreign trade act, please consult with ROHM representative in case of export.

Precaution Regarding Intellectual Property Rights

1. All information and data including but not limited to application example contained in this document is for reference only. ROHM does not warrant that foregoing information or data will not infringe any intellectual property rights or any other rights of any third party regarding such information or data. ROHM shall not be in any way responsible or liable for infringement of any intellectual property rights or other damages arising from use of such information or data.:
2. No license, expressly or implied, is granted hereby under any intellectual property rights or other rights of ROHM or any third parties with respect to the information contained in this document.

Other Precaution

1. This document may not be reprinted or reproduced, in whole or in part, without prior written consent of ROHM.
2. The Products may not be disassembled, converted, modified, reproduced or otherwise changed without prior written consent of ROHM.
3. In no event shall you use in any way whatsoever the Products and the related technical information contained in the Products or this document for any military purposes, including but not limited to, the development of mass-destruction weapons.
4. The proper names of companies or products described in this document are trademarks or registered trademarks of ROHM, its affiliated companies or third parties.

General Precaution

1. Before you use our Products, you are requested to carefully read this document and fully understand its contents. ROHM shall not be in any way responsible or liable for failure, malfunction or accident arising from the use of any ROHM's Products against warning, caution or note contained in this document.
2. All information contained in this document is current as of the issuing date and subject to change without any prior notice. Before purchasing or using ROHM's Products, please confirm the latest information with a ROHM sales representative.
3. The information contained in this document is provided on an "as is" basis and ROHM does not warrant that all information contained in this document is accurate and/or error-free. ROHM shall not be in any way responsible or liable for any damages, expenses or losses incurred by you or third parties resulting from inaccuracy or errors of or concerning such information.

**Not Recommended for
New Designs**