

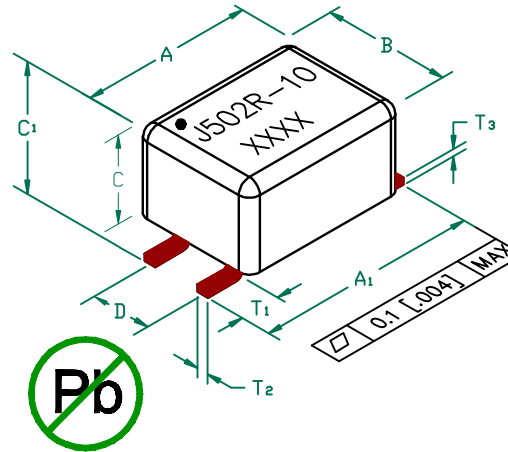
RoHS

# CC2824J502R-10

**UNCONTROLLED DOCUMENT**

ELECTRICAL SPECIFICATION @ 25°C  
OPERATING TEMPERATURE RANGE: -40°C TO +125°C

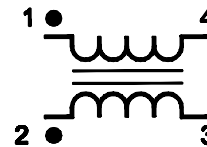
PARAMETER SYMBOL	TEST LEADS	CONDITIONS	REQUIREMENTS		
			MIN	TYP	MAX
Lp (μH)	1-4/2-3	@ 100KHz/ 10mV	3.5	5	6.5
L LEAKAGE (μH)	1-4 (s' 2-3)	@ 100KHz/ 10mV		0.05	
TRP			1 : 1 +/- 5%		
DCR(Ω)	1-4/2-3			0.10	0.13
Hi-pot	wdg-wdg	(Vac) .5mA, 2sec.	250		
RATED CURRENT (mA)					1200
RATED VOLTAGE (Vdc)					80



**PHYSICAL DIMENSIONS:**

A	7.50 [.295]	+	MAX.
A <sub>1</sub>	9.00 [.354]	+	0.40 [.016]
B	5.50 [.217]	+	MAX.
C	3.80 [.150]	+	MAX.
C <sub>1</sub>	4.90 [.193]	+	MAX.
D	2.54 [.100]	+	0.10 [.004]
T <sub>1</sub>	1.75 [.069]	+	TYP.
T <sub>2</sub>	0.50 [.020]	+	0.10 [.004]
T <sub>3</sub>	0.30 [.012]	+	0.10 [.004]

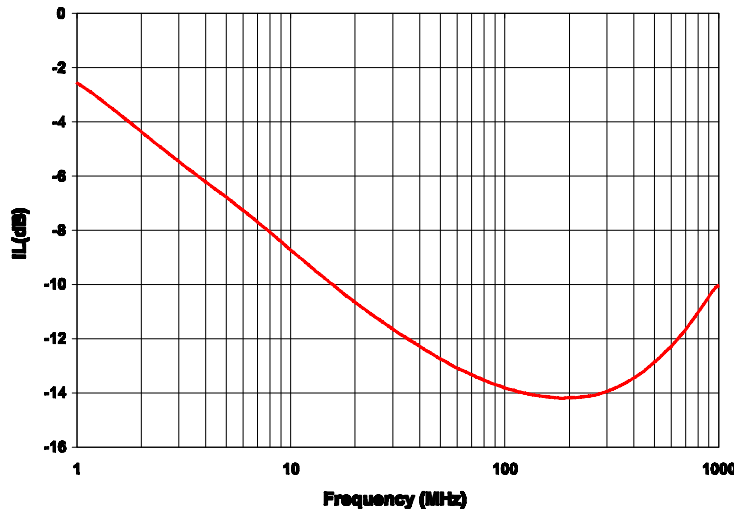
WEIGHT/1000 0.28 kgs [.62 Lbs]



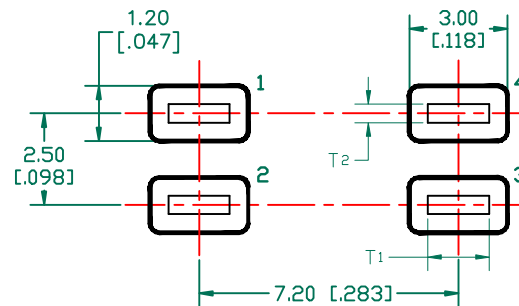
NOTES: UNLESS OTHERWISE SPECIFIED

1. TAPED AND REELED ON 13" REELS, 1500 PCS/REEL.
2. OPEN BOTTOM CONSTRUCTION.

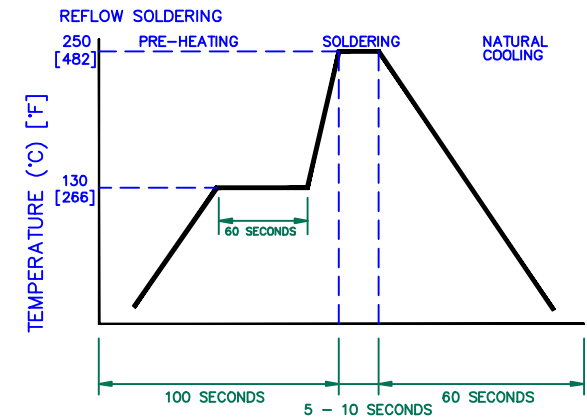
Typical Insertion Loss @ 50 ohm



**LAND PATTERNS FOR REFLOW SOLDERING**



**RECOMMENDED SOLDERING CONDITIONS**



DIMENSIONS ARE IN mm [INCHES].				This print is the property of Laird Tech. and is loaned in confidence subject to return upon request and with the understanding that no copies shall be made without the written consent of Laird Tech. All rights to design or invention are reserved.			
E	ADD RATING VOLTAGE	07/25/13	QIU	PROJECT/PART NUMBER:	REV	PART TYPE:	DRAWN BY:
D	CHANGE THE INDUCTANCE TEST VOLTAGE	03/11/10	JUN	CC2824J502R-10	E	ASSEMBLY	JRK
C	UPDATE COMPANY LOGO	04/24/09	JRK	DATE:	SCALE:	NTS	SHEET:
B	UPDATE COMPANY LOGO	05/10/07	JRK	06/09/05			
A	ORIGINAL DRAFT	06/09/05	JRK	CAD #	TOOL #		1 of 1
REV	DESCRIPTION	DATE	INT	CC2824J502R-10-E			